

# INSTALLATION INSTRUCTIONS FOR LAMP KIT, 8700E OR 9100A/7500A

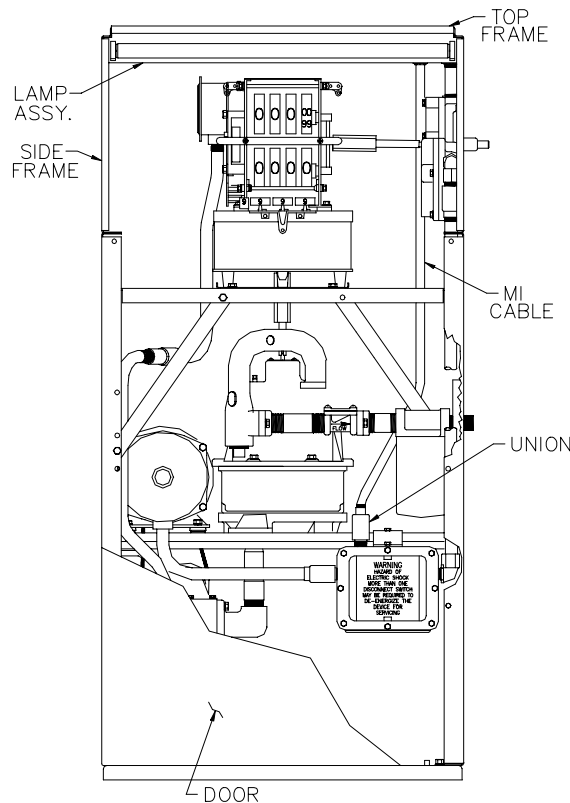
This instruction sheet details the steps required to install the lamp kit for your 8700E or 9100A/7500A unit. The available kits are listed below: Be sure to follow all warnings and safeguards as outlined in the enclosed *Warnings and Safeguards* sheet before working on the unit.

- 032122 220V/50 Hz 8700E/9100A/7500A
- 032123 220V/60 Hz 8700E/9100A/7500A
- 032124 120V/60 Hz 8700E/9100A/7500A
- 032125 220V/50 Hz. 8700ETW/9100ATW/7500ATW
- 032126 220V/60 Hz. 8700ETW/9100ATW/7500ATW
- 032127 120V/60 Hz. 8700ETW/9100ATW/7500ATW

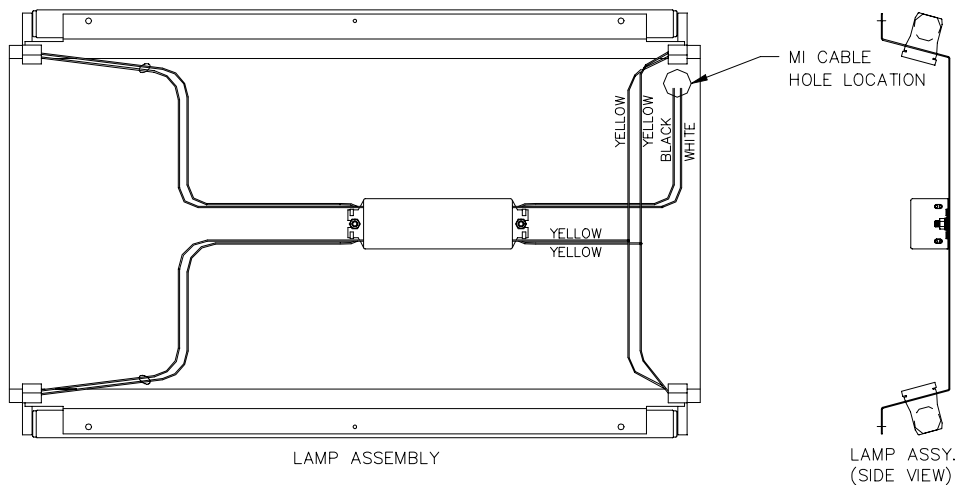
## KIT CONTENTS

Kit Contents	032122	032123	032124	032125	032126	032127
033456 Lamp Assy.	1	-	-	-	-	-
033461 Lamp Assy.	-	1	-	-	-	-
033455 Lamp Assy.	-	-	1	-	-	-
033458 Lamp Assy.	-	-	-	1	-	-
033460 Lamp Assy.	-	-	-	-	1	-
033454 Lamp Assy.	-	-	-	-	-	1
021433 Cable MI	1	1	1	1	1	1
068816 Washer 3/4 to 1/2" Conduit	2	2	2	2	2	2
039130 Nut, 1/2" Conduit	2	2	2	2	2	2
066400 Union, Conduit	1	1	1	1	1	1
021732 Connector, Wire 18AWG	2	2	2	2	2	2
Z09273 Nut, Hex 10-32	2	2	2	2	2	2

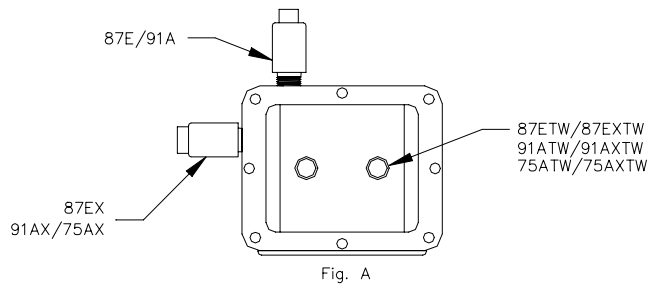
Refer to the diagram below for an overview. Turn sheet over for detailed instructions.



1. Remove front and rear doors.
2. Remove front and rear bezels by unfastening 4 bezel screws (2 per side).
3. Remove 4 nuts that secure the top cover and remove cover.
4. Remove the 6 nuts that secure the top frame and remove the top frame.



5. Install lamp assembly to top frame with 2 new Z09273 nuts.
6. Using 6 existing nuts, reinstall top frame/lamp assembly. *NOTE: MI cable hole location should be on AC J-box side.*
7. Install flexible MI cable to AC J-box with 066400 union. *See Figure A for the appropriate location for your application.*
8. Install other end of MI cable to lamp assembly with 068816 washer and 039130 nut. Assemble nut and washer on both top and bottom of lamp assembly.



9. Connect wires from MI cable to lamp bracket assembly with wire connectors (white to white, black to black).
10. Connect wires from MI cable to hot and neutral feed in AC J-box. Installer must ensure that electrical rating of the lamp assembly corresponds to the electrical supply. Refer to the *Installation/Operation Manual* for your model pump for other pertinent wiring information.
11. Verify that lights work.
12. Reinstall top cover with existing 4 nuts.
13. Reinstall bezels and doors.