

Introduction

Purpose

This document provides instructions to install the Large Paper Roll Spindle (M12767B001) for use with a 6" Printer Paper Roll.

Table of Contents

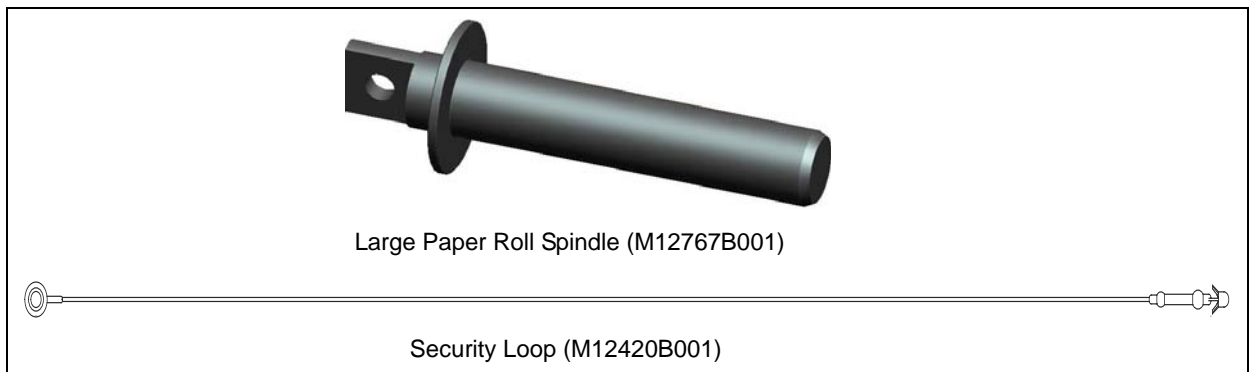
Topic	Page
Introduction	1
Installing the Large Paper Roll Spindle (M12767B001) for 6" Printer Paper Roll	2

Parts List

Following table lists the parts required to install the Large Paper Roll Spindle (M12767B001) for use with a 6" printer paper roll.

Item	Description	Part Number	Quantity
1	Large Paper Roll Spindle	M12767B001	2
2	Security Loop	M12420B001	2

Figure 1: Kit Parts

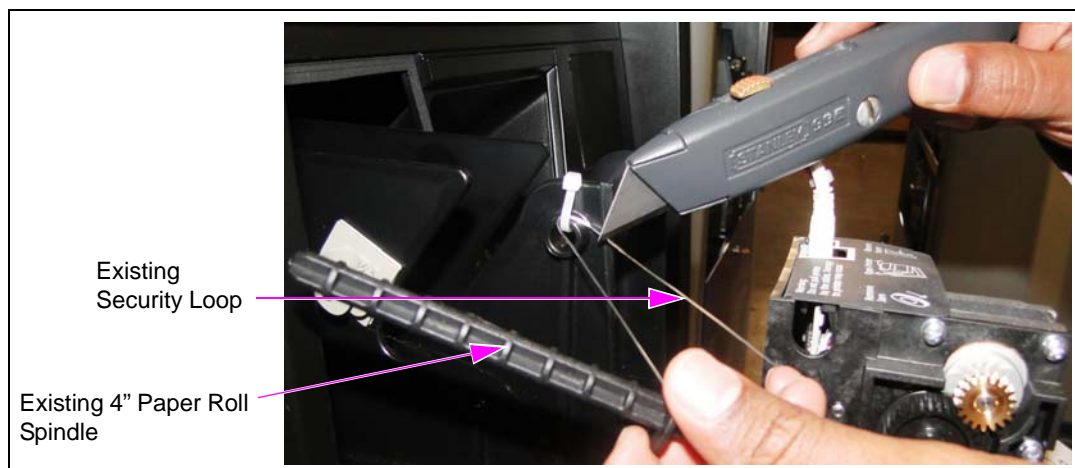


Installing the Large Paper Roll Spindle (M12767B001) for 6" Printer Paper Roll

To install the Large Paper Roll Spindle (M12767B001) for use with a 6" Printer Paper Roll, proceed as follows:

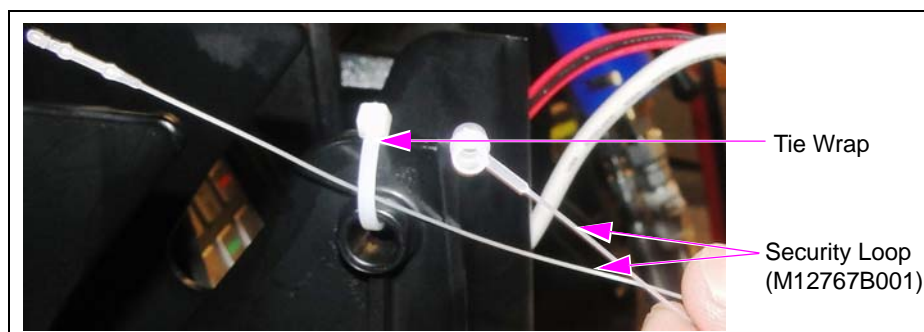
- 1 Unlock and open the Dispenser's Printer Door.
- 2 Pull out the Printer assembly.
- 3 Remove the existing Paper Roll Spindle from the Spooling Slot.
- 4 Cut the existing Security Loop which secures the existing Paper Roll Spindle to the Printer Bracket as shown in [Figure 2](#).

Figure 2: Cutting the Existing Security Loop



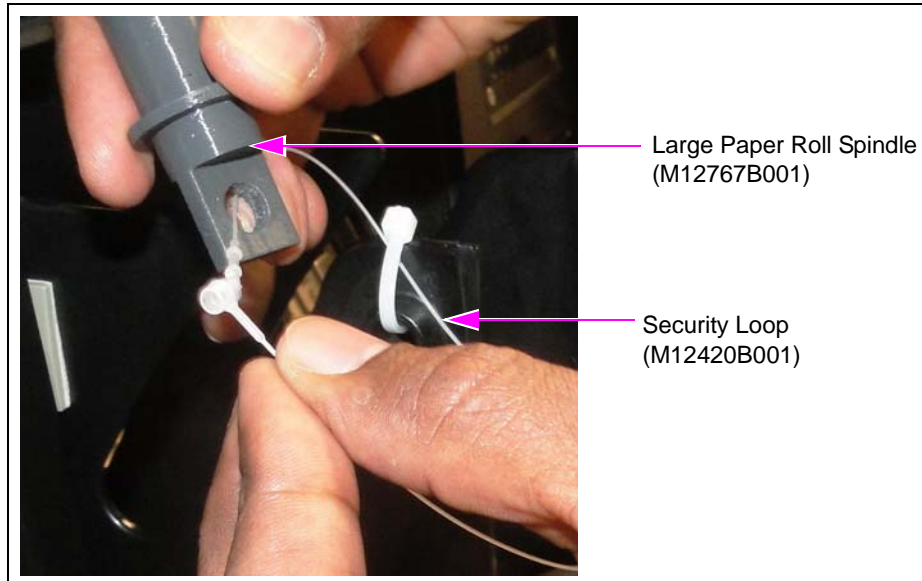
- 5 Remove and retain the existing Paper Roll spindle for future use with a 4" Paper Roll, if required.
- 6 Secure the new Security Loop (M12420B001) to the Printer Bracket using a Tie-Wrap as shown in [Figure 3](#).

Figure 3: Securing the Security Loop



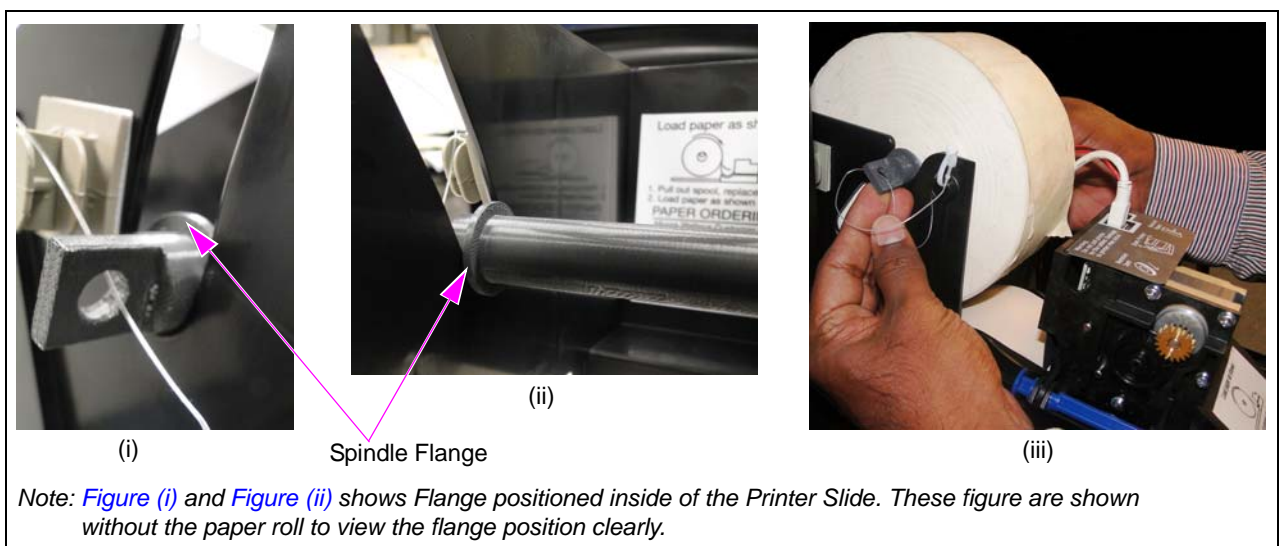
- 7 Insert the new Security Loop (M12420B001) to the new Large Paper Roll Spindle (M12767B001) and lock the Loop as shown in [Figure 4](#).

Figure 4: Inserting the New Security Loop



- 8 Insert a 6" Paper Roll to the New Large Paper Roll Spindle (M12767B001)
- 9 Install the Large Paper Roll Spindle (M12767B001) onto the Spindle Slot on the Printer as shown in [Figure 5](#).

Figure 5: Installing the Large Paper Roll Spindle (M12767B001) on the Spindle Slot



Note: Ensure that the Spindle Flange is placed between the Paper Roll and inside of the Printer Slide as shown in [Figure 5](#).

