



Introduction

Purpose

This manual provides instructions for the installation of the AST Adapter Kit (M07425K001), for upgrading 9x20 models. This kit is to be used when upgrading from a 9120Q/9820Q model to a 9120K/9820K model, in the same mounting location.

IMPORTANT INFORMATION

Read all instructions before beginning the installation. Ensure that you read and obey all warnings and safeguards as outlined in the [“Important Safety Information” on page 3](#). Before performing any work which may produce sparks (for example, drilling, use of power tools, and so on), place the dispenser at a safe distance from flammable materials.

Table of Contents

Topic	Page
Introduction	1
Purpose	1
Table of Contents	1
Required Tools	1
Parts List	2
Warranty	2
Important Safety Information	3
AST Adapter Kit Installation Instructions for 9x20 Upgrade	5

Required Tools

- Phillips® screwdriver
- Straight blade screwdriver
- Adjustable Wrench

Parts List

The following table lists the parts included in the AST Adapter Kit (M07425K001). Refer to [Figure 1 on page 5](#) to identify these parts.

Item	Description	Part Number	Quantity
1	Adapter Bracket Assembly	M07425A001	2
	• Adapter Bracket	M07425B001	1
	• Stud Metric Clinch, 8 mm	Q12887-50	1
2	M8 Flange Nut	M00414B003	2
3	AST Adapter Kit Installation Instructions for 9x20 Upgrade	MDE-4628	1

Warranty

For information on warranty, refer to MDE-4255 Gasboy®'s Warranty Policy Statement. If you have any warranty-related questions, contact Gasboy's Warranty Department at its Greensboro location.

Important Safety Information

This section introduces the hazards and safety precautions associated with installing, inspecting, maintaining or servicing this product. Before performing any task on this product, read this safety information and the applicable sections in this manual, where additional hazards and safety precautions for your task will be found. Fire, explosion, electrical shock or pressure release could occur and cause death or serious injury if these safe service procedures are not followed.

Preliminary Precautions


You are working in a potentially dangerous environment of flammable fuels, vapors, and high voltage or pressures. Only trained or authorized individuals knowledgeable in the related procedures should install, inspect, maintain or service this equipment.




Emergency Total Electrical Shut-Off

The first and most important information you must know is how to stop all fuel flow to the pump and island. Locate the switch or circuit breakers that shut-off all power to all fueling equipment, dispensing devices, and submerged turbine pumps (STPs).

⚠ WARNING

 The EMERGENCY STOP, ALL STOP, and PUMP STOP buttons at the cashier's station WILL NOT shut off electrical power to the pump/dispenser.

 This means that even if you activate these stops, fuel may continue to flow uncontrolled.

You must use the TOTAL ELECTRICAL SHUT-OFF in the case of an emergency and not only these cashier station "stops."

Total Electrical Shut-Off Before Access

Any procedure requiring access to electrical components or the electronics of the dispenser requires total electrical shut-off of that unit. Know the function and location of this switch or circuit breaker before inspecting, installing, maintaining, or servicing Gasboy equipment.

Evacuation, Barricading and Shut-Off

Any procedures requiring accessing the pump/dispenser or STPs requires the following three actions:



- An evacuation of all unauthorized persons and vehicles using safety tape, cones or barricades to the effected units
- A total electrical shut-off of that unit

Read the Manual

Read, understand and follow this manual and any other labels or related materials supplied with this equipment. If you do not understand a procedure, call a Gasboy Authorized Service Contractor or call the Gasboy Service Center at 1-800-444-5529. It is imperative to your safety and the safety of others to understand the procedures before beginning work.

Follow the Regulations

There is applicable information in NFPA 30A; *Automotive and Marine Service Code*, NFPA 70; *National Electrical Code (NEC)*, OSHA regulations and federal, state, and local codes which must be followed. Failure to install, inspect, maintain or service this equipment in accordance with these codes, regulations and standards may lead to legal citations with penalties or affect the safe use and operation of the equipment.

Replacement Parts

Use only genuine Gasboy replacement parts and retrofit kits on your pump/dispenser. Using parts other than genuine Gasboy replacement parts could create a safety hazard and violate local regulations.

Safety Symbols and Warning Words

This section provides important information about warning symbols and boxes.

Alert Symbol



This safety alert symbol is used in this manual and on warning labels to alert you to a precaution which must be followed to prevent potential personal safety hazards. Obey safety directives that follow this symbol to avoid possible injury or death.

Signal Words

These signal words used in this manual and on warning labels tell you the seriousness of particular safety hazards. The precautions that follow must be followed to prevent death, injury or damage to the equipment



DANGER - This signal word is used to alert you to a hazard to unsafe practice which will result in death or serious injury



WARNING - This alerts you to a hazard or unsafe practice that could result in death or serious injury.



CAUTION with Alert symbol - This signal word designates a hazard or unsafe practice which may result in minor injury.

CAUTION without Alert symbol - When used by itself, CAUTION designates a hazard or unsafe practice which may result in property or equipment damage.

Working With Fuels and Electrical Energy

Prevent Explosions and Fires

Fuels and their vapors will become explosive if ignited. Spilled or leaking fuels cause vapors. Even filling customer tanks will cause explosive vapors in the vicinity of dispenser or island.

Important Safety Information

No Open Flames



Open flames from matches, lighters, welding torches or other sources can ignite fuels and their vapors.



No Sparks - No Smoking

Sparks from starting vehicles, starting or using power tools, burning cigarettes, cigars or pipes can also ignite fuels and their vapors. Static electricity, including an electrostatic charge on your body, can cause a spark sufficient to ignite fuels and their vapors. After getting out of a vehicle, touch the metal of your vehicle to discharge any electrostatic charge before you approach the dispenser island.

Working Alone

It is highly recommended that someone who is capable of rendering first aid be present during servicing. Be familiar with Cardiopulmonary Resuscitation (CPR) methods if you are working with or around high voltages. This information is available from the American Red Cross. Always advise the station personnel about where you will be working, and caution them not to activate power while you are working on the equipment. Use the OSHA tag out and lock out procedures. If you are not familiar with this requirement, refer to information in the service manual and OSHA documentation.

Working With Electricity Safely

Be sure to use safe and established practices in working with electrical devices. Poorly wired devices may cause a fire, explosion or electrical shock. Be sure grounding connections are properly made. Make sure that sealing devices and compounds are in place. Be sure not to pinch wires when replacing covers. Follow OSHA Lock-Out and Tag-Out requirements. Station employees and service contractors need to understand and comply with this program completely to ensure safety while the equipment is down.

Hazardous Materials

Some materials present inside electronic enclosures may present a health hazard if not handled correctly. Be sure to clean hands after handling equipment. Do not place any equipment in mouth.

WARNING

This area contains a chemical known to the State of California to cause cancer.

WARNING

This area contains a chemical known to the State of California to cause birth defects or other reproductive harm.

IMPORTANT: Oxygen may be needed at scene if gasoline has been ingested or inhaled. Seek medical advice immediately.

Emergency First Aid

Informing Emergency Personnel

- Compile the following information for emergency personnel:
 - Location of accident (for example, address, front/back of building, and so on.)
 - Nature of accident (for example, possible heart attack, run over by car, burns, and so on.)
 - Age of victim (for example, baby, teenager, middle-age, elderly.)
 - Whether or not victim has received first aid (for example, stopped bleeding by pressure, and so on.)
 - Whether or not a victim has vomited (for example, if swallowed or inhaled something, and so on.)

WARNING



Gasoline ingested may cause unconsciousness and burns to internal organs.

Do not induce vomiting.
Keep airway open.
Oxygen may be needed at scene.
Seek medical advice immediately.

WARNING



Gasoline inhaled may cause unconsciousness and burns to lips, mouth and lungs.

Keep airway open.
Seek medical advice immediately.

WARNING



Gasoline spilled in eyes may cause burns to eye tissue.

Irrigate eyes with water for approximately 15 minutes.
Seek medical advice immediately

WARNING



Gasoline spilled on skin may cause burns.

Wash area thoroughly with clear/water.
Seek medical advice immediately.

IMPORTANT: Oxygen may be needed at scene if gasoline has been ingested or inhaled. Seek medical advice immediately.

Lockout/Tagout

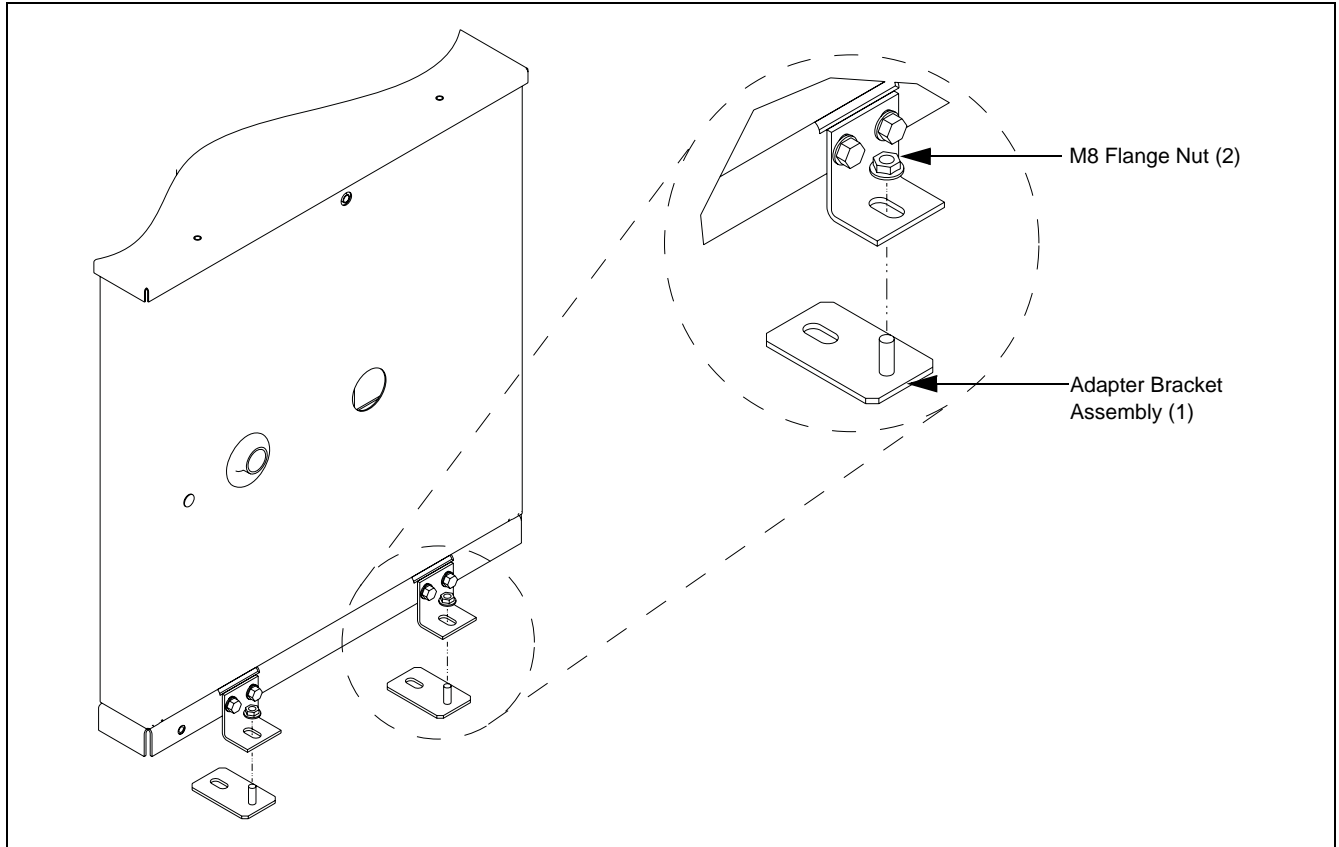
Lockout/Tagout covers servicing and maintenance of machines and equipment in which the unexpected energization or start up of the machine(s) or equipment or release of stored energy could cause injury to employees or personnel. Lockout/Tagout applies to all mechanical, hydraulic, chemical or other energy, but does not cover electrical hazards. Reference Subpart S of 29 CFR Part 1910 - Electrical Hazards, 29 CFR Part 1910.333 contains specific Lockout/Tagout provision for electrical hazards.

AST Adapter Kit Installation Instructions for 9x20 Upgrade

To install the AST Adapter Kit for 9x20 models, proceed as follows:

- 1 Remove the existing pumping unit.
- 2 Install the adapter on one side of the pumping unit using two adapter brackets and two M8 flange nuts, as shown in the figure below.

Figure 1: AST Adapter Kit Installation



The installation of the AST Adapter Kit is complete.

Gasboy® is a registered trademark of Gilbarco Inc. Phillips® is a registered trademark of The Phillips Screw Co.



© 2006 GASBOY
7300 West Friendly Avenue • Post Office Box 22087
Greensboro, North Carolina 27420
Phone 1-800-444-5529 • <http://www.gasboy.com> • Printed in the U.S.A.
MDE-4628 AST Adapter Kit Installation Instructions • December 2006