

The Advantage® MPD® and Optimum™ Pumps

Related Manuals

MDE-2833	Pump and Dispenser Site Preparation
MDE-3116	Distribution Box Installation Manual
MDE-2755	STP Isolation Relay Box Installation Manual

Available Models and Weights

Models	Description	Weight
B12	MPD 2-grade (single-sided)	1020 lbs./459 kgs.
B13	2-grade (two-sided)	
B14	3-grade (single-sided)	
B15	3-grade (two-sided)	
B17	4-grade (two-sided)	
BG4	Optimum 3-grade (single-sided)	
BG5	3-grade (two-sided)	
BP4	3-grade single-hose (single-sided)	
BP5	3-grade single-hose (two-sided)	

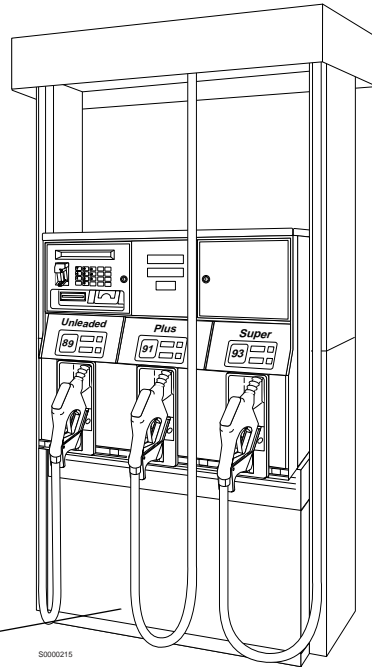
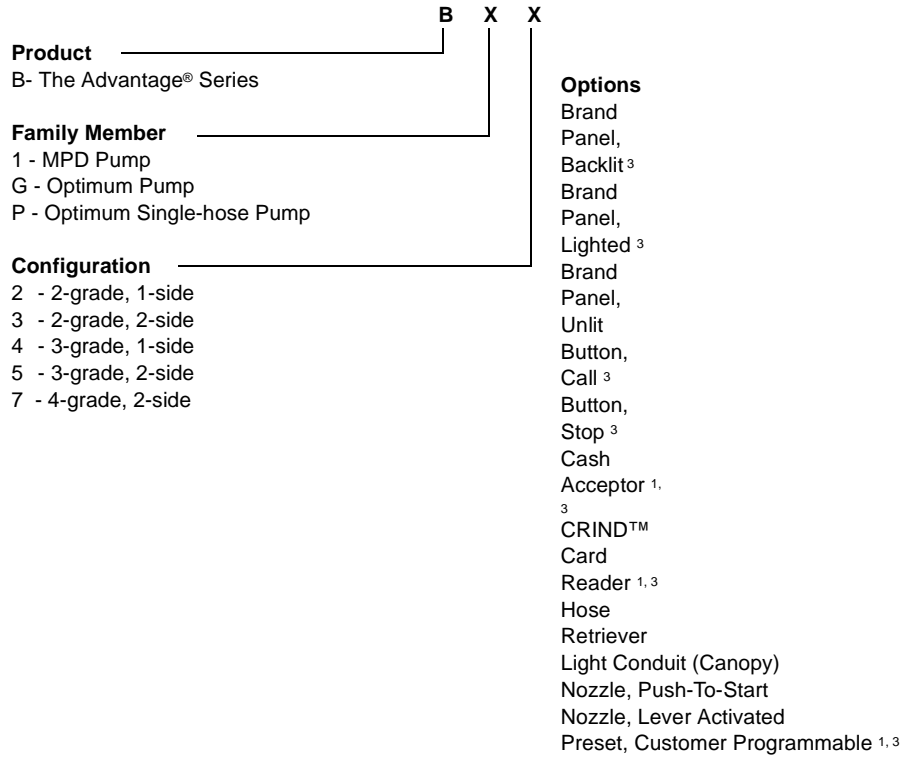
Load Table

Field Wiring Diagram (Attached)	Number of Grades	Voltage Rating
FE-286	2/3	110/120VAC and 220/240VAC Single phase
FE-284	2/3	240/380VAC Three phase
FE-338	4	110/120 VAC and 220/240VAC Single phase
FE-337	4	240/380VAC Three phase

Operating Environment

Environment	Range
Relative humidity	20% to 95% non-condensing
Minimum outside ambient temperature	-22°F (-30°C)
Maximum outside ambient temperature	131°F (55°C)

Model Number Breakdown



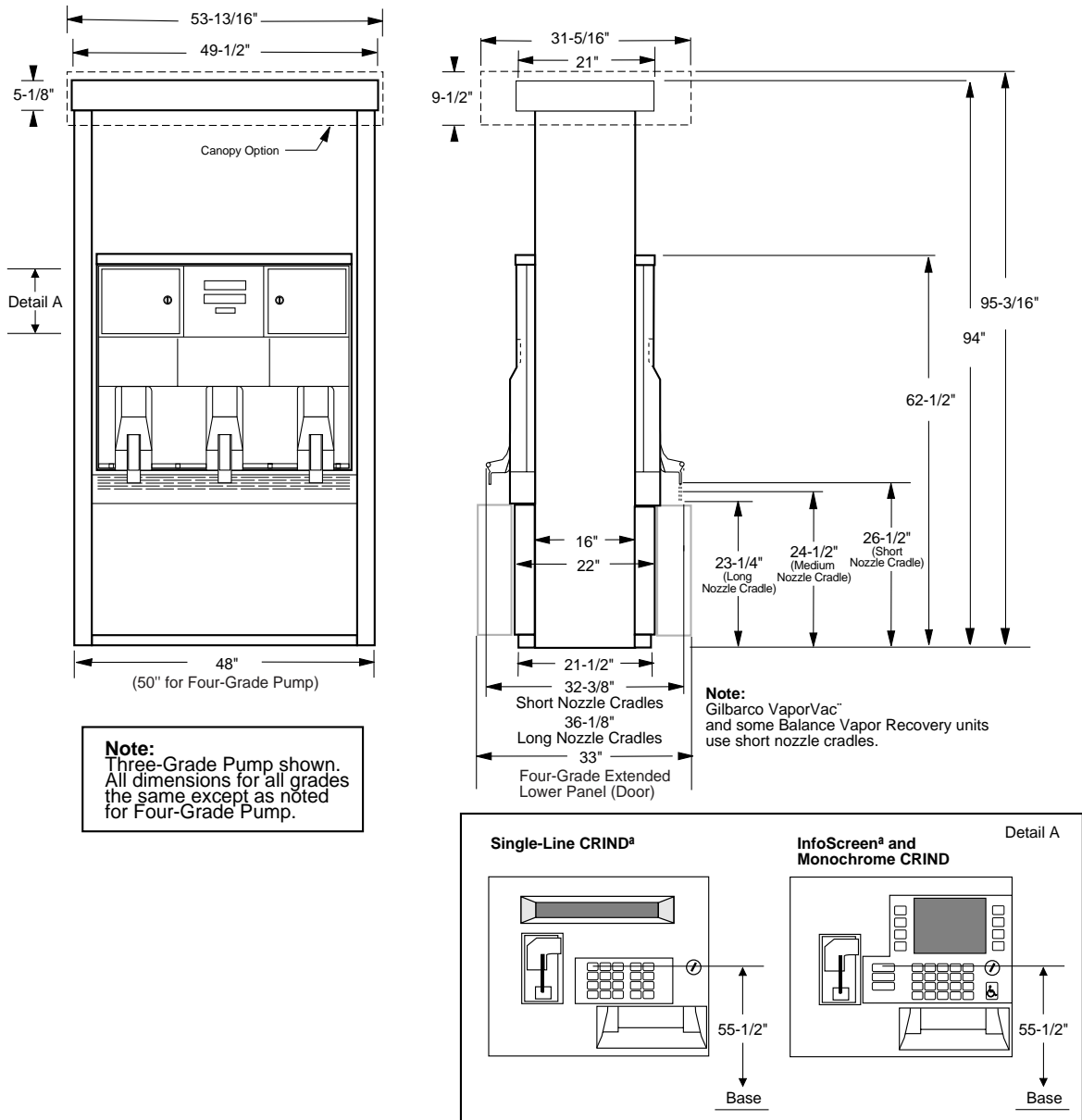
Model number plate

Advantage MPD shown

Options <input checked="" type="checkbox"/> Full Vapor <input type="checkbox"/> Meter.com <input type="checkbox"/> Vapor Ready <input checked="" type="checkbox"/> U.S. Gall Tots <input checked="" type="checkbox"/> Lever Activate <input type="checkbox"/> Metric Tots <input type="checkbox"/> Button Activate <input type="checkbox"/> Exact / Mech Tots <input type="checkbox"/> CRIND <input checked="" type="checkbox"/> Cash/Credit <input type="checkbox"/> Pump Preset				Model No. B05
		MFG. BY GILBARCO, INC. GREENSBORO, N.C. U.S.A. For use with equipment specified in installation instructions.		Serial No. DX PA001020
 Underwriters Laboratories Inc. LISTED		Power Operated Dispensing Device For Flammable Liquids.		No. _____

Elevation Diagram • Models B02, B03, B14, B15 and B17

(The Advantage MPD® Two-Grade, Three-Grade and Four-Grade Pumps)



Screening Specifications

Lower Doors

Overall: 22.94" H x 49.74" W
 Front Surface: 19.94" H x 42.25" W

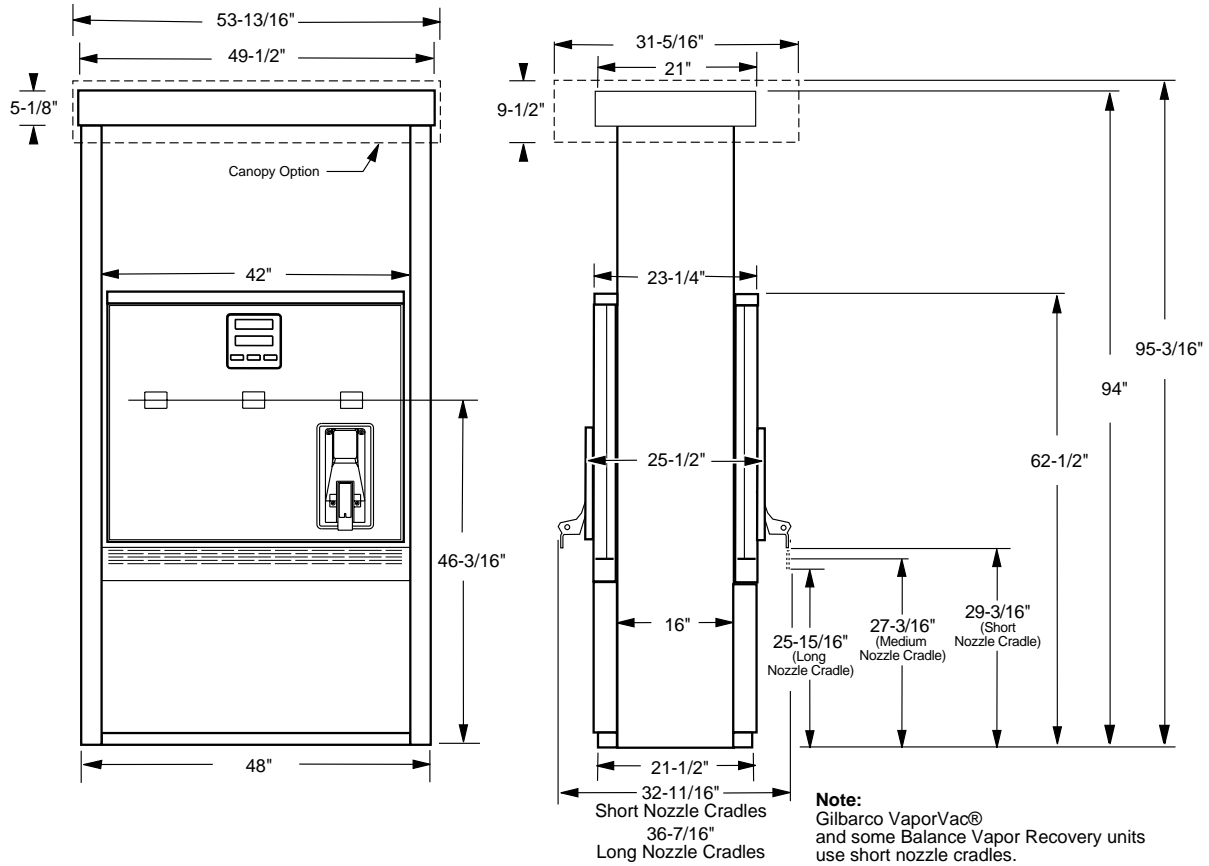
Canopy Option

Front Surface: 9.5" H x 53.81" W
 Side Surface: 9.5" H x 31.31" W

TD000134

Elevation Diagram • Models BG4, BG5, BP4 and BP5

(Optimum™ Three-Grade Pump)



Screening Specifications

Lower Doors

Overall: 22.94" H x 49.74" W
Front Surface: 19.94" H x 42.25" W

Canopy Option

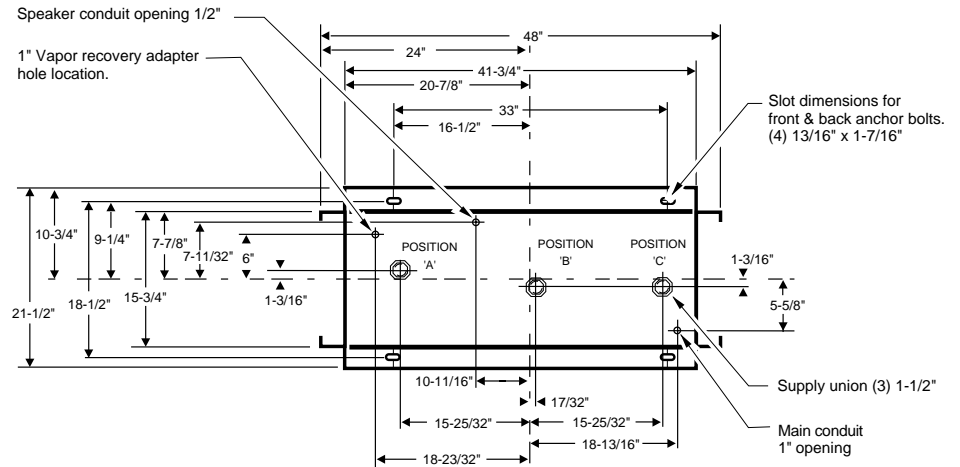
Front Surface: 9.5" H x 53.81" W
Side Surface: 9.5" H x 31.31" W

S0000216

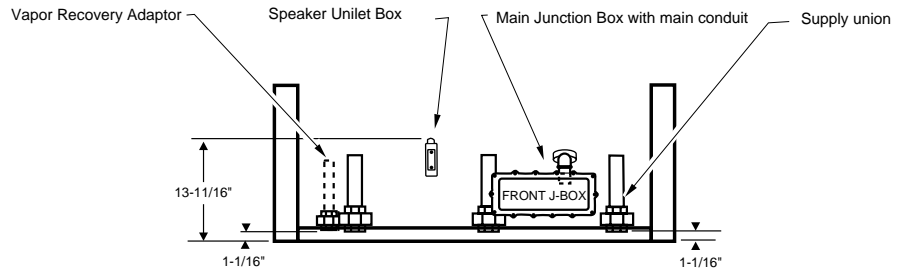
Foundation Diagrams • Models B02, B03, B14, B15, BG4, BG5, BP4 and BP5

(The Advantage MPD® Two-Grade and Three-Grade Pumps, and Optimum™ Three-Grade and Single-Hose Pumps

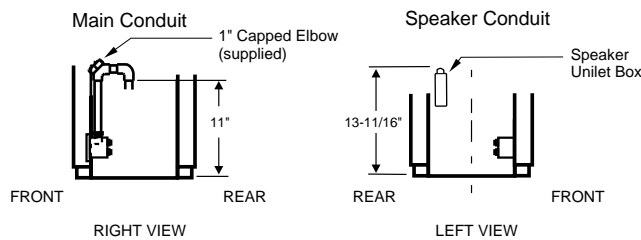
TOP VIEW



FRONT VIEW



SIDE VIEW OF COLUMN



PRODUCT INLET LOCATIONS

THREE-GRADE, THREE-GRADE SINGLE-HOSE

A	INLET FROM TANK A
B	INLET FROM TANK B
C	INLET FROM TANK C
POSITION	FUNCTION

3-GRADE, 3-HOSE - B14, BG4
 3-GRADE, 6-HOSE - B15, BG5
 3-GRADE, 1-HOSE - BP4
 3-GRADE, 2-HOSE - BP5

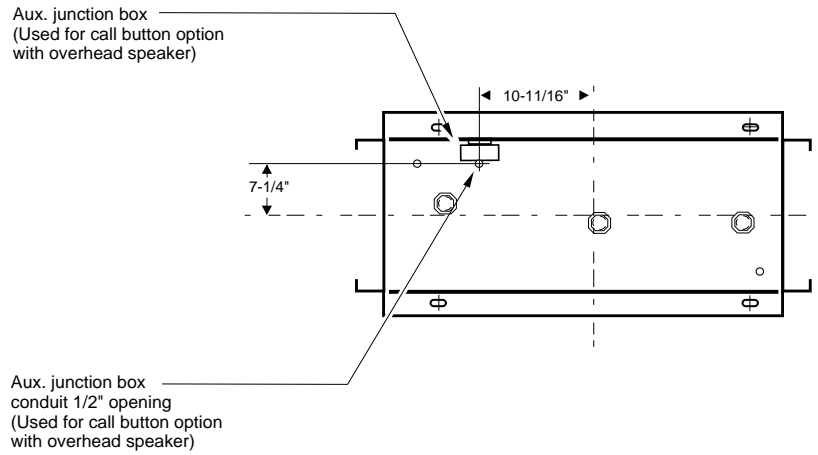
TWO-GRADE

A	INLET FROM TANK A
B	NOT USED
C	INLET FROM TANK C
POSITION	FUNCTION

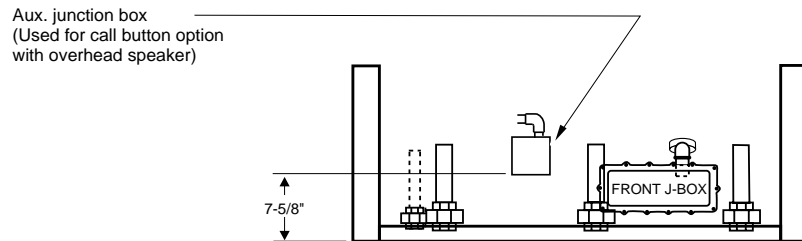
2-GRADE, 2-HOSE - B02
 2-GRADE, 4-HOSE - B03

S0000217

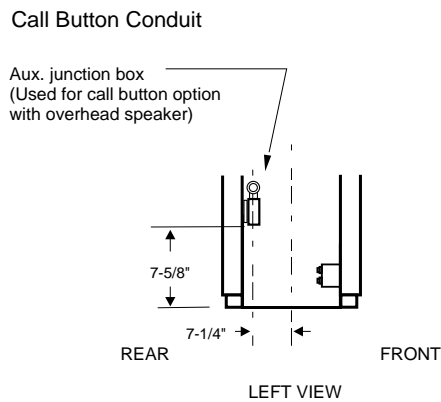
TOP VIEW



FRONT VIEW



SIDE VIEW OF COLUMN



S0000218

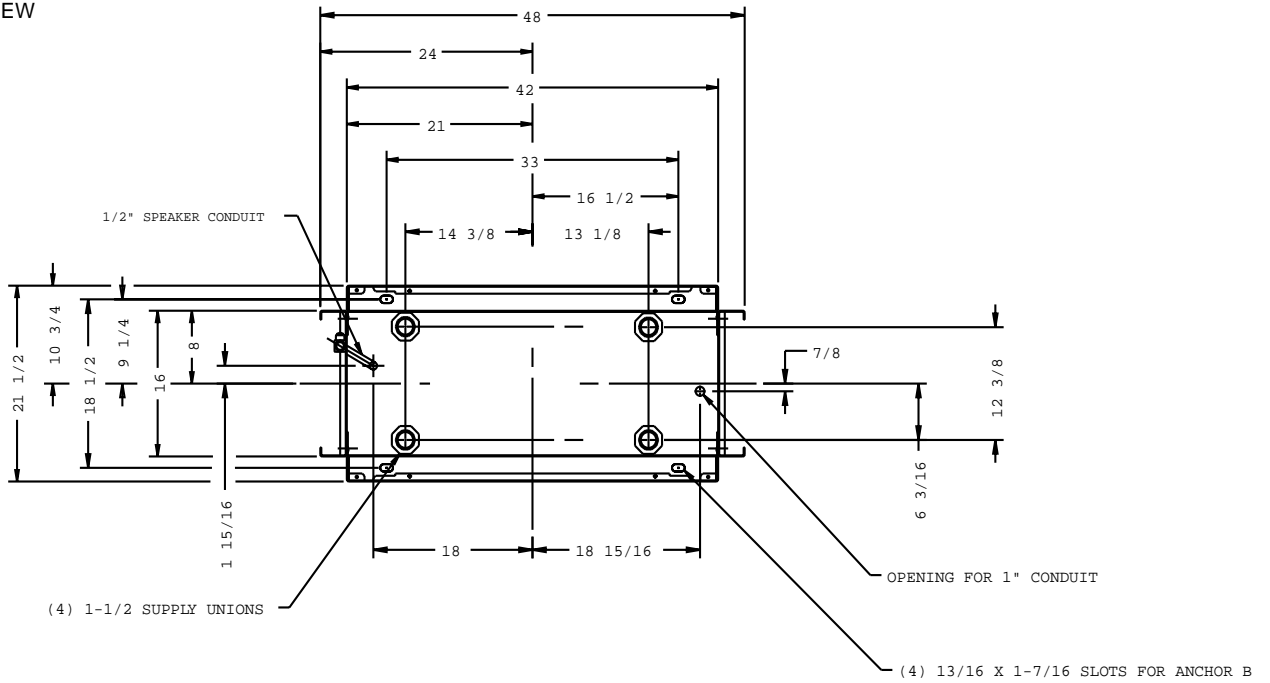
Note: Call Button option not available on Optimum™ models.

Foundation Diagrams • Model B17

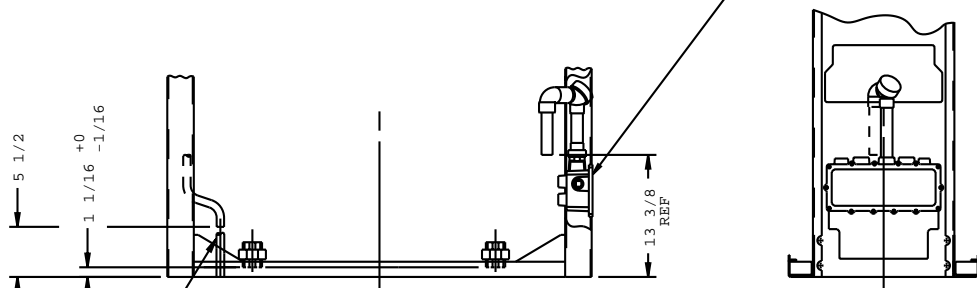
The Advantage MPD® Four-Grade Pump

Note: All dimensions in inches.

TOP VIEW



POWER JUNCTION BOX



INSTALLER'S 1/2" SPEAKER CONDUIT
(FOR OVERHEAD SPEAKER)

