

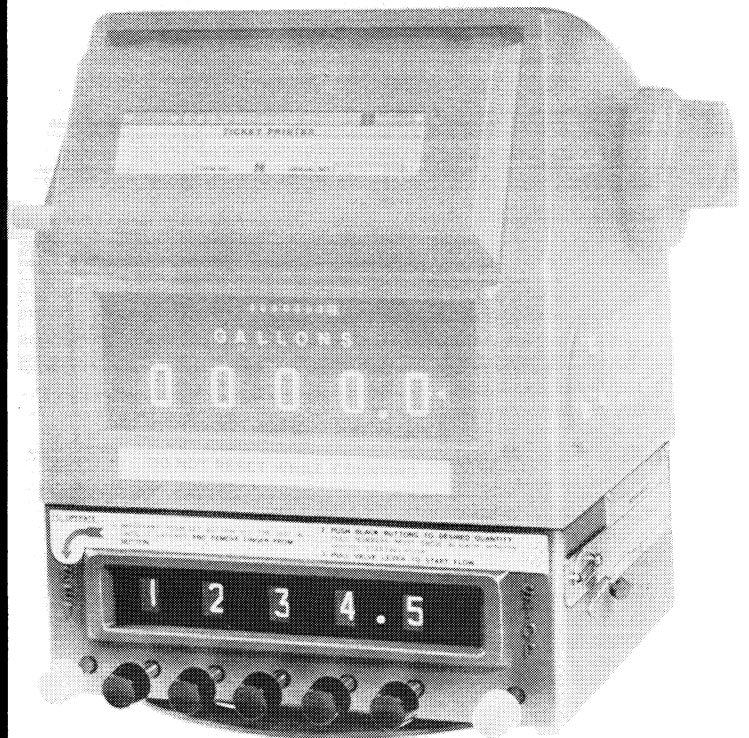
Parts List

Technical
8-020
Issued: 1/97
Supersedes: 2/96

251289
Rev. C

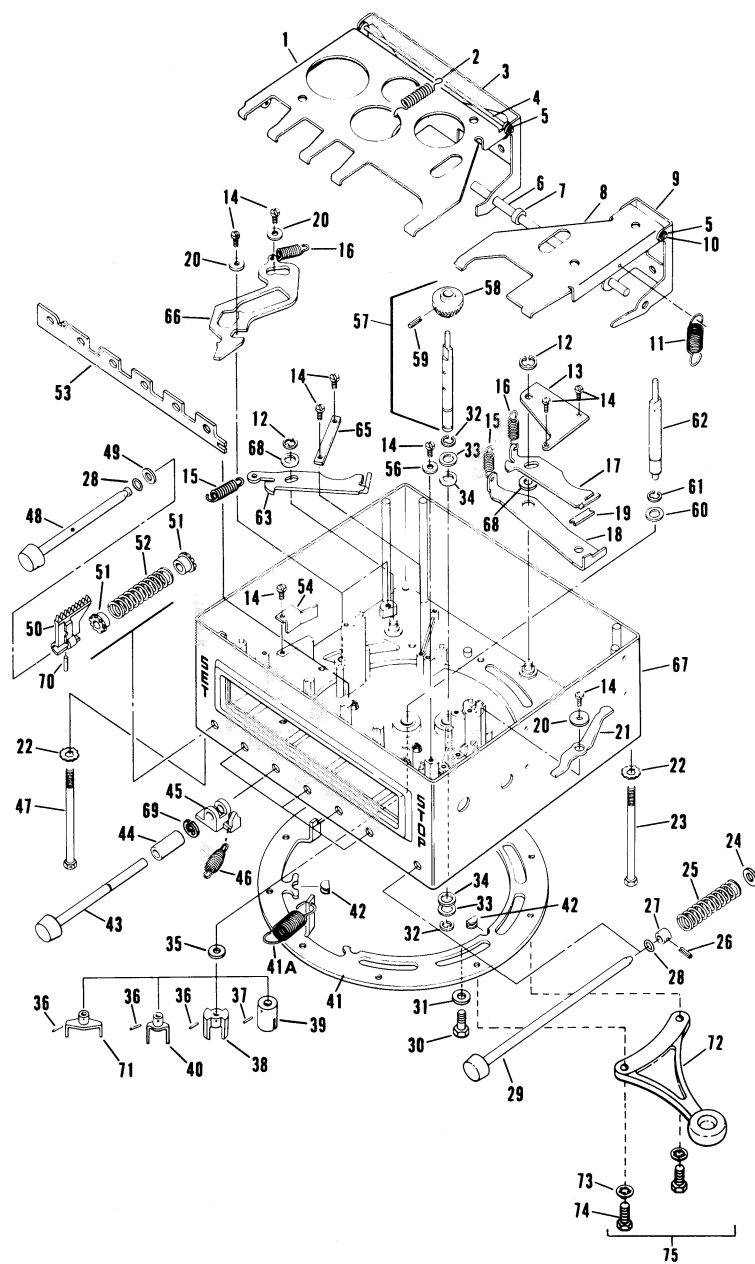
METER PRESET

SERIES 7889

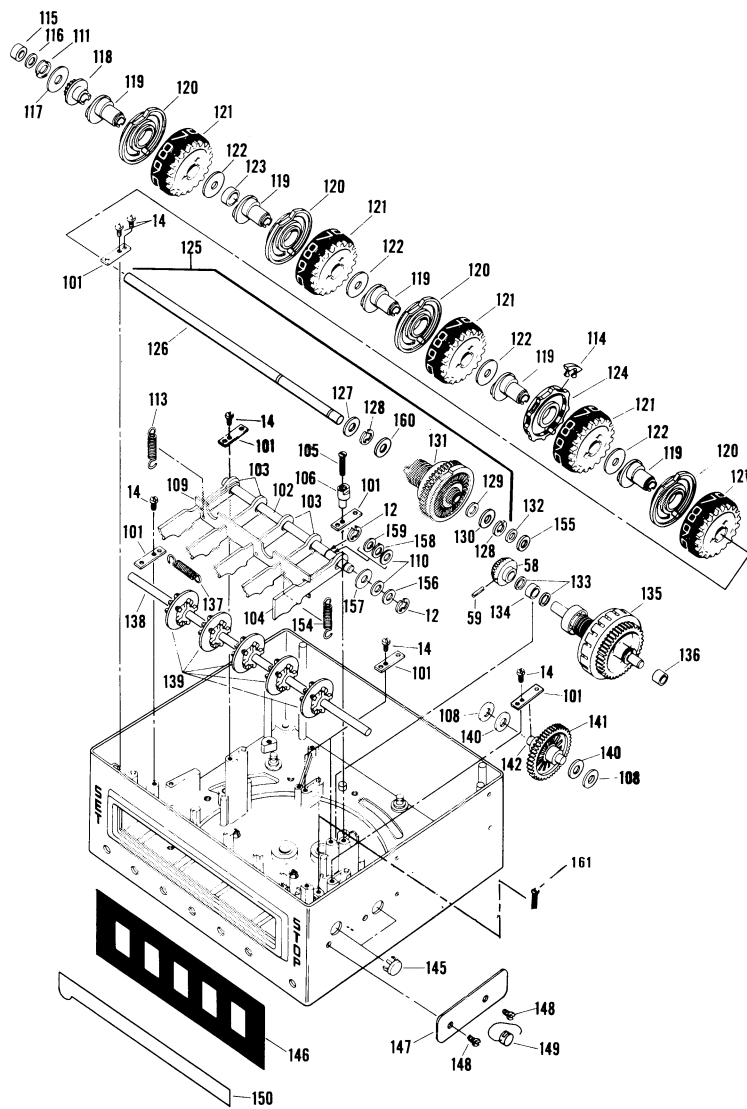


VEEDER-ROOT 
Petroleum Products

ITEM NO.	PART NO.	PART NAME	QUANTITY PER UNIT
1	324778-001	Rake, 1st Stage	1
2	310300-341	Spring, Extension (2.2" at rest)	1
3	324777-001	Lever, 1st Stage	1
4	324780-001	Shaft, 1st Stage Lever	1
5	511811-001	Ring, Retaining	4
6	324789-001	Shaft, Lever	1
7	884008-433	Spacer	1
8	324779-001	Rake, 2nd Stage	1
9	324776-001	Lever, 2nd Stage & Emergency	1
10	324781-001	Shaft, 2nd Stage Lever	1
11	310300-334	Spring, Extension	1
12	511810-001	Ring, Retaining	4
13	324874-001	Plate, Retainer	1
14	370100-010	Screw, #6-32 x 0.313 Inch-Pan Hd.	25
15	310300-330	Spring, Extension	2
16	310300-336	Spring, Extension	2
17	324763-001	Pawl, Final Knockoff	1
18	324764-001	Lever, Emergency Interlock	1
19	325310-001	Shim, 0.020 Inch	1
20	885005-844	Washer	3
21	324711-001	Lever, Clutch	1
22	510003-006	Lockwasher	4
23	503300-112	Bolt, Rear	2
24	11071-EY-293	Washer, 0.014-0.016 Inch	1
25	310325-311	Spring, Compression	1
26	510111-001	Pin, Groove	1
27	14571-AN-082	Collar	1
28	512700-172	Seal, "O" Ring	2
29	324819-002	Rod Group, Emergency (Red)	1
30	503661-005	Screw, Hex Head	2
31	11071-BQ-112	Washer, 0.060-0.064 Inch	2
32	511819-001	ring, Retaining	2
33	11071-OH-835	Washer, 0.009-0.011 Inch	2
34	11071-QS-943	Washer, 0.004-0.006 Inch	As Req.
	11071-BW-126	Washer, 0.006-0.008 Inch	As Req.
	11071-OH-835	Washer, 0.009-0.011 Inch	As Req.
	11071-OJ-839	Washer, 0.029-0.033 Inch	As Req.
35	11071-QN-933	Washer, 0.009-0.011 Inch	1
36	510107-002	Pin, 1/16 x 7/16 Inch	1
37	510105-177	Pin, 1/16 x 3/4 Inch	1
38	33775-A-005	Coupling - Brass Half	1
39	65004-005	Coupling, Slotted	1
	65004-010	Coupling, Special Slotted	1
40	68845-1-005	Coupling, Forked	1
41	324762-001	Plate, Knockoff	1
41A	310300-374	Spring, Extension	1
42	325159-001	Insert, Plate	4
43	324820-002	Rod Group, Preset (Black)	5
44	874201-127	Collar	5
45	324623-001	Pawl, Preset	5
46	310300-335	Spring, Extension	5
47	503300-110	Bolt, Front (w/Hole Thru Head)	2
48	324821-002	Rod Group, Beige Authorization	1
49	11071-EY-293	Washer, 0.014-0.016 Inch	1
50	324606-001	Rack	1
51	884008-649	Bushing, Spiral	2
52	310325-310	Spring, Compression	1
53	324716-001	Bar, Shift	1
54	324892-001	Plate, Wear	1
55	Deleted		
56	11071-EV-287	Washer	1
57	324822-001	Shaft Group, Vertical Drive	1
58	324181-001	Gear	2
59	512208-001	Pin	2
60	11071-NL-785	Washer, 0.004-0.006 Inch	As Req.
61	511816-001	Ring, Retaining	1
62	324784-001	Shaft, Vertical Drive	1
	324784-002	Shaft, Vertical Drive (Square End)	1
63	324763-002	Pawl, Knockoff (1st Stage)	1
64	Deleted		
65	324768-001	Strap	1
66	324761-001	Pawl, Interlock	1
67	324794-001	Case Group	1
68	11071-FN-325	Washer, 0.009-0.011 Inch	As Req.
	11071-EY-293	Washer, 0.014-0.016 Inch	As Req.
	11071-CU-183	Washer, 0.016-0.022 Inch	As Req.
69	511805-328	Ring, Retaining	5
70	510111-001	Pin, Spirol	1
71	G323372-001	Coupling, Forked	1
72	325214-001	Handle, Preset Ring	1
73	510013-001	Lockwasher	2
74	503610-001	Screw, HK Cap	2
75	312020-513	Kit, Handle (Includes 72, 73, 74)	1



**Meter Preset
Series 7889
(Sheet 1)**



ITEM NO.	PART NO.	PART NAME	QUANTITY PER UNIT
101	324712-001	Strap	13
102	324709-001	Shaft, Detent Pawl	1
103	324702-001	Pawl, Detent	4
104	324703-001	Pawl, Detent	1
105	501715-030	Screw, Fil. Head (No. 6)	1
106	324935-002	Eccentric, Adjusting	1
107	Deleted		
108	11071-CC-146	Washer, 0.008-0.013 Inch	As Req.
109	11071-DF-206	Washer, 0.004-0.007 Inch	As Req.
110	324719-001	Connector	1
111	11071-CC-146	Washer, 0.008-0.013 Inch	As Req.
112	885005-530	Washer, Finger Spring	1
113	Deleted		
114	19724-E-025	Spring, Extension	1
115	324580-001	Insert, Disc.	9
116	74200-096-456	Spacer	1
117	11071-NU-803	Washer, 0.004-0.006 Inch	As Req.
118	11071-FN-325	Washer, 0.009-0.011 Inch	As Req.
119	11071-CU-183	Washer, 0.018-0.022 Inch	As Req.
120	11017-EJ-263	Washer, 0.030-0.034 Inch	1
121	324607-001	Pinion	1
122	324581-001	Eccentric	5
123	324584-001	Disc, Knockoff	4
124	324697-001	Wheel, Character	5
125	885005-903	Washer, 0.028-0.032 Inch	4
126	324891-001	Ring, Eccentric	1
127	324585-001	Disc, Variable Knockoff	1
128	324792-001	Shaft Group, Wheel	1
129	324713-001	Shaft, Wheel	1
130	11071-DG-208	Washer, 0.009-0.012 Inch	1
131	511842-001	Ring, Retaining	2
132	11071-IK-487	Washer, 0.018-0.022 Inch	As Req.
133	885005-580	Washer	As Req.
134	324791-001	Gear Group Drive	1
135	11071-LR-671	Washer, 0.030-0.034 Inch	1
136	11071-IT-505	Washer, 0.004-0.006 Inch	As Req.
137	74800-007-023	Washer, 0.009-0.011 Inch	As Req.
138	11071-DA-195	Washer, 0.019-0.021 Inch	As Req.
139	14614-RI-712	Bushing	1
140	324793-001	Clutch Group	1
141	14614-SP-777	Bushing	1
142	14427-LV-576	Spring, Extension	1
143	324710-001	Shaft, Pinion	1
144	324583-001	Pinion, Transfer	5
145	11071-DF-206	Washer, 0.004-0.007 Inch	2
146	324706-001	Gear, Idler	1
147	324707-001	Shaft, Idler	1
148	Not Available		
149	324824-001	Crystal, 5 Windows	1
150	324824-002	Crystal, 4 Windows	
151	324824-003	Crystal, 5 Windows w/decimal	
152	324824-004	Crystal, 4 Windows w/decimal	
153	325842-001	Seal, Cover (See Note)	1
154	501700-129	Screw (See Note)	2
155	513600-1-005	Seal and Wire (See Note)	1
156	326071-001	Label, Instructional	1
157	310300-330	Spring, Reset	1
158	11071-FN-325	Washer, 0.009-0.011 Inch	1
159	11071-DF-206	Washer, 0.004-0.007 Inch	As Req.
160	11017-EJ-263	Washer, 0.030-0.034 Inch	1
161	11071-LR-671	Washer, 0.030-0.034 Inch	1
162	11071-BQ-112	Washer, 0.060-0.064 Inch	1
163	11071-IK-487	Washer, 0.018-0.022 Inch	1
164	510500-359	Screw Fil. Head #6-32 x 0.37	1

Note: Items 147, 148 and 149 are used in place of Item 145 on later units.

Meter Preset
Series 7889
(Sheet 2)

For ordering instructions and terms
and conditions of sale, refer to a
current Veeder-Root price list.



6th Avenue at Burns Crossing, P.O. Box 1673, Altoona, PA 16603-1673 Phone (800) 873-3313 or (814) 695-4476, Fax (800) 234-5350 or (814) 695-7605

BRAZIL: Sao Paulo • CANADA: Mississauga, Ontario • ENGLAND: Richmond Surrey • FRANCE: Aulnay-Sous-Bois • GERMANY: Aldingen • SINGAPORE: Singapore