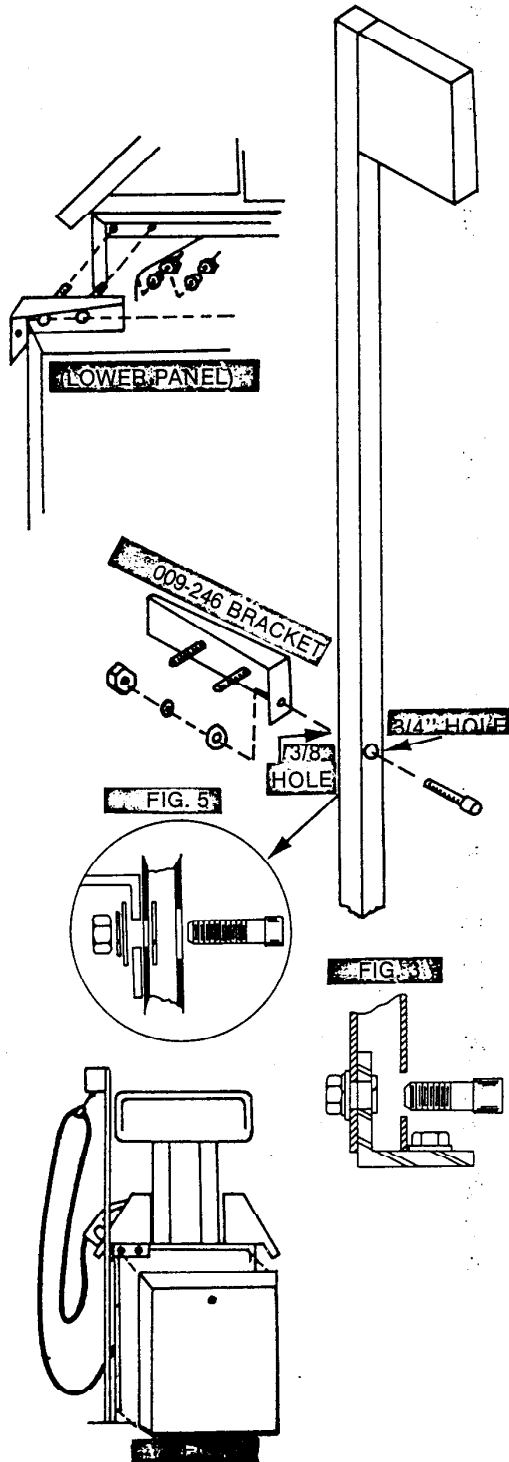


OVERHEAD HOSE RETRACTOR INSTALLATION INSTRUCTIONS FOR GILBARCO HIII ELECTRONIC UNITS

MODEL NO. 884-014-5 (6.5 ft. post) w/009-246 Bracket - 5/8" or 3/4" Hose
 MODEL NO. 884-018-5 (6.5 ft. post) w/009-246 Bracket - 1" Hose

This Red Jacket Overhead Hose Retractor model 009-246 bracket is intended for use on Gilbarco HIII Electronic Units.



It is the responsibility of the individual performing the installation to comply with all local codes and safety regulations regarding gasoline and vapors.

POST INSTALLATION

1. Locate the special bracket part no. 009-246 which is enclosed, (it will be needed as a template), see figure 5.
2. Remove the lower panel(s) from the dispenser/pump.
3. Place the hose retractor post as close to the dispenser as practical to provide proper access to the nozzle and maximum support for the hose retractor post as shown in figure 6. Determine the proper location for the bracket part no. 009-246 by noting how the post attaches to it, see figure 5 and how the bracket attaches to the dispenser/pumps, see figure 4. Top edge of lower panel mounts under top lip of bracket, see figure 4 and figure 6.
4. Drill two 1/2" holes in the front edge of the upper frame of the dispenser/pump as shown in figure 4, to receive the threaded studs attached to the bracket.
5. Bolt the bracket through the dispenser/pump frame by means of the washers and nuts provided as shown in figure 4.
6. Using the post mounting hole in the bracket as a guide, mark the location for the mounting hole in the retractor post, see figure 5. Drill a 3/8" hole in the wall of the post where marked (closest to the farthest brace). Drill a 3/4" hole in the outside wall of the post (farthest from brace). Secure the post to the bracket as shown in figure 5.
7. Mount the angle clip by lagging into the curb, the 3/8" lag bolt provided. Drill a 3/8" and a 3/4" hole in the post to secure to the angle clip using (1) 3/8" 16 x 1" cap screw, (2) lockwashers (1) flat washer, and nut as shown in figure 3.
8. Cover the post holes with the cap plugs provided.

HOSE INSTALLATION

A 5/8" or 3/4" I.D., Listed gasoline hose, up to 17 ft. long is typically used on model 884-014.*

A 1" I.D., U.L. Listed gasoline hose, up to 15 ft. long is typically used on model 884-018.*

*Hose length referenced is based on standard softwall hose. Mounting configuration, hose type and climate may affect flexibility of hose. (Retractors for use with 5/8" or 3/4" I.D. hose are available with either standard or heavy-duty reels.)

1. Slip the hose into the clamp provided and adjust until the bottom of the loop clears the curb. See figure 6. Tighten securely.
2. Pull the hose to its full length. It should extend easily and then retract completely.
3. If adjustment is required in spring tension, remove the (4) screws from the cover, extend cable approx. 18", wind or unwind one turn at a time and repeat step 2.



by  VEEDER-ROOT

125 Powder Forest Drive • Simsbury, CT 06070
 Tel: (860) 651-2700 • Fax: (860) 651-2719

041-770 Rev. B