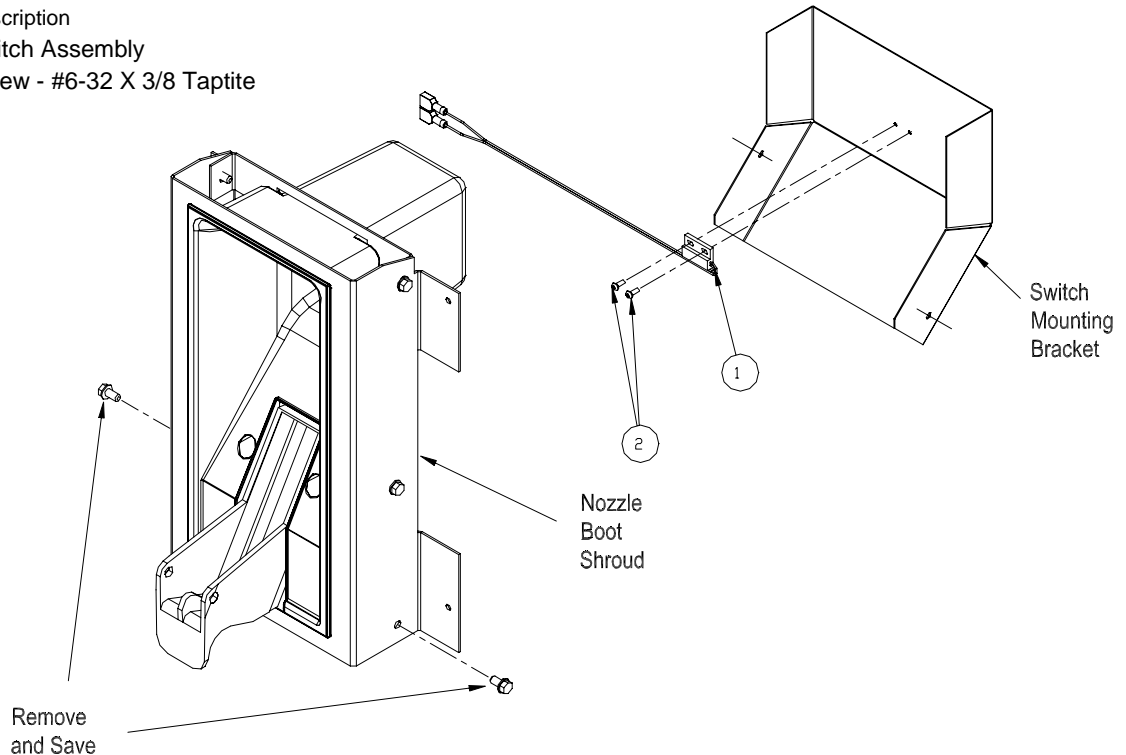


INSTALLING THE SWITCH ASSEMBLY ON NOZZLE BOOT FOR 9800Q FRONT LOAD, KIT # 023411

023411 Kit Contents

Item	Part No.	Description
1	C04243	Switch Assembly
2	053625	Screw - #6-32 X 3/8 Taptite



1. Turn off power to pump/dispenser. Unlock and open the doors.
2. Disconnect the damaged switch from the harness.
3. Remove the two existing $\frac{1}{4}$ -20 X $\frac{1}{2}$ Taptite screws from the side of nozzle boot's shroud and save it for later re-installation.
4. Pull the switch-mounting bracket away from the nozzle boot's shroud.
5. Remove the damaged switch by unscrewing the two existing #6-32 X $\frac{3}{8}$ Taptite screws from the switch-mounting bracket. Discard old switch and screws.
6. Install new switch assembly (item 1) with two new #6-32 X $\frac{3}{8}$ Taptite screws (item 2) that are provided in the kit.
7. Re-install the switch-mounting bracket (with the new switch assembly attached) to the nozzle boot shroud with using the two $\frac{1}{4}$ -20 X $\frac{1}{2}$ Taptite screws that were saved in Step 3.
8. Connect the new switch to the harness and turn on power to pump/dispenser to test for proper operation.
9. Close and lock the doors.