

VAPOR RECOVERY KIT INSTALLATION INSTRUCTIONS FOR MODEL 9820A

This instruction sheet covers the installation of the Model 9820A, Vapor Recovery Kit (Gasboy P/N 032629). You should have received the following: (vapor recovery kit does not include high hose retriever, hose, nozzle, swivel, and breakaway)

Item	Qty.	P/N	Description
1	1	042776	Discharge Assembly
2	1	041645	Panel, Right Side (VR)
3	1	028929	Grommet
4	1	041648	Bracket, Vent Support
5	2	051821	Bolt 5/16-18 x ¾
6	2	068874	Washer, Lock 5/16

Item	Qty.	P/N	Description
7	1	049013	O-Ring
8	2	038605	Nut 5/16-18 Hex
9	4	068080	Washer 5/16
N/A	1	032630	Instruction Sheet
N/A	1	035282	Warning Sheet

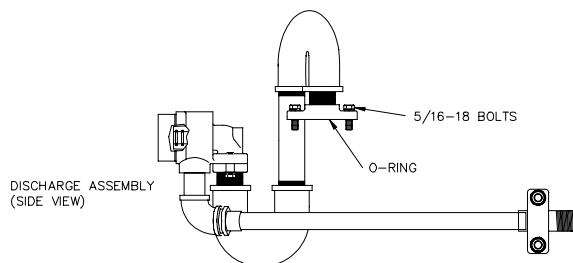
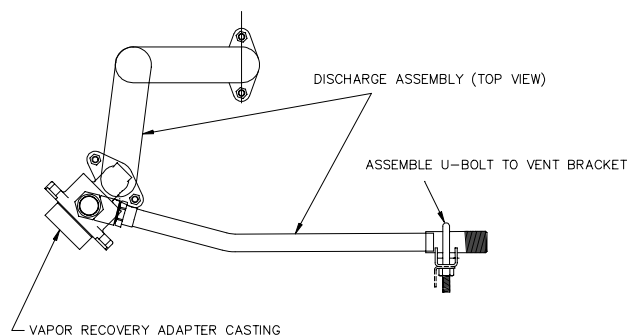
Important: Read all instructions before beginning installation. Also, read and follow all precautions regarding remote dispensers and pumps on the *Warnings and Safeguards* sheet, 035282, included in this kit. Before performing any work which may produce sparks (e.g. drilling, use of power tools, etc.), remove dispenser a safe distance from any flammable materials.

Installing Right Side Panel

1. Remove front door panel (key required)
2. Remove rear door panel (key required)
3. Remove four (4) 1/4-20 nuts from top cover assembly and remove top cover.
4. Remove discharge pipe elbow.
5. Remove three (3) nuts from right side panel which secure panel to base. Remove right side panel and discard.

Installing Discharge Assembly

6. Remove two (2) 5/16-18 bolts from discharge casting and two (2) 1/4-20 bolts from discharge clamp. Remove discharge assembly from unit. *NOTE: Replace O-ring with supplied (item 7) O-ring. Apply lithium based grease to O-ring.*
7. Install new vapor recovery discharge assembly by reinstalling two (2) 5/16-18 bolts from Step 7. Assemble discharge adapter to discharge bracket by installing two (2) nuts (item 8) and two (2) washers (item 9).
8. Install vent support bracket (item 4) to dispenser base with two (2) 5/16-18 bolts (item 5) and two (2) 5/16 lock washers (item 6). Install U-bolt to vent support bracket with supplied 5/16-18 nuts.
9. Install grommet (item 3) in right side panel.
10. Install new right side panel (item 2) with 1/4-20 nuts from Step 5.
11. Reinstall the dispenser top cover and door panels by following Steps 4 through 1.



VAPOR RECOVERY W/HIGH HOSE RETRIEVER OVERVIEW

