

## Introduction

### Purpose

This document provides installation instructions for the Upper Canopy Housing Kit (M03962K001) for Encore® Pumps/Dispensers for Phillips 66®. The kit contains the upper canopy housing and hardware required for installation. Kit installation requires two technicians/installers.

### Table of Contents

Topic	Page
<a href="#">Introduction</a>	1
<a href="#">Important Safety Information</a>	3
<a href="#">Installing Upper Canopy Housing Kit</a>	5

### Required Reading

Before installing this kit, the installer must read, understand, and follow:

- This manual.
- NFPA 30A, The Automotive and Marine Service Station Code.
- NFPA 70, The National Electric Code.
- Applicable federal, state, local codes and regulations.

Failure to do so may adversely affect the safe use and operation of the equipment.

*Note: This kit must be installed by a Gilbarco® Authorized Service Contractor (ASC) to ensure warranty.*

### Required Tools and Materials

Following tool and materials are required to install the Upper Canopy Housing Kit (M03962K001).

- Metric Socket Set
- Ladders
- Gloves (for handling sheet metal)

## Parts Lists

Following table lists the parts included in the Upper Canopy Housing Kit.

Item	Description	Part Number	Quantity
1	Housing, Canopy, Upper	M03962B001	2
2	Bracket, Canopy, Upper, Housing	M03963B001	2
3	Kit, Metric Hardware	M04035K001	1
	• Bolt, Hex Cap Metric M10 X 25 Yellow Chromate	M04023B010	4
	• Bolt, Hex Cap Metric M8 X 20 Yellow Chromate	M04023B004	8
	• Flat Washer, Metric M10 Yellow Chromate	M00959B017	4
	• Flat Washer, Metric M8 Yellow Chromate	M00959B016	16
	• Lock Washer, Metric M10 Yellow Chromate	M01071B004	4
	• Lock Washer, Metric M8 Yellow Chromate	M01071B005	8
	• Hex Nut Metric M8 Yellow Chromate	M04024B002	8

## Related Documents

Document Number	Title	GOLD Library
MDE-3804	Encore and Eclipse® Series Start-up/Service Manual	Encore and Eclipse
MDE-3893	Encore and Eclipse Owner's Manual	Encore and Eclipse
PT-1936	Encore Illustrated Parts Manual	Parts Manual

## Abbreviations and Acronyms

Term	Description
ASC	Authorized Service Contractor
NEA	National Electrical Code
NFPA	National Fire Protection Association

# Important Safety Information

**Notes:** 1) *Save this Important Safety Information section in a readily accessible location.*

2) *Although DEF is non-flammable, Diesel is flammable. Therefore, for DEF cabinets that are attached to Diesel dispensers, follow all the notes in this section that pertain to flammable fuels.*

This section introduces the hazards and safety precautions associated with installing, inspecting, maintaining, or servicing this product. Before performing any task on this product, read this safety information and the applicable sections in this manual, where additional hazards and safety precautions for your task will be found. Fire, explosion, electrical shock, or pressure release could occur and cause death or serious injury, if these safe service procedures are not followed.


## Preliminary Precautions


You are working in a potentially dangerous environment of flammable fuels, vapors, and high voltage or pressures. Only trained or authorized individuals knowledgeable in the related procedures should install, inspect, maintain, or service this equipment.

## Emergency Total Electrical Shut-Off

The first and most important information you must know is how to stop all fuel flow to the pump/dispenser and island. Locate the switch or circuit breakers that shut off all power to all fueling equipment, dispensing devices, and Submerged Turbine Pumps (STPs).

**⚠ WARNING**

 The EMERGENCY STOP, ALL STOP, and PUMP STOP buttons at the cashier's station WILL NOT shut off electrical power to the pump/dispenser. This means that even if you activate these stops, fuel may continue to flow uncontrolled.

 You must use the TOTAL ELECTRICAL SHUT-OFF in the case of an emergency and not the console's ALL STOP and PUMP STOP or similar keys.

## Total Electrical Shut-Off Before Access

Any procedure that requires access to electrical components or the electronics of the dispenser requires total electrical shut off of that unit. Understand the function and location of this switch or circuit breaker before inspecting, installing, maintaining, or servicing Gilbarco equipment.

## Evacuating, Barricading, and Shutting Off

Any procedure that requires access to the pump/dispenser or STPs requires the following actions:



- An evacuation of all unauthorized persons and vehicles from the work area
- Use of safety tape, cones, or barricades at the affected unit(s)
- A total electrical shut-off of the affected unit(s)

## Read the Manual

Read, understand, and follow this manual and any other labels or related materials supplied with this equipment. If you do not understand a procedure, call a Gilbarco Authorized Service Contractor or call the Gilbarco Support Center at 1-800-800-7498. It is imperative to your safety and the safety of others to understand the procedures before beginning work.

## Follow the Regulations

Applicable information is available in National Fire Protection Association (NFPA) 30A; *Code for Motor Fuel Dispensing Facilities and Repair Garages*, NFPA 70; *National Electrical Code (NEC)*, Occupational Safety and Health Administration (OSHA) regulations and federal, state, and local codes. All these regulations must be followed. Failure to install, inspect, maintain, or service this equipment in accordance with these codes, regulations, and standards may lead to legal citations with penalties or affect the safe use and operation of the equipment.

## Replacement Parts

Use only genuine Gilbarco replacement parts and retrofit kits on your pump/dispenser. Using parts other than genuine Gilbarco replacement parts could create a safety hazard and violate local regulations.

## Safety Symbols and Warning Words

This section provides important information about warning symbols and boxes.

### Alert Symbol



This safety alert symbol is used in this manual and on warning labels to alert you to a precaution which must be followed to prevent potential personal safety hazards. Obey safety directives that follow this symbol to avoid possible injury or death.

### Signal Words

These signal words used in this manual and on warning labels tell you the seriousness of particular safety hazards. The precautions below must be followed to prevent death, injury, or damage to the equipment:



**DANGER:** Alerts you to a hazard or unsafe practice which will result in death or serious injury.



**WARNING:** Alerts you to a hazard or unsafe practice that could result in death or serious injury.



**CAUTION** with Alert symbol: Designates a hazard or unsafe practice which may result in minor injury.

**CAUTION** without Alert symbol: Designates a hazard or unsafe practice which may result in property or equipment damage.

## Working With Fuels and Electrical Energy

### Prevent Explosions and Fires

Fuels and their vapors will explode or burn, if ignited. Spilled or leaking fuels cause vapors. Even filling customer tanks will cause potentially dangerous vapors in the vicinity of the dispenser or island.

DEF is non-flammable. Therefore, explosion and fire safety warnings do not apply to DEF lines.

## Important Safety Information

### No Open Fire



Open flames from matches, lighters, welding torches, or other sources can ignite fuels and their vapors.

### No Sparks - No Smoking



Sparks from starting vehicles, starting, or using power tools, burning cigarettes, cigars, or pipes can also ignite fuels and their vapors. Static electricity, including an electrostatic charge on your body, can cause a spark sufficient to ignite fuel vapors. Every time you get out of a vehicle, touch the metal of your vehicle, to discharge any electrostatic charge before you approach the dispenser island.

### Working Alone

It is highly recommended that someone who is capable of rendering first aid be present during servicing. Familiarize yourself with Cardiopulmonary Resuscitation (CPR) methods, if you work with or around high voltages. This information is available from the American Red Cross. Always advise the station personnel about where you will be working, and caution them not to activate power while you are working on the equipment. Use the OSHA Lockout/Tagout procedures. If you are not familiar with this requirement, refer to this information in the service manual and OSHA documentation.

### Working With Electricity Safely

Ensure that you use safe and established practices in working with electrical devices. Poorly wired devices may cause a fire, explosion, or electrical shock. Ensure that grounding connections are properly made. Take care that sealing devices and compounds are in place. Ensure that you do not pinch wires when replacing covers. Follow OSHA Lockout/Tagout requirements. Station employees and service contractors need to understand and comply with this program completely to ensure safety while the equipment is down.

### Hazardous Materials

Some materials present inside electronic enclosures may present a health hazard if not handled correctly. Ensure that you clean hands after handling equipment. Do not place any equipment in the mouth.

#### **WARNING**

The pump/dispenser contains a chemical known to the State of California to cause cancer.

#### **WARNING**

The pump/dispenser contains a chemical known to the State of California to cause birth defects or other reproductive harm.

## In an Emergency

### Inform Emergency Personnel

Compile the following information and inform emergency personnel:

- Location of accident (for example, address, front/back of building, and so on)
- Nature of accident (for example, possible heart attack, run over by car, burns, and so on)
- Age of victim (for example, baby, teenager, middle-age, elderly)
- Whether or not victim has received first aid (for example, stopped bleeding by pressure, and so on)
- Whether or not a victim has vomited (for example, if swallowed or inhaled something, and so on)

#### **WARNING**



Gasoline/DEF ingested may cause unconsciousness and burns to internal organs. Do not induce vomiting. Keep airway open. Oxygen may be needed at scene. Seek medical advice immediately.

#### **WARNING**

DEF generates ammonia gas at higher temperatures. When opening enclosed panels, allow the unit to air out to avoid breathing vapors. If respiratory difficulties develop, move victim away from source of exposure and into fresh air. If symptoms persist, seek medical attention.

#### **WARNING**



Gasoline inhaled may cause unconsciousness and burns to lips, mouth, and lungs. Keep airway open. Seek medical advice immediately.

#### **WARNING**



Gasoline/DEF spilled in eyes may cause burns to eye tissue. Irrigate eyes with water for approximately 15 minutes. Seek medical advice immediately.

#### **WARNING**



Gasoline/DEF spilled on skin may cause burns. Wash area thoroughly with clear water. Seek medical advice immediately.

#### **WARNING**

DEF is mildly corrosive. Avoid contact with eyes, skin, and clothing. Ensure that eyewash stations and safety showers are close to the work location. Seek medical advice/recommended treatment if DEF spills into eyes.

**IMPORTANT:** Oxygen may be needed at scene if gasoline has been ingested or inhaled. Seek medical advice immediately.

### Lockout/Tagout

Lockout/Tagout covers servicing and maintenance of machines and equipment in which the unexpected energization or start-up of the machine(s) or equipment or release of stored energy could cause injury to employees or personnel. Lockout/Tagout applies to all mechanical, hydraulic, chemical, or other energy, but does not cover electrical hazards. Subpart S of 29 CFR Part 1910 - Electrical Hazards, 29 CFR Part 1910.333 contains specific Lockout/Tagout provision for electrical hazards.

# Installing Upper Canopy Housing Kit

Following procedures describe the installation of the Upper Canopy Housing Kit on an Encore pump/dispenser.

## Preparing

Before you begin the installation of the Upper Canopy Housing Kit, proceed as follows:

- 1 Read all instructions.
- 2 Observe and execute all safety precautions and procedures described in the safety section before, during and, after installation.
- 3 If there is an existing pump/dispenser topper under lighting or any other electrically powered equipment, remove the AC power to the topper. If the topper is powered from the pump/dispenser, remove the power using the station circuit breaker. For details on removing system power, refer to MDE-3893 Encore/Eclipse Owners Manual. If the topper is powered from another source, trace the source and remove the power.
- 4 Remove any existing canopy or topper, and secure any electrical leads by disconnecting and capping them in the lighting junction box in accordance with NEC guidelines before you proceed.

## Assembling

For details during assembly and installation, see [Figure 1](#) on [page 6](#).

*Note: Be careful not to scratch or damage the canopy or dispenser finishes during installation.*

To assemble the Upper Canopy Housing Kit, proceed as follows:

- 1 Join the two side panels together and align the holes to secure the panels together.
- 2 Loosely assemble panels using four Bolts (M04023B004), eight Flat Washers (M00959B016), four Lock Washers (M01071B005), and four Hex Nuts (M04024B002).
- 3 Mount the two Brackets (M03963B001) in place and loosely secure using four Bolts, eight Flat Washers (M00959B017), four Lock Washers, and four Hex Nuts.
- 4 Align all sheet metal and brackets of the assembly and tighten all fasteners.

## Installing

To install the Upper Canopy Housing Kit, proceed as follows:

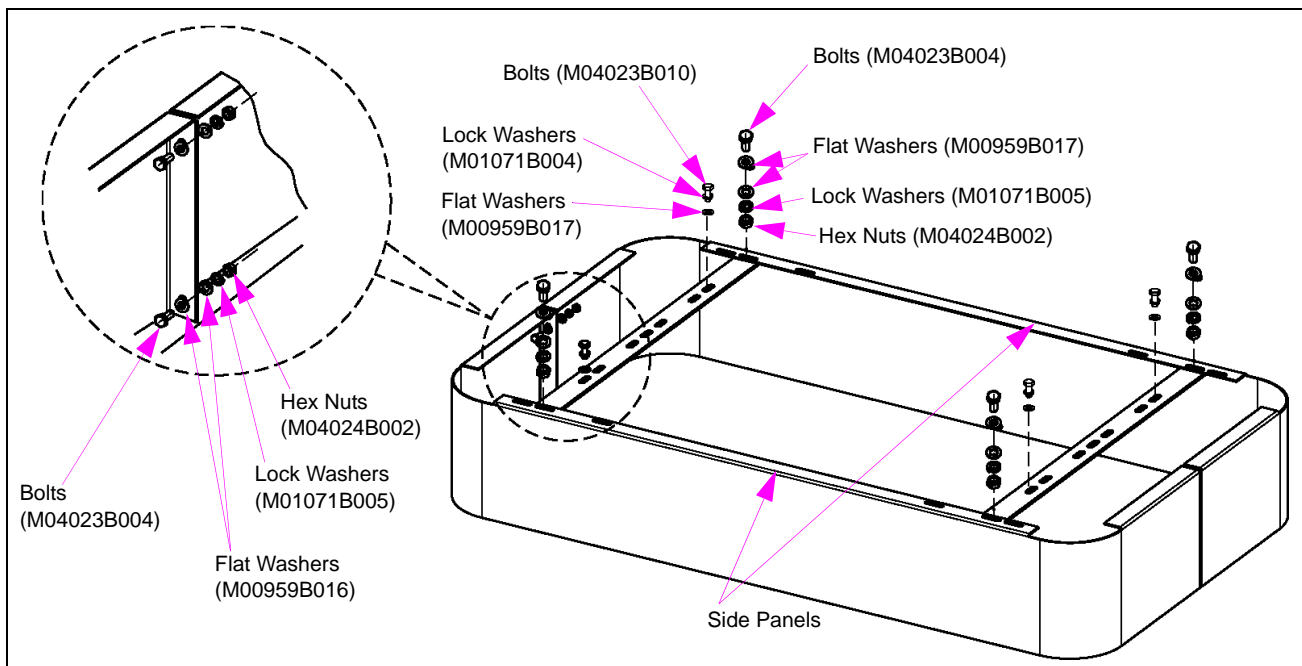
### CAUTION

Ensure that you support the canopy assembly when placing it on the pump/dispenser and before it is secured in place to prevent injury to personnel and damage to the equipment.

Kit installation requires two technicians/installers.

- 1 Place the assembled unit on top of the pump/dispenser ensuring that the assembly is centered on the pump/dispenser.
- 2 Align the holes in the brackets with the mounting holes in the pump/dispenser and secure in place using the four Bolts (M04023B010), four Lock Washers (M01071B004), and four Flat Washers.

**Figure 1: Assembling and Mounting Upper Canopy Housing Kit**



## Completing Installation

To complete the installation, proceed as follows:

- 1 Remove from the site any equipment/materials that were removed from the pump/dispenser, unused materials, and safety equipment.
- 2 If power was removed from the pump/dispenser, restore power.

This completes the installation of Upper Canopy Housing Kit.

*Encore®, Eclipse®, and Gilbarco® are registered trademarks of Gilbarco Inc. Phillips 66® is a registered trademark of Phillips 66 Company.*



© 2013 Gilbarco Inc.  
7300 West Friendly Avenue · Post Office Box 22087  
Greensboro, North Carolina 27420  
Phone (336) 547-5000 · <http://www.gilbarco.com> · Printed in the U.S.A.  
MDE-4264C Upper Canopy Housing Kit (M03962K001) For Encore® Pumps/Dispensers For  
Phillips 66® · March 2013