

REV	DESCRIPTION	BY	DATE	ECO
I	ATTACHED .PDF FILE TO DRAWING FOR TECH DOCS CD-R	CAR	2/23/00	T321-004
J	ADDED SMARTSENSOR/PRESS MODULE ADDED SHEET 3	CAR	07/09/04	Z063-082
K	ADDED MAG SUMP SENSOR, ISD AND POSITION-SENSITIVE SENSOR	CAR	03/16/05	DSEN-178

IMPORTANT: THIS IS A CONTROL DRAWING ONLY AND DOES NOT REFLECT THE ACTUAL LOCATIONS OF CONDUIT ENTRY (SEE NOTE 7 BELOW).

VEEDER-ROOT REQUIRES THAT ANYONE INSTALLING OUR EQUIPMENT MUST BE LEVEL 1 CERTIFIED. FOR MORE INFORMATION REGARDING THE HOME STUDY INSTALLERS COURSE CONTACT 860-651-2762.

WARNING: IN INSTALLATION AND USE OF THIS PRODUCT, COMPLY WITH THE NATIONAL ELECTRICAL CODE; FEDERAL, STATE AND LOCAL CODES. IN ADDITION, TURN OFF POWER AND TAKE OTHER NECESSARY PRECAUTIONS DURING INSTALLATION, SERVICE AND REPAIR TO PREVENT PERSONAL INJURY, PROPERTY LOSS AND EQUIPMENT DAMAGE.

WARNING: DISCONNECT ALL POWER BEFORE MAKING ANY CONNECTIONS TO PREVENT DEATH, SERIOUS INJURY, EXPLOSION, OR ELECTRICAL SHOCK. MONITOR MUST NEVER BE OPERATED UNLESS THE FRONT COVER IS CLOSED OVER THE BARRIER TERMINALS IN THE INTRINSICALLY SAFE AREA.

1. **INTRINSICALLY SAFE WIRING**
BONDED CONDUIT MEANS THAT THE METALLIC SECTIONS OF CONDUIT ARE PERMANENTLY JOINED TO FORM AN ELECTRICALLY CONDUCTIVE PATH THAT WILL ASSURE ELECTRICAL CONTINUITY, AND THAT THE CONDUIT HAS THE CAPACITY TO CONDUCT SAFELY, ANY CURRENT LIKELY TO BE IMPOSED.

d) **BONDED & NON-BONDED CONDUIT** - THE WIRES BETWEEN THE MONITOR AND EACH PROBE/SENSOR LOCATION MUST BE #14, #16 OR #18 AWG STRANDED COPPER WIRES WITHIN A SHIELDED CABLE. SHIELDED CABLE MUST BE RATED AT LESS THAN 100 PICOFARAD PER FOOT AND MUST BE MANUFACTURED WITH A MATERIAL SUITABLE FOR THE ENVIRONMENT, SUCH AS CAROL™ C2534 OR BELDEN™ 88760 OR 8760.

2. CONNECT THE BARRIER GROUND TO THE EARTH GROUND BUS AT THE POWER DISTRIBUTION PANEL WITH #12 AWG (OR LARGER) CONDUCTOR.

3. Ⓞ DENOTES FIELD WIRING CONNECTION USING WATERPROOF CONNECTORS SUPPLIED WITH THE PROBE(S) AND SENSOR(S).

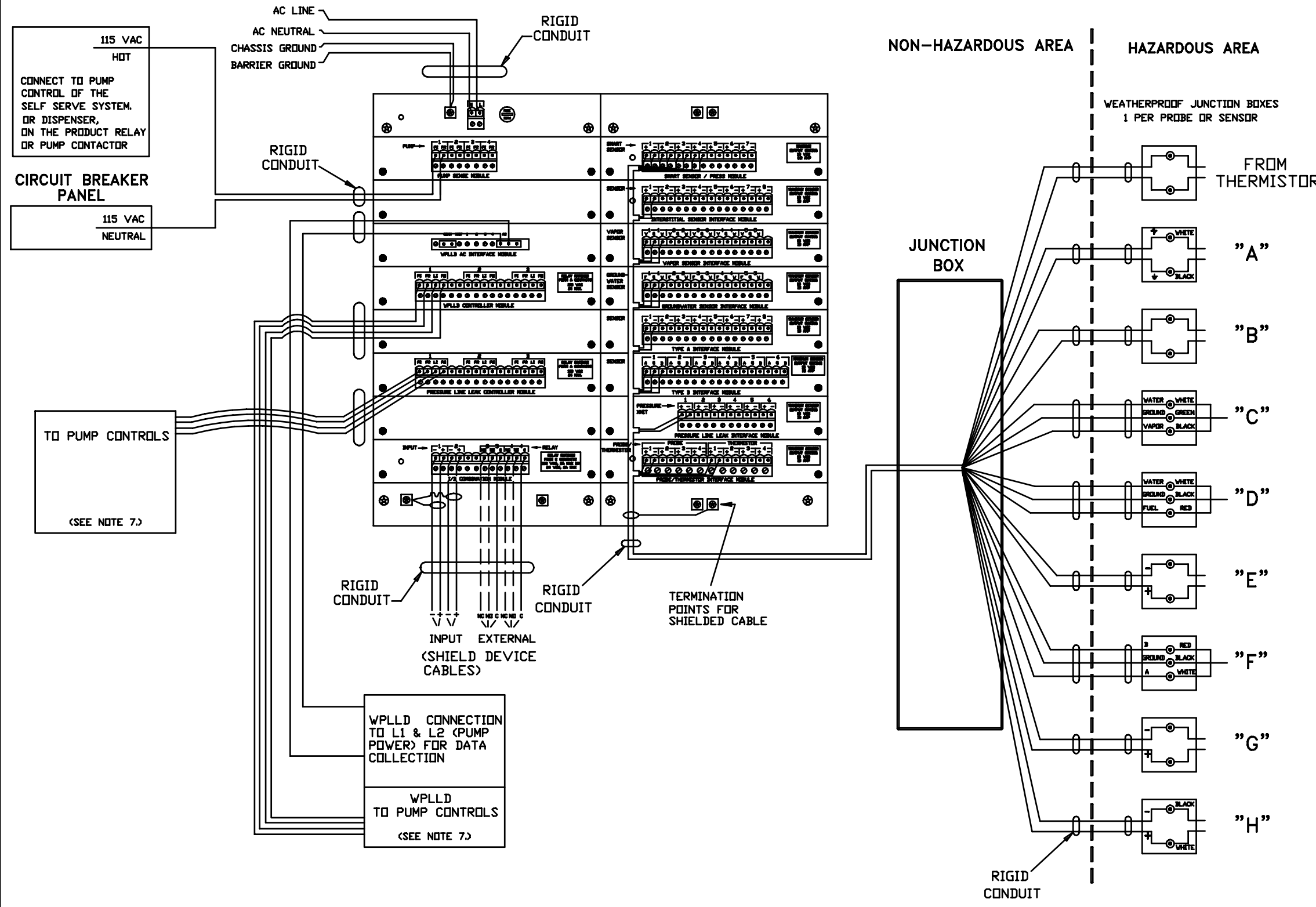
4. INTRINSICALLY SAFE WIRING SHALL BE INSTALLED IN ACCORDANCE WITH ARTICLE 504-20 OF THE NEC, ANSI/NFPA 70.

5. TO MAINTAIN INTRINSIC SAFETY, PROBE/SENSOR WIRING MUST BE INSTALLED WITH EITHER SEALED CONDUIT OR DIRECT BURIAL METHODS. REFER TO "DIRECT BURIAL CABLE INSTALLATION", MANUAL NO. 576013-858.

6. ELECTRICAL RATING POWER INPUT 120 VAC, 50/60 HZ, 100 VA MAXIMUM.

7. THIS DOCUMENT IS NOT TO BE USED AS A SUBSTITUTE FOR SPECIFIC EQUIPMENT INSTALLATION MANUALS. FOR INSTALLATION DETAILS USE THE RESPECTIVE MANUAL:

TLS-350(R)	576013-879
PLLD	576013-902
WPLLD	576013-923



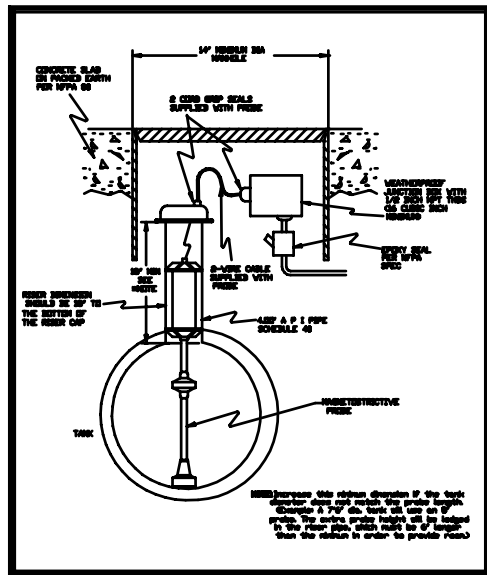
DO NOT SCALE DRAWING				
	NAME	DATE	NEXT GRP.	
DESIGNER	C. ROUTHIER	2/18/97	ASSEMBLY	
PROJECT	J. LONGWORTH	2/18/97	FORM NO	

MATERIAL

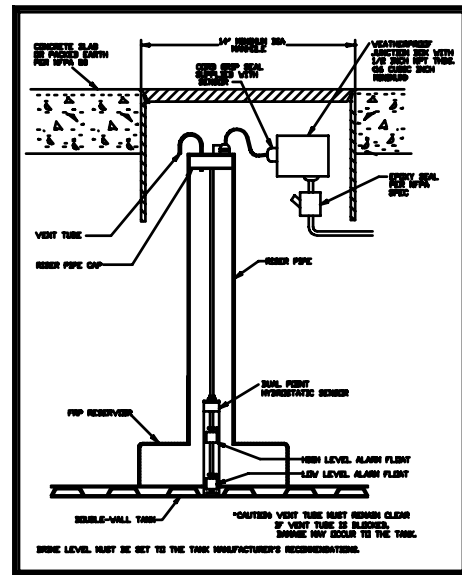
VEEDER-ROOT SIMSBURY, CONNECTICUT 06070 U.S.A.

NOTICE - THIS DOCUMENT IS THE PROPERTY OF THE VEEDER-ROOT COMPANY AND IS NOT TO BE DISCLOSED, REPRODUCED IN WHOLE OR IN PART, OR USED FOR MANUFACTURE BY ANYONE WITHOUT VEEDER-ROOT'S WRITTEN CONSENT.

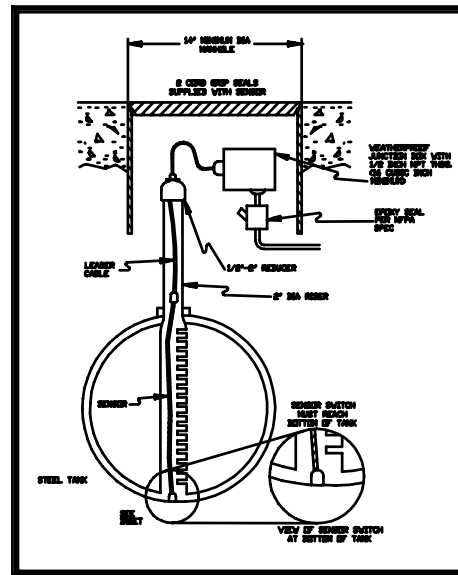
REFERENCE MFG. SPEC. VRS 81005 WHERE IT IS APPLICABLE	SIZE	DRAWING NUMBER	REV.	STATUS
UNSPECIFIED TOLERANCES +/- 0.005	D	329839-001	K	REL
SCALE		NONE	SHEET 1 OF 3	



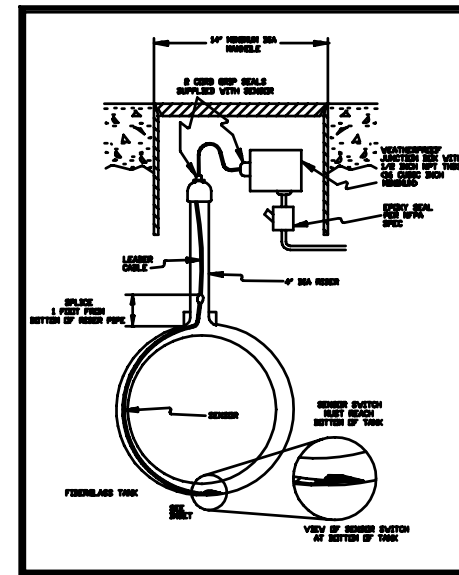
MAGNETOSTRICTIVE PROBE TO JUNCTION BOX "A"



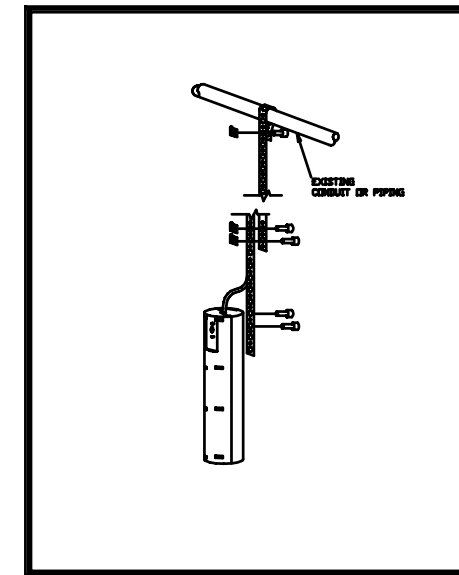
DUAL FLOAT HYDROSTATIC SENSOR TO JUNCTION BOX "B"



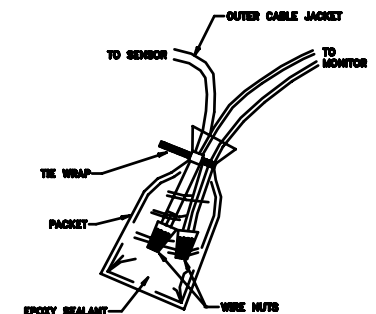
INTERSTITIAL LIQUID SENSOR TO JUNCTION BOX "B"



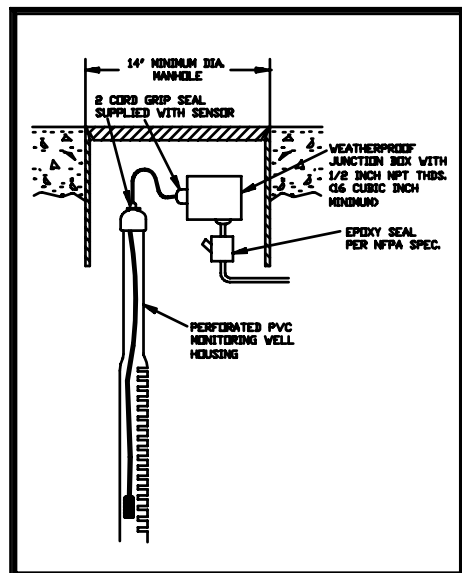
INTERSTITIAL LIQUID SENSOR TO JUNCTION BOX "B"



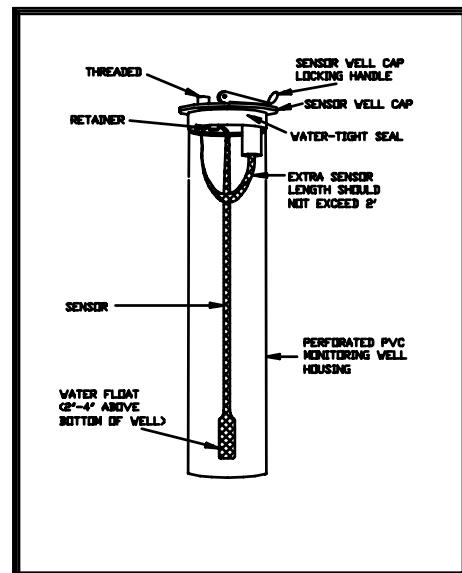
PIPING SUMP SENSOR TO JUNCTION BOX "B"



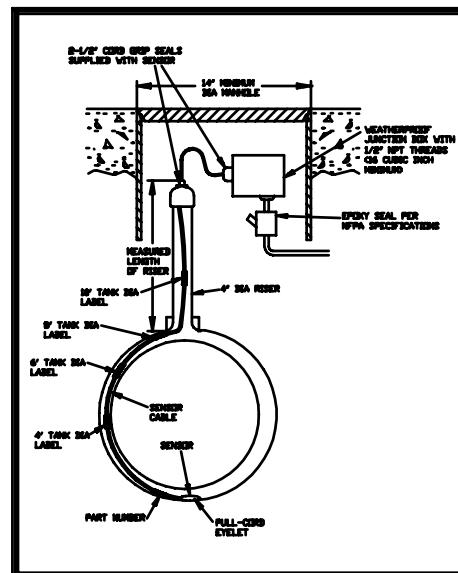
EPOXY SEALANT FOR TWO-WIRE CONNECTIONS



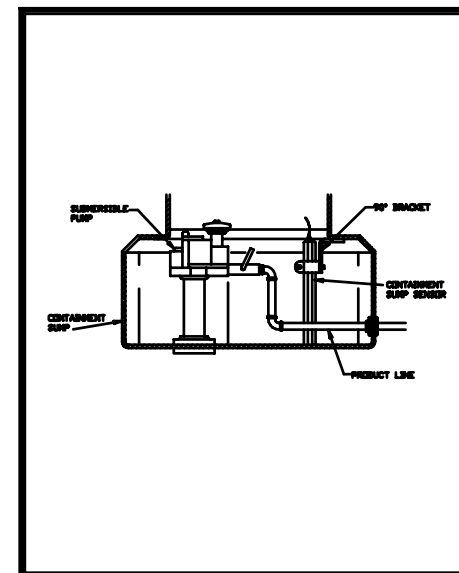
VAPOR SENSOR TO JUNCTION BOX "C"



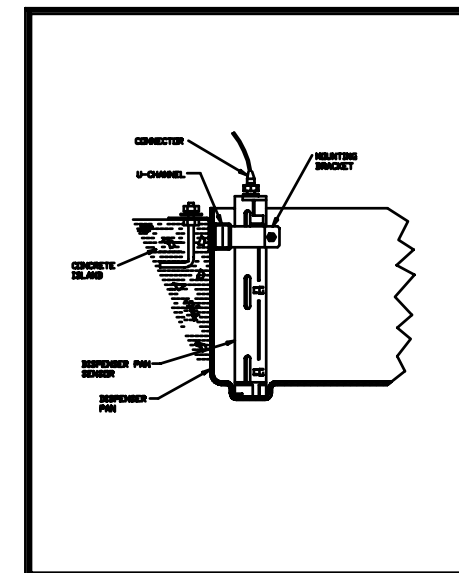
GROUNDWATER SENSOR TO JUNCTION BOX "D"



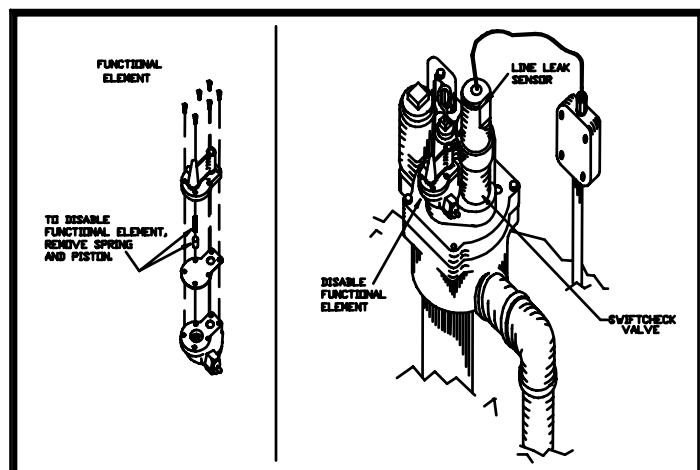
DISCRIMINATING INTERSTITIAL SENSOR TO JUNCTION BOX "E"



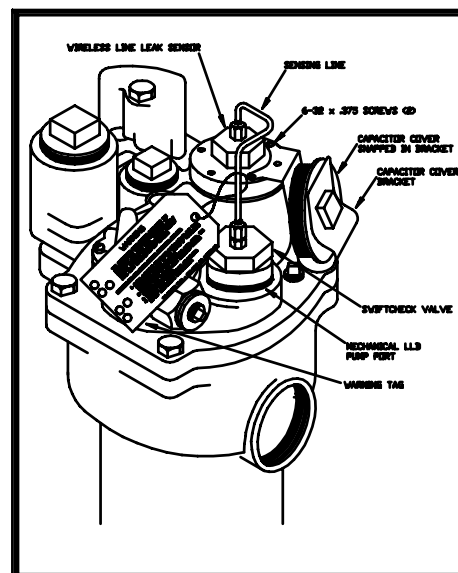
SOLID STATE SUMP SENSOR TO JUNCTION BOX "E"



SOLID STATE PAN SENSOR TO JUNCTION BOX "E"



PRESSURIZED LINE LEAK DETECTOR TO JUNCTION BOX "G"



WIRELESS PRESSURIZED LINE LEAK DETECTOR

- DISCRIMINATING SUMP SENSOR TO JUNCTION BOX "B"
- SOLID STATE DISCRIMINATING SUMP SENSOR TO JUNCTION BOX "F"

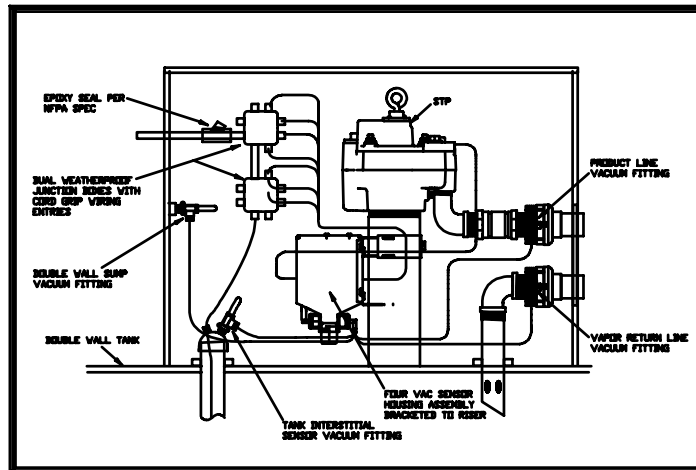
- DISCRIMINATING PAN SENSOR TO JUNCTION BOX "B"
- SOLID STATE DISCRIMINATING PAN SENSOR TO JUNCTION BOX "F"

VEEDER-ROOT SIMSBURY, CONNECTICUT 06070 U.S.A.

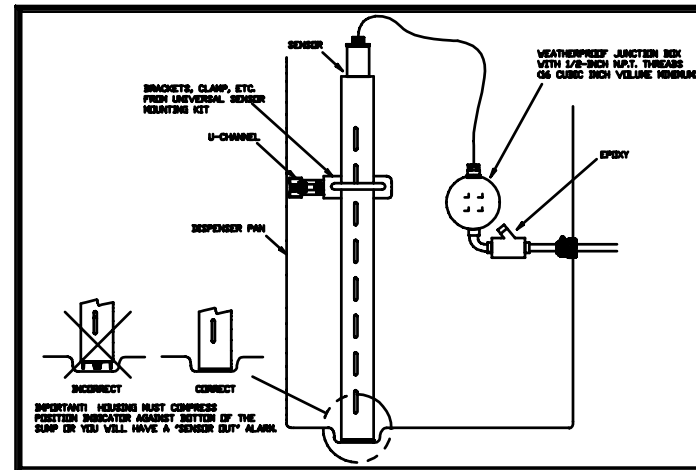
NOTICE - THIS DOCUMENT IS THE PROPERTY OF THE VEEDER-ROOT COMPANY AND IS NOT TO BE DISCLOSED, REPRODUCED IN WHOLE OR IN PART, OR USED FOR MANUFACTURE BY ANYONE WITHOUT VEEDER-ROOT'S WRITTEN CONSENT.

SYSTEM WIRING DIAGRAM
TLS-350 VEEDER-ROOT

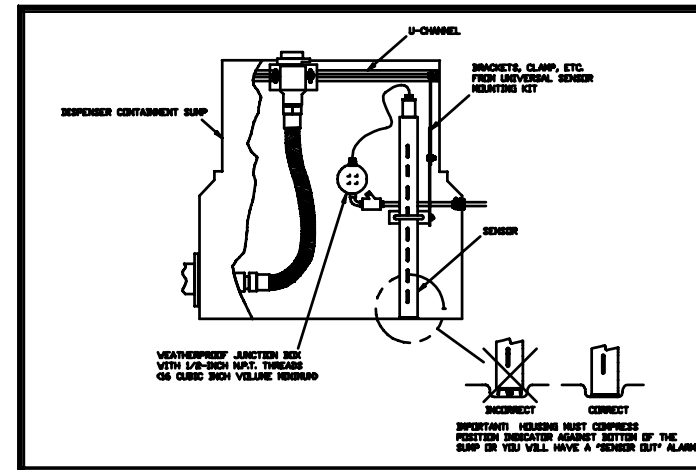
SIZE	DRAWING NUMBER	REV.	STATUS
D	329839-001	K	REL
SCALE	FULL	SHEET	2 OF 3



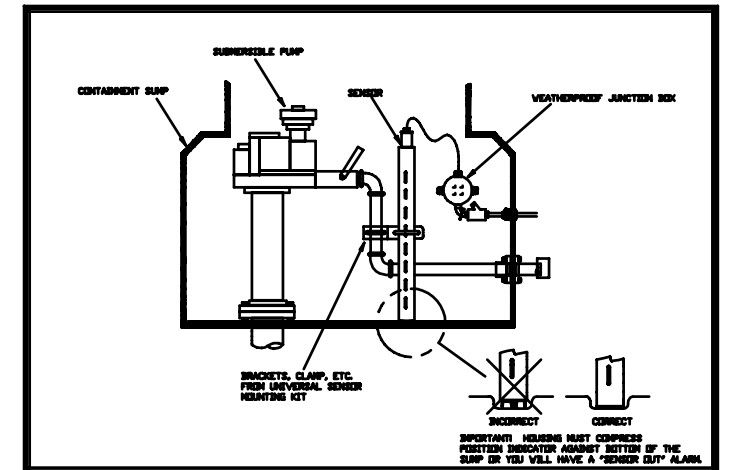
VACUUM SENSOR TO JUNCTION BOX "H"



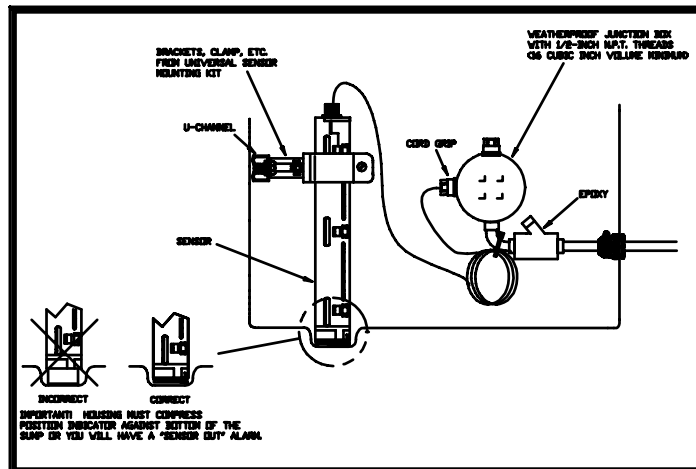
MAG SUMP DISPENSER PAN SENSOR TO JUNCTION BOX "H"



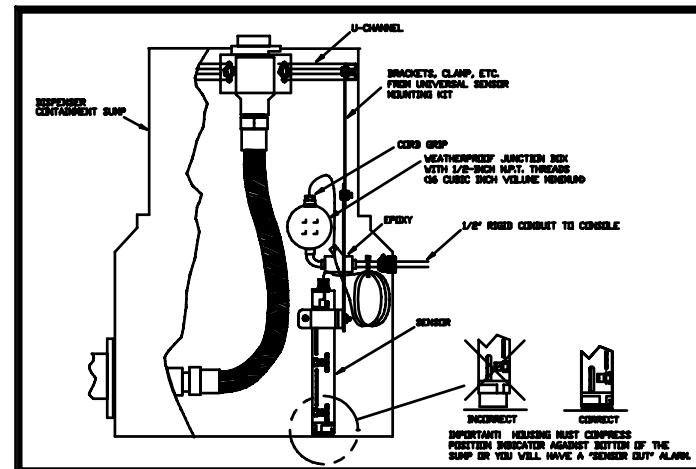
MAG SUMP DISPENSER CONTAINMENT SUMP SENSOR TO JUNCTION BOX "H"



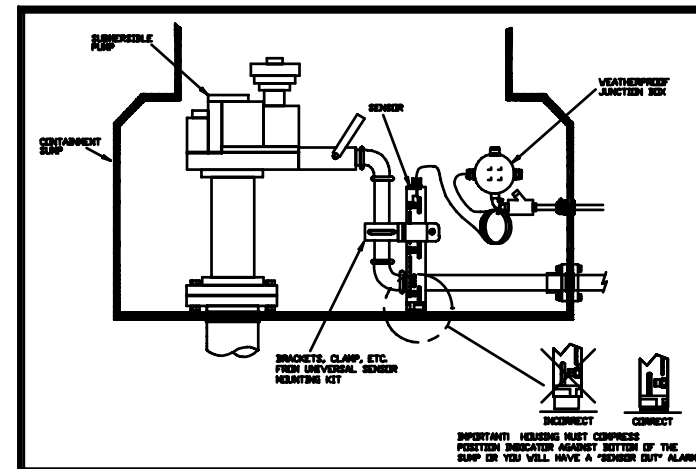
MAG SUMP STP CONTAINMENT SUMP SENSOR TO JUNCTION BOX "H"



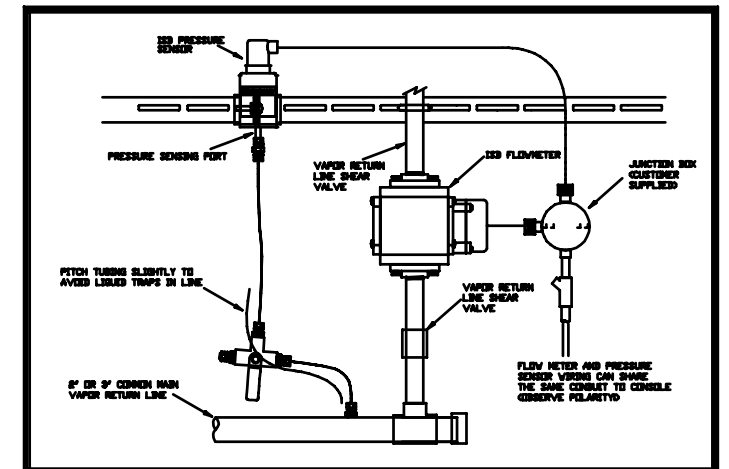
POSITION-SENSITIVE DISPENSER PAN SENSOR TO JUNCTION BOX "H"



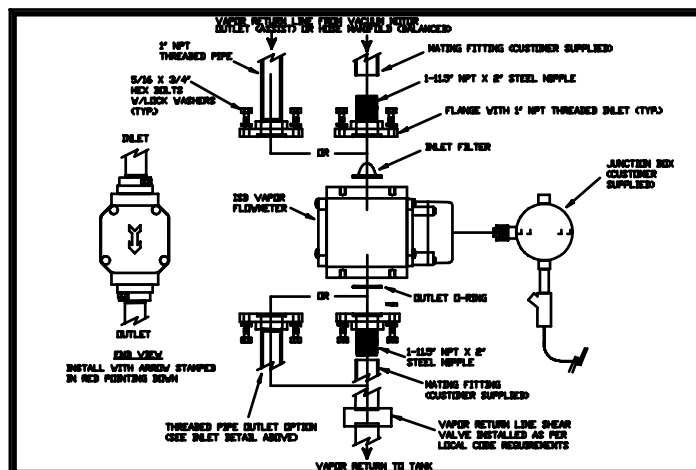
POSITION-SENSITIVE DISPENSER CONTAINMENT SUMP SENSOR TO JUNCTION BOX "H"



POSITION-SENSITIVE STP CONTAINMENT SUMP SENSOR TO JUNCTION BOX "H"



ISD PRESSURE SENSOR TO JUNCTION BOX "H"



ISD VAPOR FLOW METER TO JUNCTION BOX "H"

VEEDER-ROOT SIMSBURY, CONNECTICUT 06070 U.S.A.

NOTICE - THIS DOCUMENT IS THE PROPERTY OF THE VEEDER-ROOT COMPANY AND IS NOT TO BE DISCLOSED, REPRODUCED IN WHOLE OR IN PART, OR USED FOR MANUFACTURE BY ANYONE WITHOUT VEEDER-ROOT'S WRITTEN CONSENT.

SYSTEM WIRING DIAGRAM
TLS-350 VEEDER-ROOT

SIZE	DRAWING NUMBER	REV.	STATUS
D	329839-001	K	REL
SCALE	FULL	SHEET 3	OF 3