

# Red Jacket IQ2 Controller

**Kit – Adapter and Terminator (Part No. 0411066-001)**

## Installation Instructions

### Required Tools

- None

### Instructions

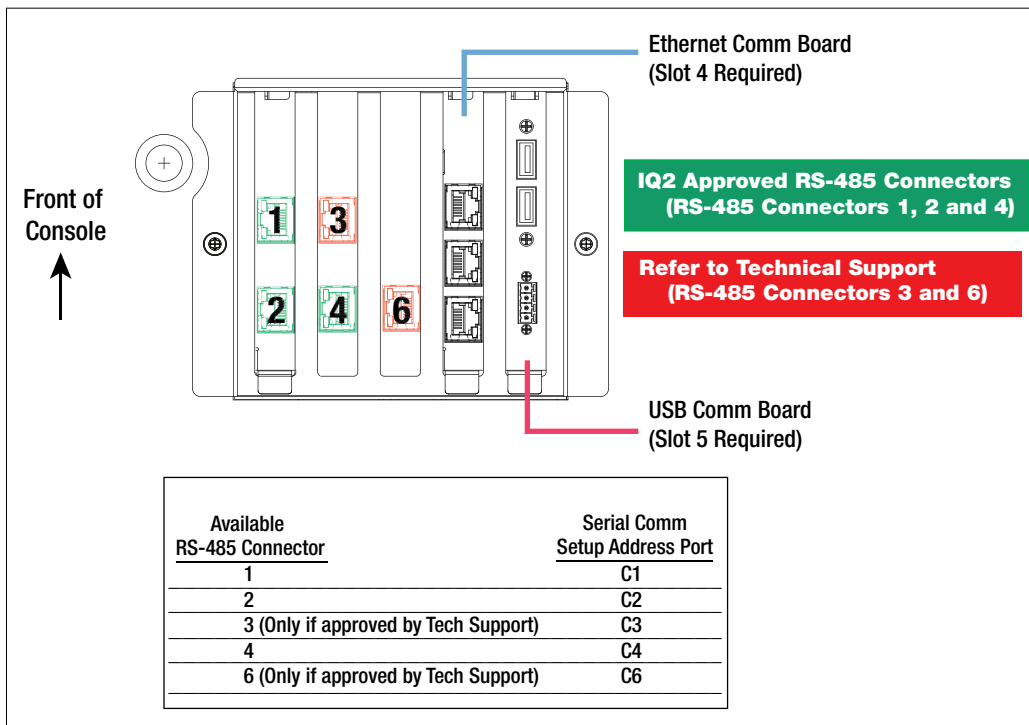
This kit includes a TLS-450Plus IQ2 Adapter Cable and an IQ2 Network Terminator. This kit is for building an IQ2 network connected to a TLS-450PLUS.

#### TLS-450PLUS/IQ2 Controller Network Comm Connections

1. Figure 1 shows all possible RS-485 connectors for IQ2 network communication with the TLS-450PLUS.



**Use of RS-485 Connectors 3 and 6 (Figure 1) must be approved by Veeder-Root Tech Support.**



**Figure 1. All Possible IQ2 Controller Network RS-485 Connections to the TLS-450PLUS**

1. Connect the IQ2 Adapter Cable to an approved RS-485 port of the TLS-450PLUS.
2. Connect an Ethernet cable between the IQ2 Adapter Cable and a comm port on the first IQ2 (see Figure 2).
3. If only one IQ2 is used, attach the IQ2 Network Terminator to the second IQ2 Controller comm port.
4. If additional IQ2s are in the network, follow the connection example shown in Figure 2, making sure to insert the IQ2 Network Terminator in the unused comm port of the last IQ2 Controller.

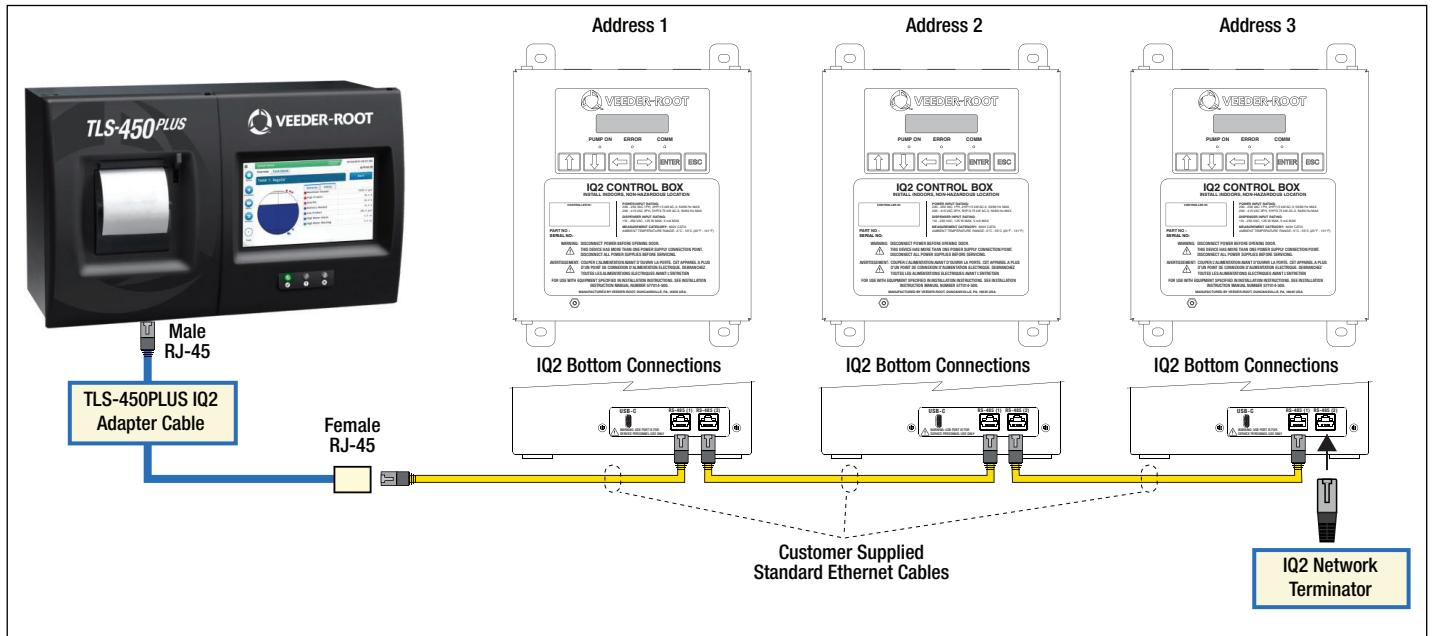


Figure 2. TLS-450PLUS/IQ2 Controller Network Example

A properly connected IQ2 Controller network will always have both RS-485 ports populated in each IQ2 that is part of the network.

Contact Veeder-Root / Red Jacket Technical Support for additional troubleshooting information at 1-800-323-1799 or [technicalsupport@veeder.com](mailto:technicalsupport@veeder.com)