

Installation Instructions

MAXXUM BIG-FLO — SIPHON INSTALLATION KIT

The following defined terms are used throughout this literature to bring attention to the presence of hazards of various risk levels, or to important information concerning the life of the product.

DANGER

indicates presence of a hazard which *will* cause *severe* personal injury, death or substantial property damage if ignored.

CAUTION

indicates presence of a hazard which *will* or *can* cause *minor* personal injury, death or substantial property damage if ignored.

WARNING

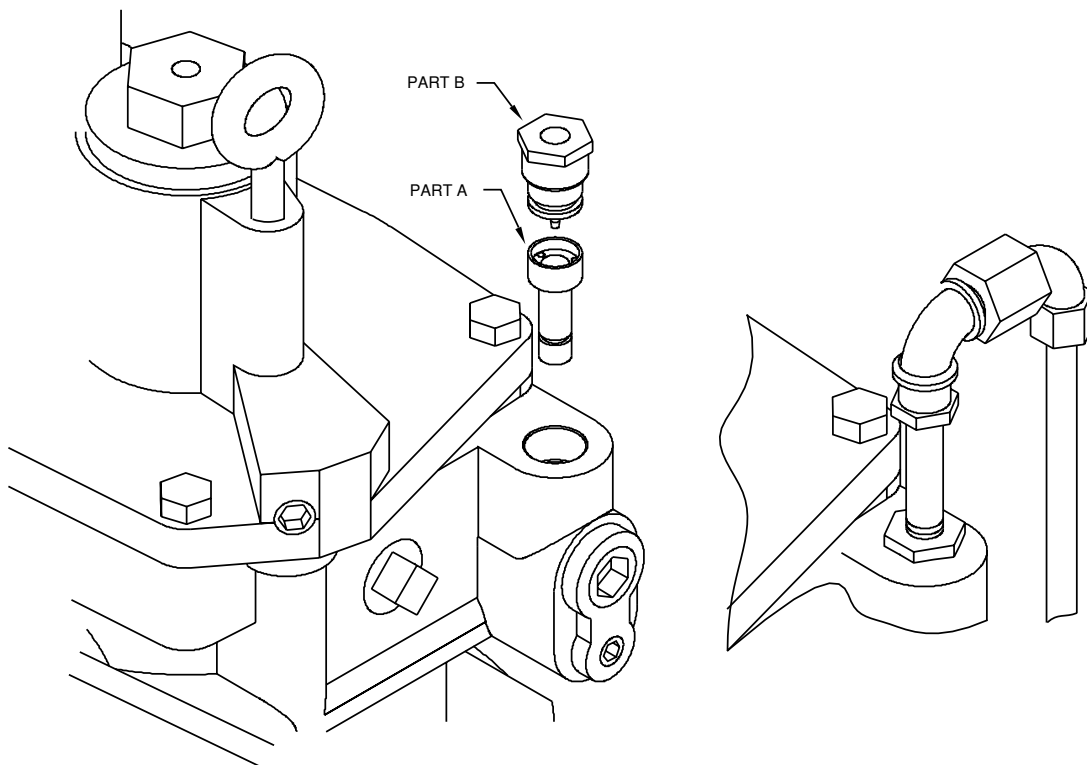
indicates presence of a hazard which *can* cause *severe* personal injury, death or substantial property damage if ignored.

NOTICE

indicates special instructions on installations, operation, or maintenance which are important but not related to personal injury hazards.

NOTICE Remove brass plug and lubricate all O-rings before proceeding.

1. Insert part "A" into bore until O-ring is seated. Part will bottom out.
2. Screw in part "B" as far as it will go. Then torque it to 15 ft-lb.
3. Install siphon line as instructed in the Maxxum manual.



Marley Pump
A United Dominion Company

500 East 59th Street • Davenport, IA 52807

319-391-8600 • www.redjacket.com

Marley Pump reserves the right to make design improvements and pricing modifications as necessary and without notice.

©2000 Marley Pump

Printed in USA

042-224-1 Rev. A 1/00