

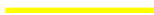




BRCM2 Detailed Use Cases and Resulting Forecourt Wiring

Model number breakdown:

PA0422		0000		2
	0	Standard	0	Standard
	1		1	
	2		2	
	0=115 only, 1 = 230/240, 2 = international		Number of D-box boards included	

Model number: **Application:**
PA04222000002: For use with external forecourt 2-wire current sources
 To upgrade an existing D-box to equivalent of '12 or '22 models.
PA04220000012: 1:8 D-box board with high-speed signaling.
PA04220000022: 1:16 or dual 1:8 D-box with high-speed signaling.

Legend for subsequent drawings:

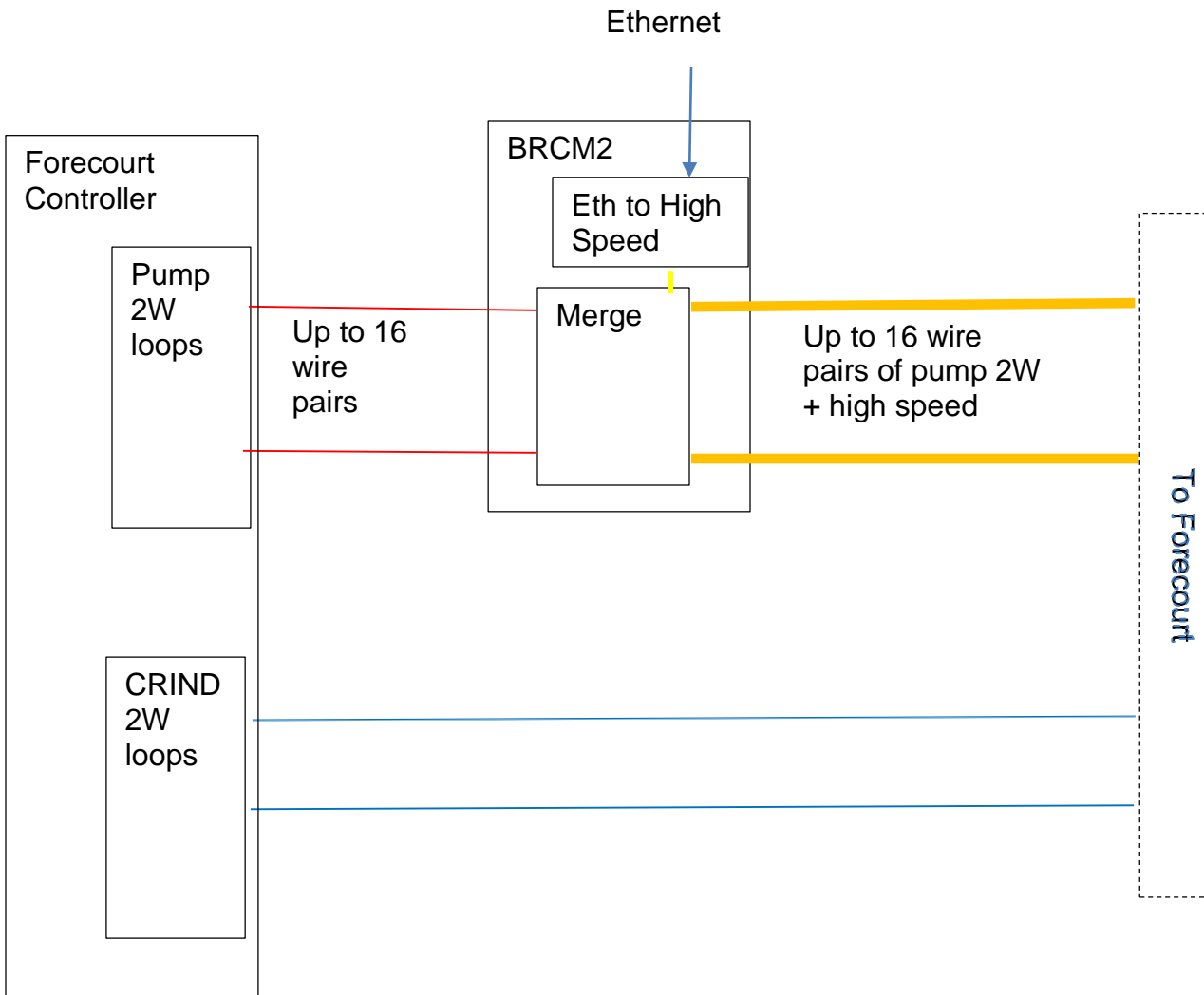
High speed	Pump data	Pump + high speed	CRIND data	CRIND + High speed
				

Note that Red + yellow = orange and blue + yellow = green). When we transition to EMV, the blue connections go inactive and green connections revert to yellow.

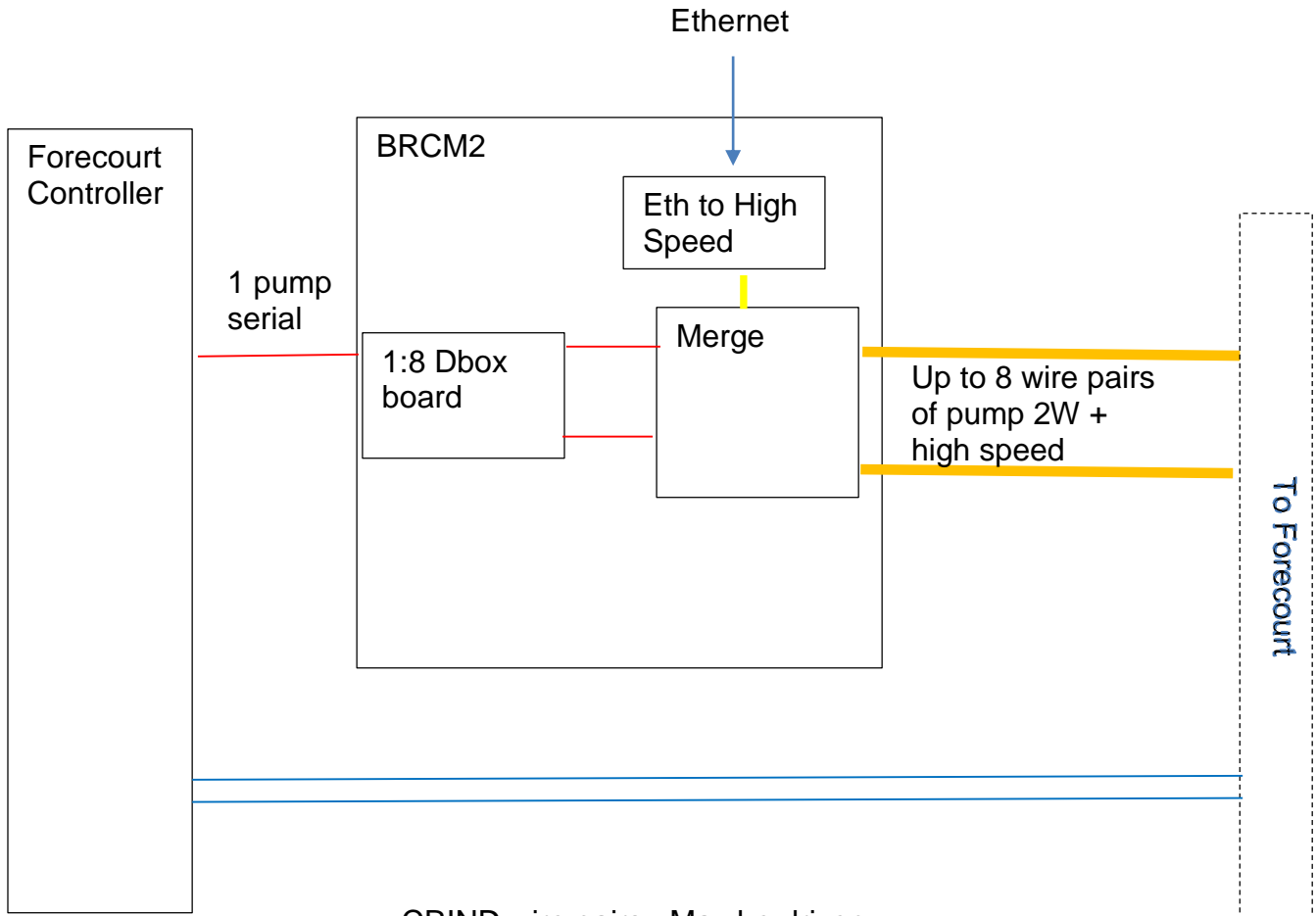
3rd Party Forecourt Controller Directly Driving Pump 2W.

Model number: PA04222000002

This configuration has been referred to as “pass-through” because the 2-wire source is externally provided. However, because of a slight voltage drop in the merge board, the open-circuit voltage on the wire pairs from the forecourt controller must be at least 8V DC or communications will be unreliable. Examples of forecourt controllers that do not meet this requirement are the NCR Tiger and Panther, as well as the GVR PAM5000.



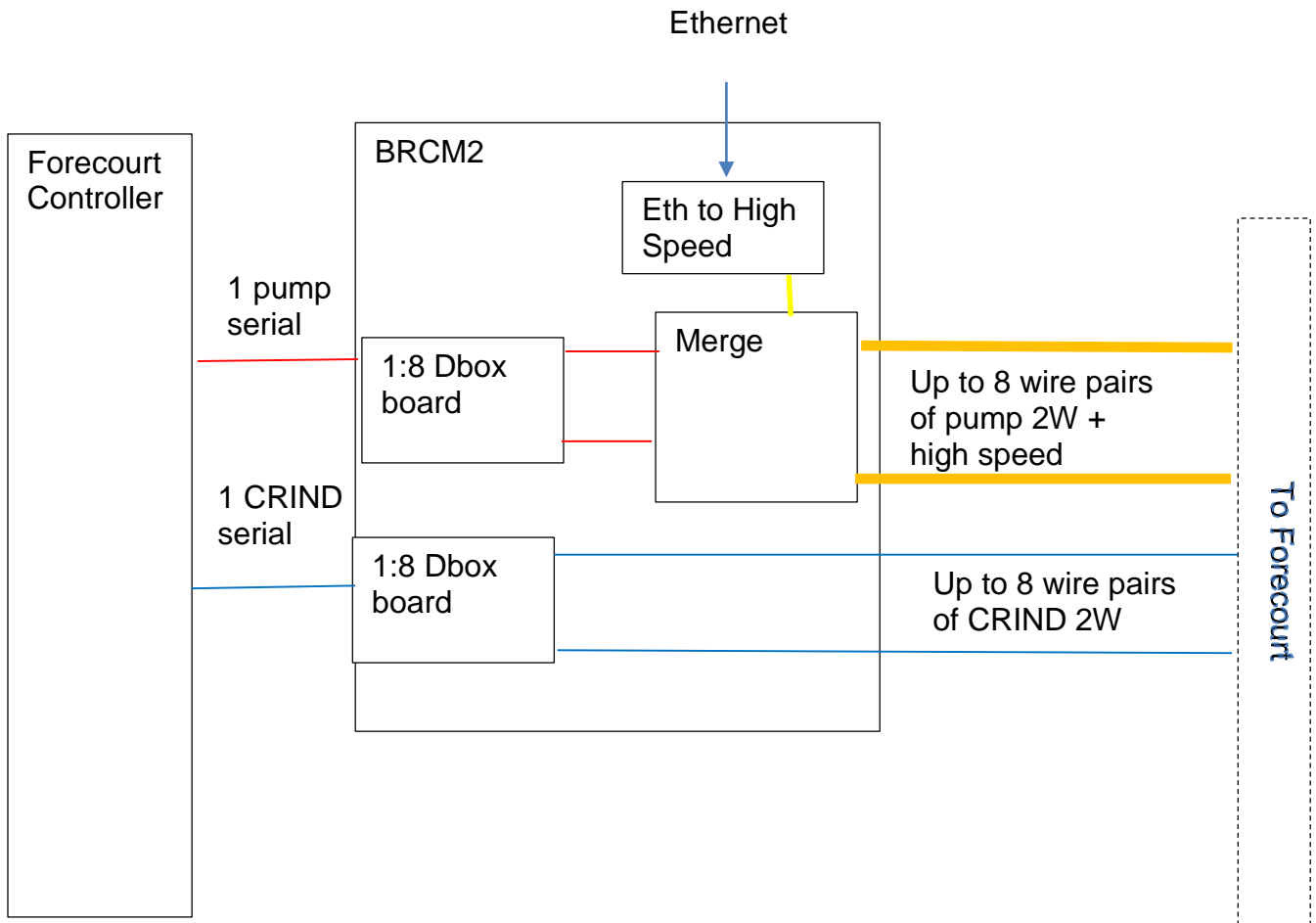
3rd Party POS Using D-box – Model '12



CRIND wire pairs. May be driven directly from POS or via another D-box.

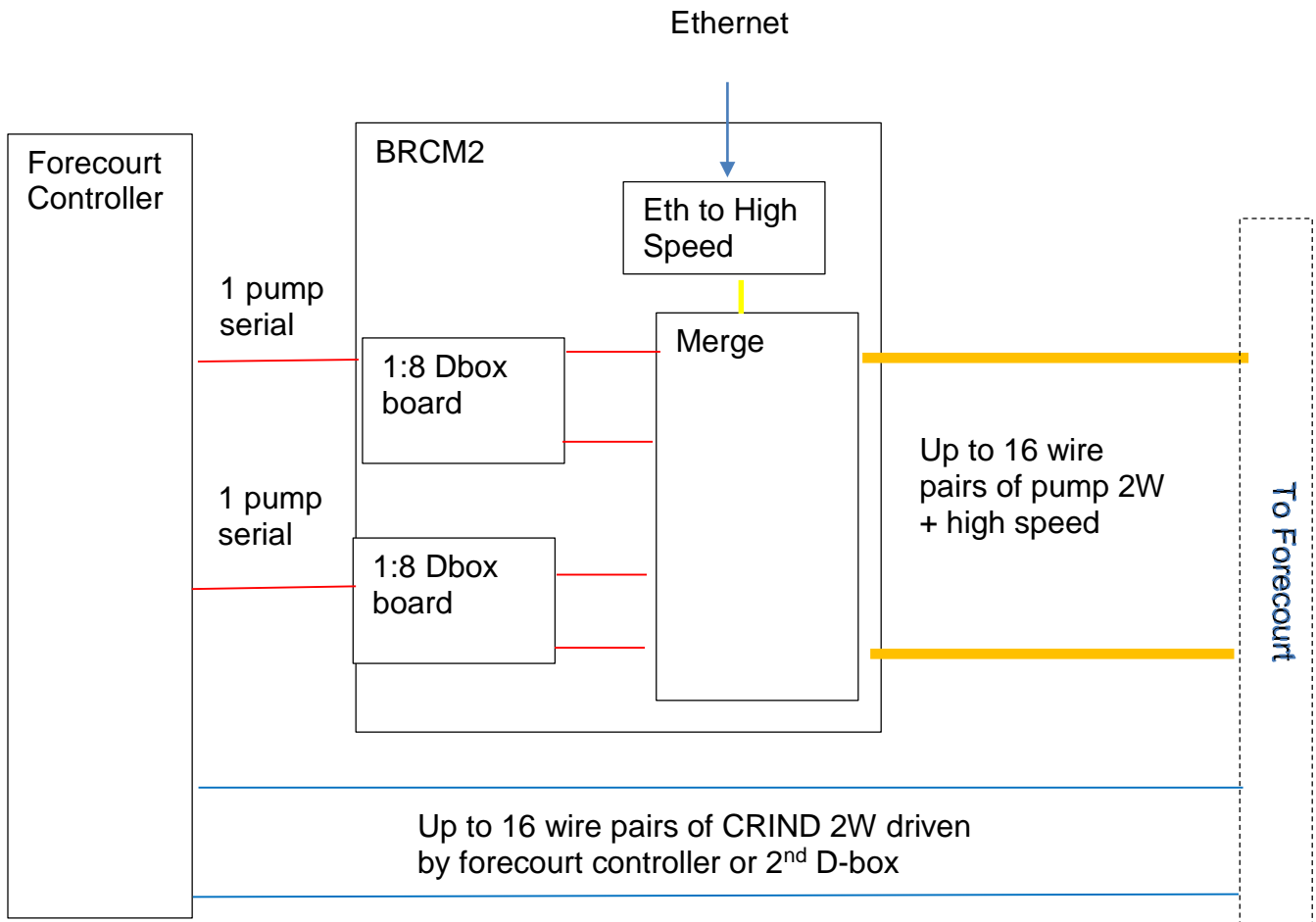
3rd Party POS Using D-box – Model '22

Up to 8 Dispensers



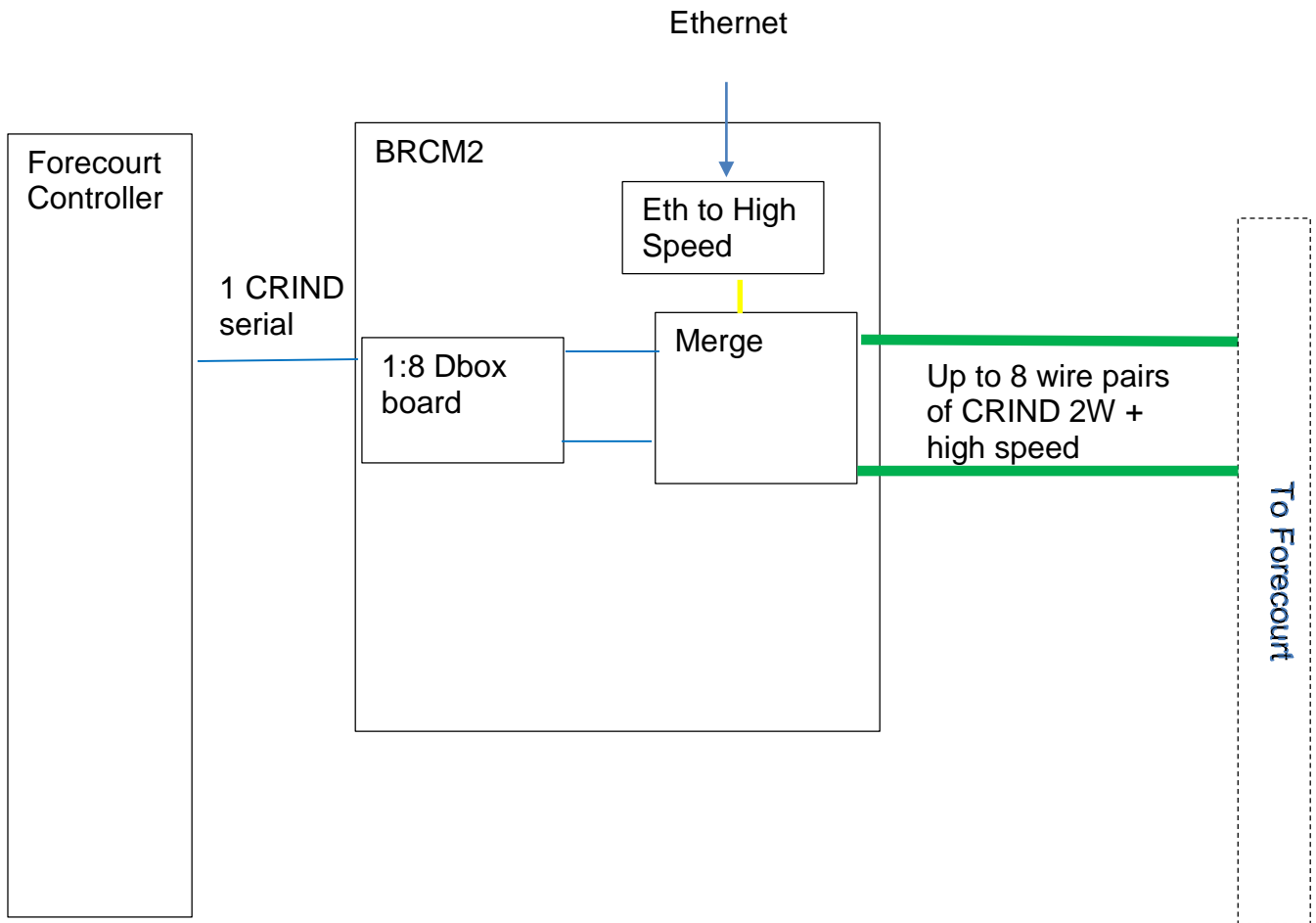
3rd Party POS Using D-box – Model '22

Up to 16 Dispensers



Passport POS Using D-box – Model '12

Up to 8 Dispensers



Passport POS Using D-box – Model '22

Up to 16 Dispensers

