

**V**  
**R** VEEDER-ROOT  
INSTALLATION INSTRUCTIONS

Technical Manual  
8-023  
Issued: 8/99  
Supersedes: 9/95

251494  
Rev. B

# SERIES 7887 METER REGISTER

Dust Sealing Kit #312020-734





# Installation Instructions 7887 Meter Register Dust Sealing Kit

## SECTION 1. INTRODUCTION

These instructions are for installing the Dust Sealing Kit in the Series 7887 Meter Register. This kit is designed and manufactured by the Veeder-Root Company, 6th Avenue at Burns Crossing, Altoona, PA 16603-1673. Telephone: (800) 873-3313.

**NOTE:** This kit is intended for applications in dry, high dust, low humidity regions.

## SECTION 2. KIT PARTS LIST

Check the kit contents to ensure that all parts are included. Numbers in parentheses in the text refer to item numbers in the parts list.

## SECTION 3 RECOMMENDED TOOLS

Standard tools normally used to install equipment of this type are required for installing the sealing kit. No special tools are required.

### PARTS KIT LIST

Item No.	Part No.	Description	Quantity
1	80395-4-020	Rubber Tubing	1
2	G-319270-001	Retainer Group	1
3	514100-180	Sealant - Silicon Rubber 2.8 oz. Tube	1
4	251494	Instructions	1
5	11853-DL-285	Seal Wire	1
6	44602-005	Lead Seal	1

## SECTION 4. INSTALLATION INSTRUCTIONS

1. Remove the top cover from register housing by removing seal wire and four hex head bolts located at the four corners of the bottom of register housing. See Figure 1.
2. Remove the reset knob by rotating knob counterclockwise.
3. Remove the reset shaft flange from the right hand side of housing by removing three screws shown in Figure 2. Discard the flange, but retain the screws.
4. Remove the three buttonhead screws (Figure 1) that secure the meter register to the housing. Remove the register.
5. Place the top cover on a flat surface, groove side up. Partially fill peripheral groove (Figure 2) with sealant (3). Carefully place the rubber gasket material (1) into the sealant all around groove. Trim off any excess.
6. Locate the four unused threaded mounting holes in the base mounting ring of housing (Figure 1). Mask these on the outside of housing with tape and fill housing holes from inside of housing with sealant (3).
7. Locate the four 3/8 inch drain holes at bottom of housing (Figure 1). Mask these on the outside of housing with tape. Fill holes from inside of housing with sealant (3).
8. Mask holes in the top of gearplate from inside of the register housing, except the locating pin slot. See Figure 1. Turn housing upside down and fill all open holes (except locating pin slot) with sealant. Do not seal rim of gearplate or shaft protrusions.
9. Run a thin bead of sealant all around the crystal where it meets inside of housing, using a minimum of sealant. Wipe off any runs or excess.
10. Allow sealant to set in all areas of housing for approximately 30 minutes. Remove masking tape from top of gearplate.
11. Replace register into housing using the three buttonhead screws removed in Step 4. Check for proper engagement of bevel gears by rotating input shaft and observing wheel advance.
12. Turn register on its side (reset shaft up). Fill the locating pin slot (Figure 1) with sealant.
13. Attach special flange (2) from kit to housing over reset shaft using the three screws removed in Step 3. Use existing seal gasket. See Figure 3.
14. Screw reset knob onto shaft (clockwise rotation), and visually check reset zeroing. Check for clutch disengagement during resetting.
15. Replace the top cover, using the four hex head bolts removed in Step 1. Replace seal wire and lead seal (5 and 6).

**Note:** Carefully align the embedded seal gasket over housing rim to ensure proper seal.

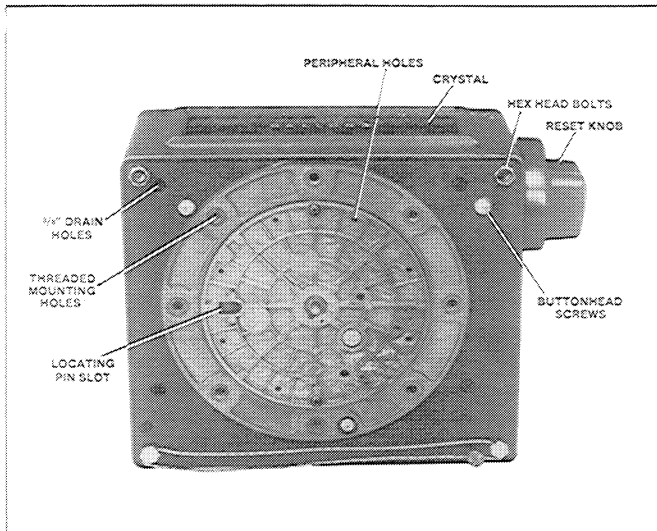


Figure 1.

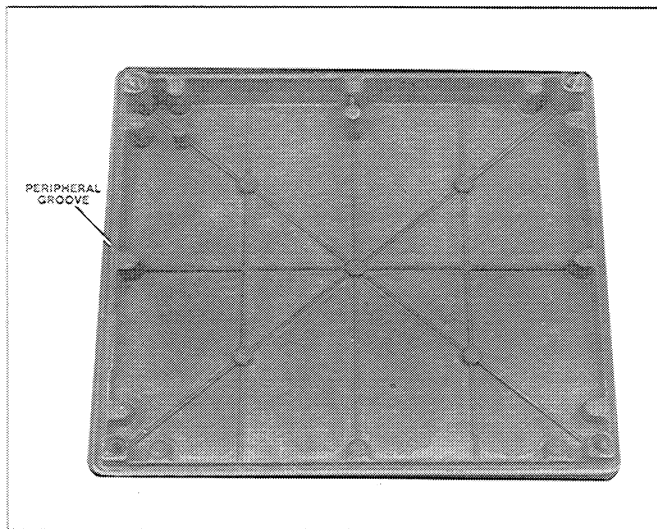


Figure 2. Underside of Register Cover

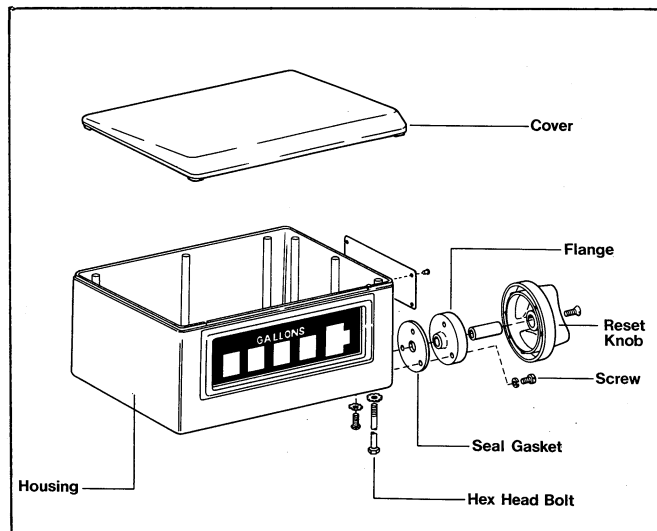


Figure 3.

### WARRANTY AND CONDITIONS

**A. WARRANTY.** We warrant that our products shall be free from defects in material and workmanship for a period of one year from the date of shipment thereof or the products total rated life, whichever first occurs. Within the warranty period we shall repair or replace such products which are returned to us with the shipping charges prepaid and which are determined by us to be defective. This warranty will not apply to any product which has been subjected to misuse, negligence, or accident; or misapplied; or used in violation of product manuals, instructions or warnings; or modified or repaired by unauthorized persons; or improperly installed.

**B. INSPECTION.** You shall inspect the product promptly after receipt and shall notify us at our Altoona office in writing of any claims, including claims of breach of warranty, within thirty days after you discover or should have discovered the facts upon which the claim is based. Your failure to give written notice of a claim within the time period shall be deemed to be a waiver of such claim.

**C. LIMITATIONS OF REMEDY AND WARRANTY.** The provisions of Paragraph A are our sole obligation and exclude all other remedies or warranties, express or implied, including warranties of MERCHANTABILITY and FITNESS FOR A PARTICULAR PURPOSE, whether or not purposes or specifications are described herein. We further disclaim any responsibility whatsoever to you or to any other person for injury to person or damage to or loss of property or value caused by any product which has been subjected to misuse, negligence, or accident; or misapplied; or used in violation of product manuals, instructions or warnings; or modified or repaired by unauthorized persons; or improperly installed.

**D. LIMITATION OF DAMAGES.** Under no circumstances shall we be liable for any incidental, consequential or special damages, losses or expenses arising from this contract or its performance or in connection with the use of, or inability to use, our product for any purpose whatsoever.

**E. LIMITATION OF ACTIONS.** No action regardless of form may be commenced more than one year after the cause of action has accrued, except an action for nonpayment.

**F. COLLATERAL PROMISES.** There are no representations, warranties, or conditions express or implied, statutory or otherwise except those herein contained, and no agreements or waivers collateral hereto shall be binding on either party unless in writing and signed by you and accepted by us at our Altoona office.

**G. INTERPRETATION.** Rights and liabilities arising out of any contract with us shall be determined under the Uniform Commercial Code as enacted in Connecticut.



6th Avenue at Burns Crossing, P.O. Box 1673, Altoona, PA 16603-1673 Phone (814) 695-4476, or (800) 873-3313, Fax (814) 695-7605, or (800) 234-5350  
BRAZIL: Sao Paulo • CANADA: Mississauga, Ontario • ENGLAND: Richmond Surrey • FRANCE: Aulnay-Sous-Bois • GERMANY: Aldingen • SINGAPORE: Singapore

13283 Replaces 10697

VRA7 <sup>PRINTED</sup>  
IN  
U.S.A. 99