

Addendum

This is an addendum for the *Dispenser Pan Sensors and Containment Sump Sensors for TLS Consoles* Installation Manual (Manual Number 576013-306).

Installing the Fiberglass Trench Liner Sensor

This section describes the hardware, requirements, and procedures for installing the Solid-State Discriminating Fiberglass Trench Liner Sensor.

Installation Hardware

The Fiberglass Trench Liner Sensor comes with the following installation hardware:

- One 12-foot long cable (including connector) (Part No. 331103-002)

Important ☞ *If a longer cable is required, you may order a 20-foot long cable (Part No. 331103-001).*

- 1 Installation Kit (Part No. 330020-287)
- 1 Installation Addendum

Installation Requirements

The Fiberglass Trench Liner Sensor should rest at the lowest point of the fibertrench system. This point should be in the sump if there is a sump present.

Sensor-to-Console Wiring

Wire Type

In order to ensure the best operating systems available, Veeder-Root **REQUIRES** the use of shielded cable for all probes and sensors regardless of conduit material or application. In these installations, shielded cable must be rated less than 100 picofarad per foot and be manufactured with a material suitable for the environment, such as Carol™ C2534 or Belden™ 88760 or 8760.

Important ☞ *When using bonded metal conduit, the wiring **MUST** be contained in bonded metal conduit the **ENTIRE** way to the console, including wiring located indoors. Bonded conduit means that the metallic sections of conduit are permanently joined to form an electrically conductive path that will assure electrical continuity, and that the conduit has the capacity to conduct safely, any current likely to be imposed.*

Installation Procedures

 WARNING	
 	<p>This device is installed in equipment where potentially lethal voltages may exist.</p> <p>Electrical shock resulting in serious injury or death may result if power is on during installation and the device is improperly installed.</p> <p>Before installing this device, turn off power to the system.</p>



To install the Sensor:

1. Turn OFF power to the TLS console.
2. Inspect for any liquid in trench liner prior to installation.
(Liquid levels at or above 13.3" will activate alarm with 794380-361. See Figure 2)
(Liquid levels at or above 3.0" will activate alarm with 794380-362. See Figure 1)
3. Lower the sensor into the Monitoring Well.

Important 

Refer to Figure 1, "Typical Fiberglass Trench Liner Sensor Installation without Sump" and Figure 2, "Typical Fiberglass Trench Liner Sensor Installation with Sump"

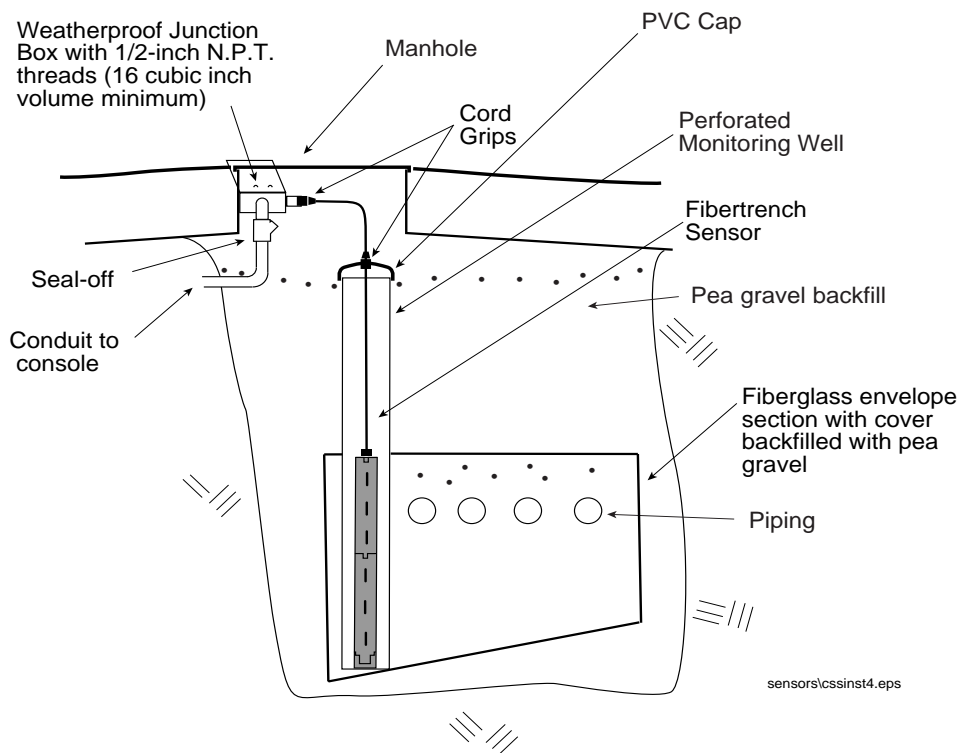


Figure 1. Typical Fiberglass Trench Liner Sensor Installation Without Sump using 794380-362

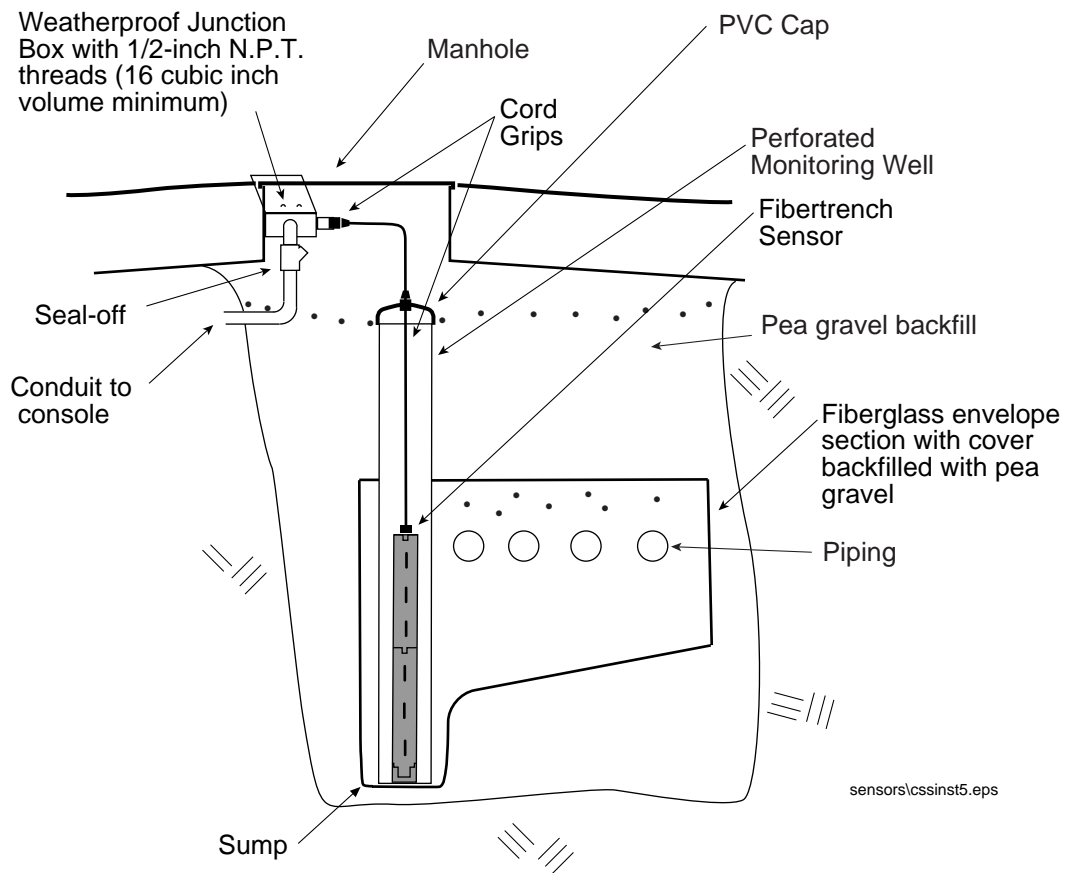


Figure 2. Typical Fiberglass Trench Liner Sensor Installation with Sump using 794380-361.

4. Install the Cord Grip (Part No. 331028-011), supplied with the wiring kit, in the PVC cap.
5. Feed the cable through the cord grip on the cap.
6. Tighten the cord grip nut to ensure a watertight seal.
7. Install the Cord Grip (Part No. 331028-011), supplied with the wiring kit, on the junction box.
8. Feed the cable through the cord grip on the junction box.
9. Tighten the cord grip nut to ensure a watertight seal at the cable entry.
10. Using wire nuts, connect the three-wire cable to the field wires in the sensor junction box. Be sure to observe color codes to maintain proper polarity hookup with the Type B Interface Module (Part No. 847490-106) in the TLS-350 or TLS-350R console.

Important ☞ Refer to Figure 3 below.

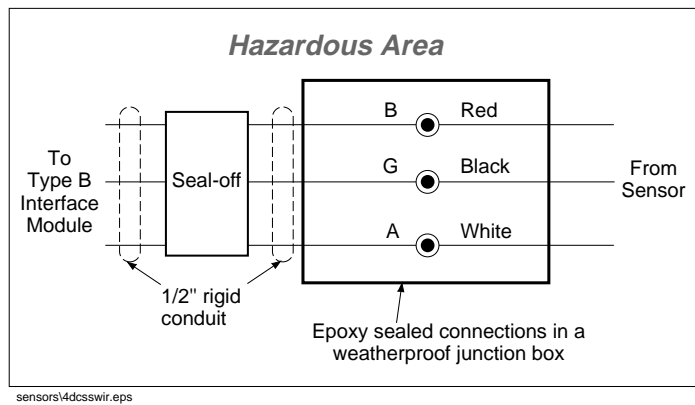


Figure 3. Three-Wire (Type B Interface) Sensor Wiring Installation Diagram

Important ☞ Refer to Figure 4: “Epoxy Sealant for Three-Wire Connections” below.

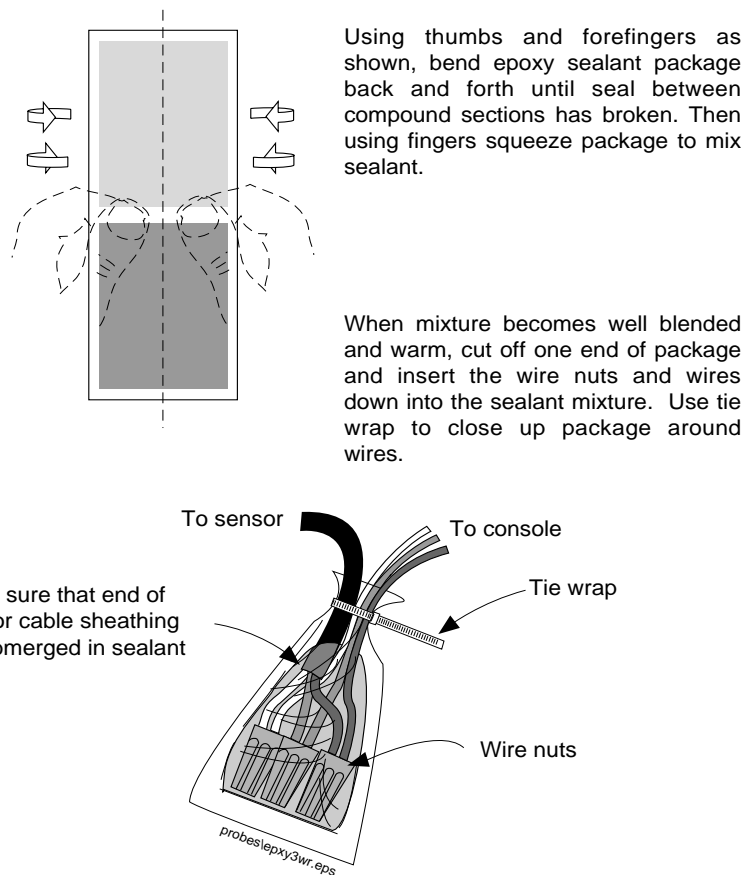


Figure 4. Epoxy Sealant for Three-Wire Connections