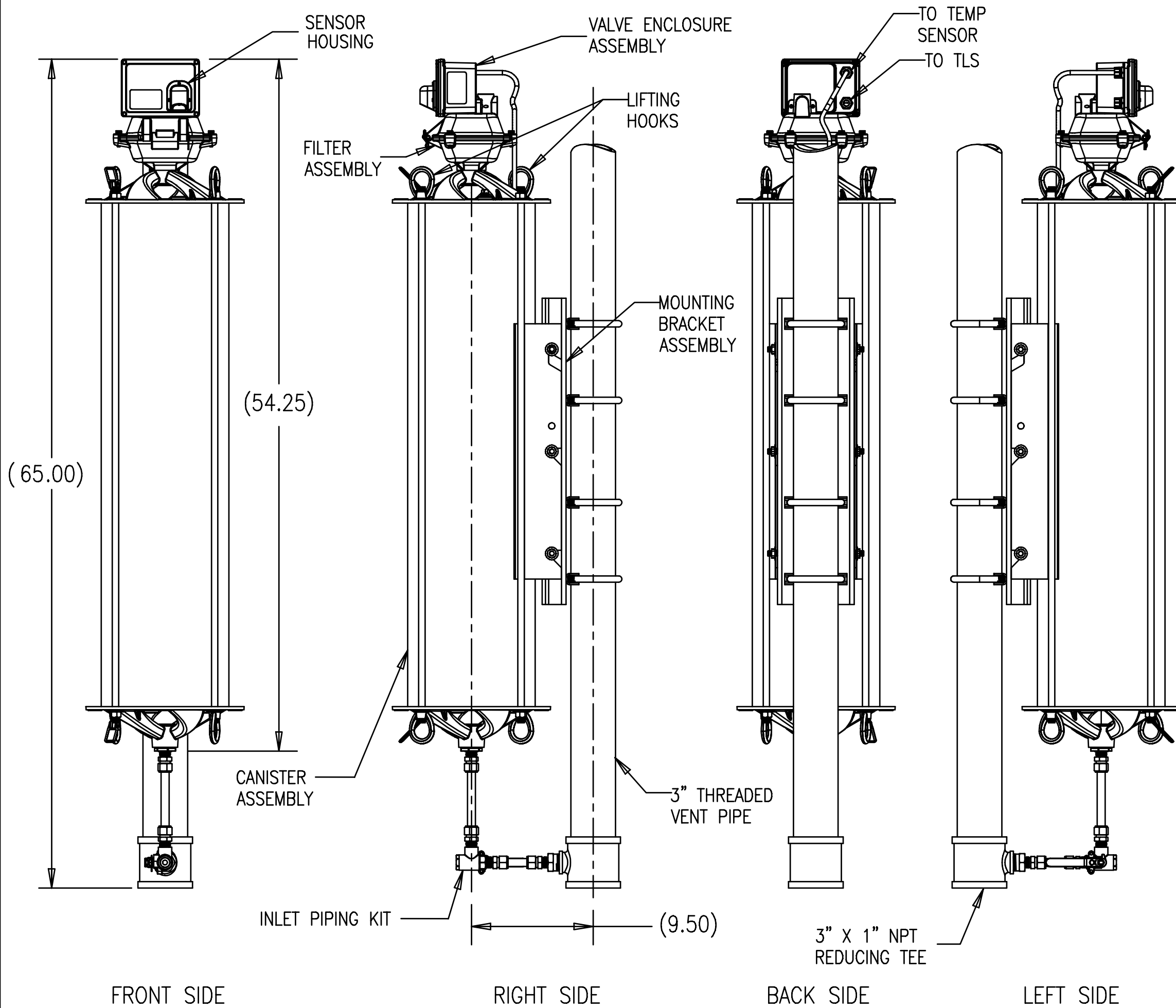
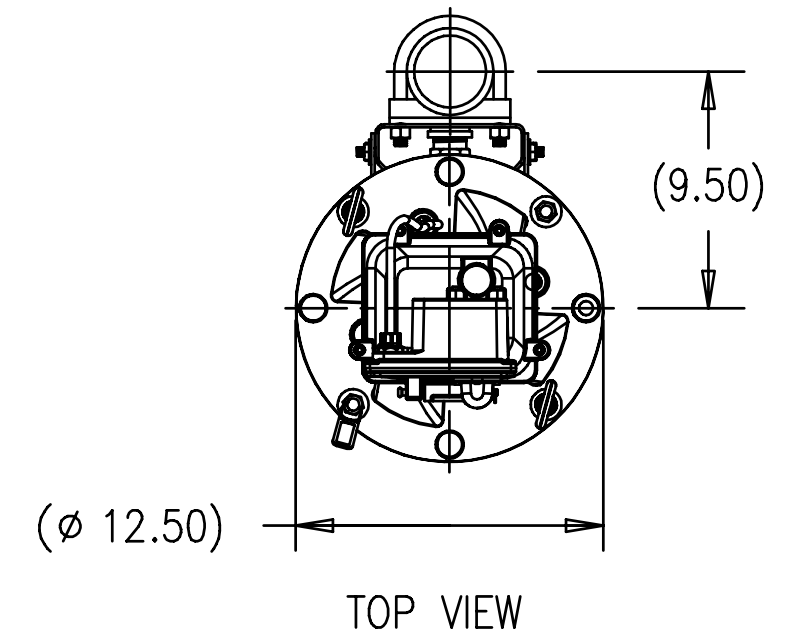



REV	DESCRIPTION	BY	DATE	ECO
A	INITIAL RELEASE	ISP	10.16.08	Z086-130

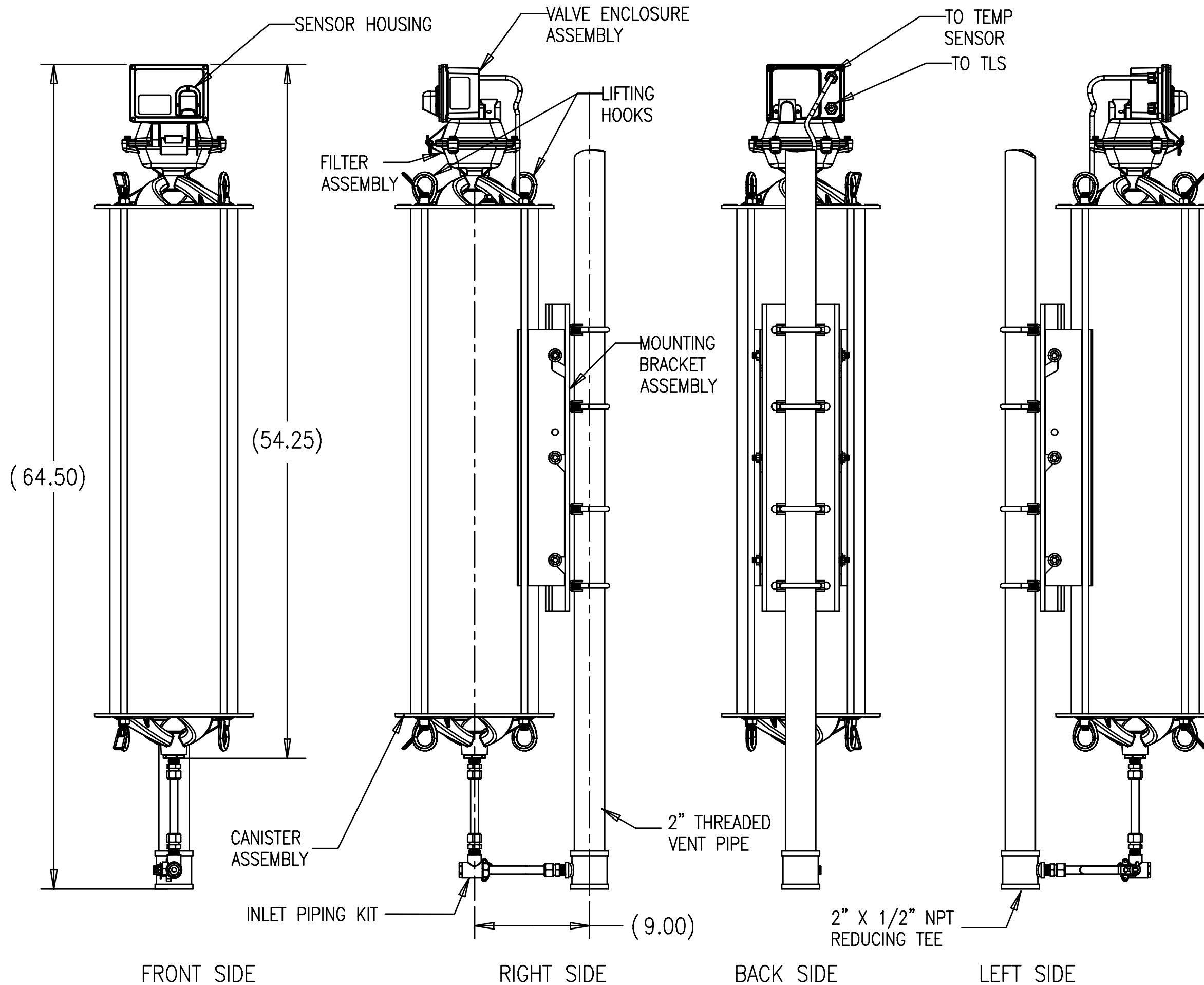


NOTES:

1. ILLUSTRATIONS SHOW TYPICAL INSTALL OF CARBON CANISTER MOUNTED ON A 3" RISER PIPE KIT, WITH INLET PIPE KIT.
2. ILLUSTRATIONS & CONTENT ARE FOR REFERENCE ONLY. PLEASE CONTACT VEEDER ROOT FOR ANY UPDATES.

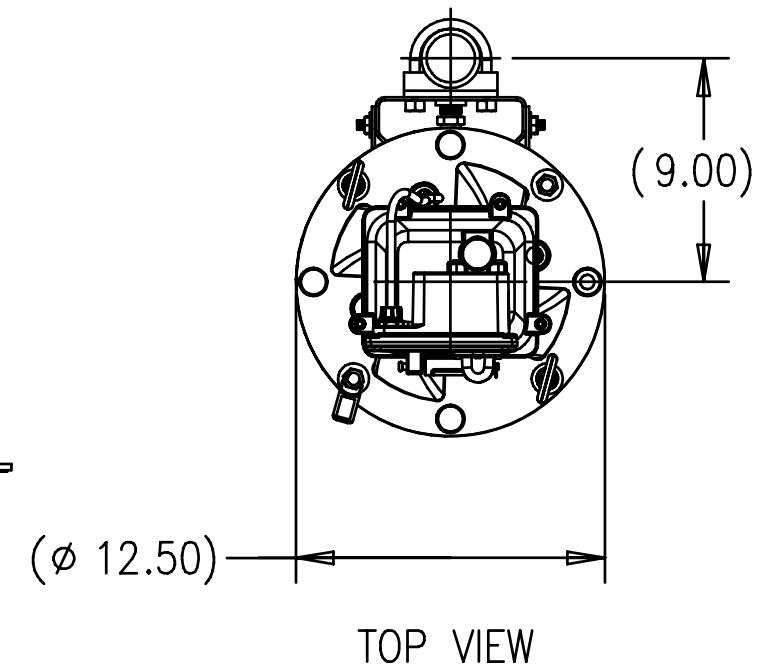


DO NOT SCALE DRAWING				
	NAME	DATE	NEXT GRP.	
DESIGNER	I.POWER	10.13.08	ASSEMBLY	
PROJECT	J.BEVINS	10.13.08	FORM NO	
MATERIAL	 VEEDER-ROOT SIMSBURY, CONNECTICUT 06070 U.S.A.			
N/A	NOTICE - THIS DOCUMENT IS THE PROPERTY OF THE VEEDER-ROOT COMPANY AND IS NOT TO BE DISCLOSED, REPRODUCED IN WHOLE OR IN PART, OR USED FOR MANUFACTURE BY ANYONE WITHOUT VEEDER-ROOT'S WRITTEN CONSENT.			
REFERENCE MFG. SPEC VRS 81005 WHERE IT IS APPLICABLE	SITE LAYOUT DRAWING CARBON CANISTER, 3" PIPE MOUNT			
UNSPECIFIED TOLERANCES +/- .250	SIZE	DRAWING NUMBER	REV.	STATUS
	B	333046-001	A	REL
SCALE: 0.125			SHEET 1 OF 2	



NOTES:

1. ILLUSTRATIONS SHOW TYPICAL INSTALL OF CARBON CANISTER MOUNTED ON A 2" RISER PIPE KIT, WITH INLET PIPE KIT.
2. ILLUSTRATIONS & CONTENT ARE FOR REFERENCE ONLY. PLEASE CONTACT VEEDER ROOT FOR ANY UPDATES.



		SIMSBURY, CONNECTICUT 06070 U.S.A.	
<small>NOTICE - THIS DOCUMENT IS THE PROPERTY OF THE VEEDER-ROOT COMPANY AND IS NOT TO BE DISCLOSED, REPRODUCED IN WHOLE OR IN PART, OR USED FOR MANUFACTURE BY ANYONE WITHOUT VEEDER-ROOT'S WRITTEN CONSENT.</small>			
SITE LAYOUT DRAWING CARBON CANISTER, 2" PIPE MOUNT			
SIZE	DRAWING NUMBER	REV.	STATUS
B	333046-001	A	REL
SCALE: 0.125		SHEET 2 OF 2	