

# **Tokheim Dispensing Systems**

## **Veeder-Root Hardware Requirements**

The following equipment is required to interface the TLS to the Tokheim system:

One Tokheim DHC Dispenser Interface Module for Tokheim Vision 100 Vision 200, MEMS IV, or MEMS V Consoles (for Tokheim 67A, 67B, and 98 Consoles use a Tokheim 67/98 DIM)

One installation kit (see Table 1 on page 5)

## **Tokheim DHC Requirements**

SCS 1200 default setting for serial port J2

SCS 9600 default setting for serial port J4

Version 5, rev 6, dated 11/1989 (or later)

The Tokheim DHC itself can be:

Standalone (and used with a third party POS), or

An internal component of a Tokheim Vision 100 Vision 200, MEMS IV, or MEMS V Console

## **Specific Limitations**

Only Tokheim dispensers are supported. Tokheim electronic blenders are supported. The dispensers may feature electronic card readers. Mechanical blenders that blend fuel prior to the metering process are not supported (not a restriction for ISD only applications).

## **Other POS Consoles**

Other POS consoles that interface to the Tokheim DHC may also be supported. Contact Veeder-Root for assistance.

## **Installation Notes**

Connection examples for Tokheim Consoles are shown below.

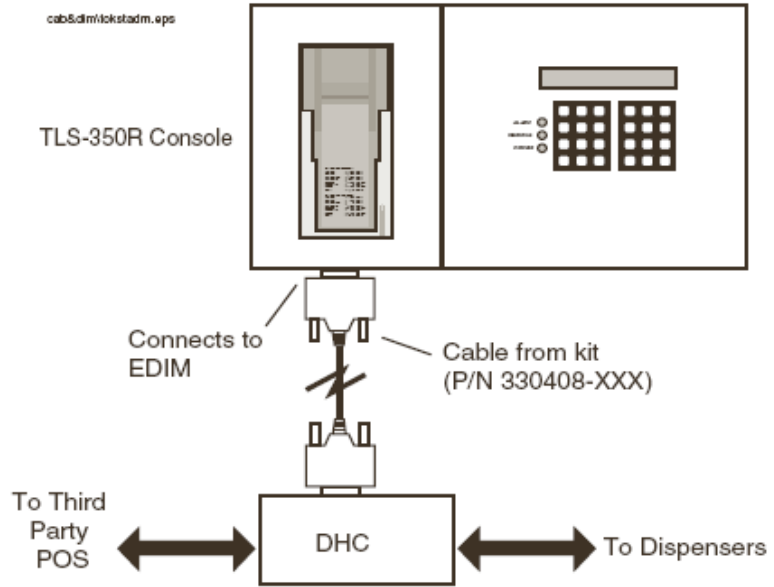


Figure 10. Tokheim DHC Standalone Install

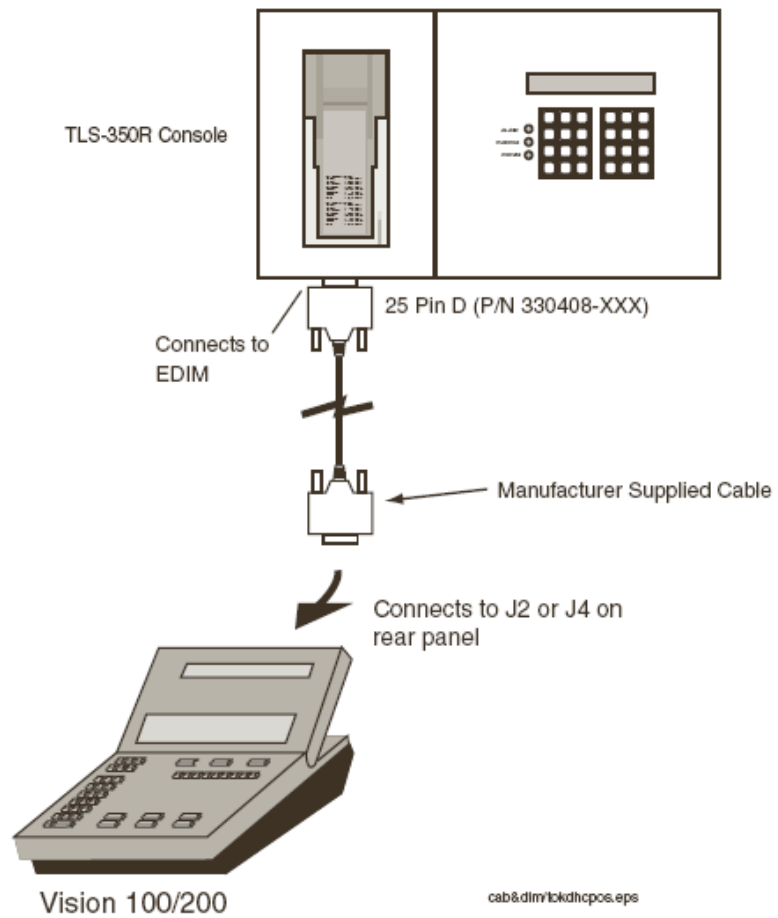


Figure 11. Tokheim Vision 100/200 Install

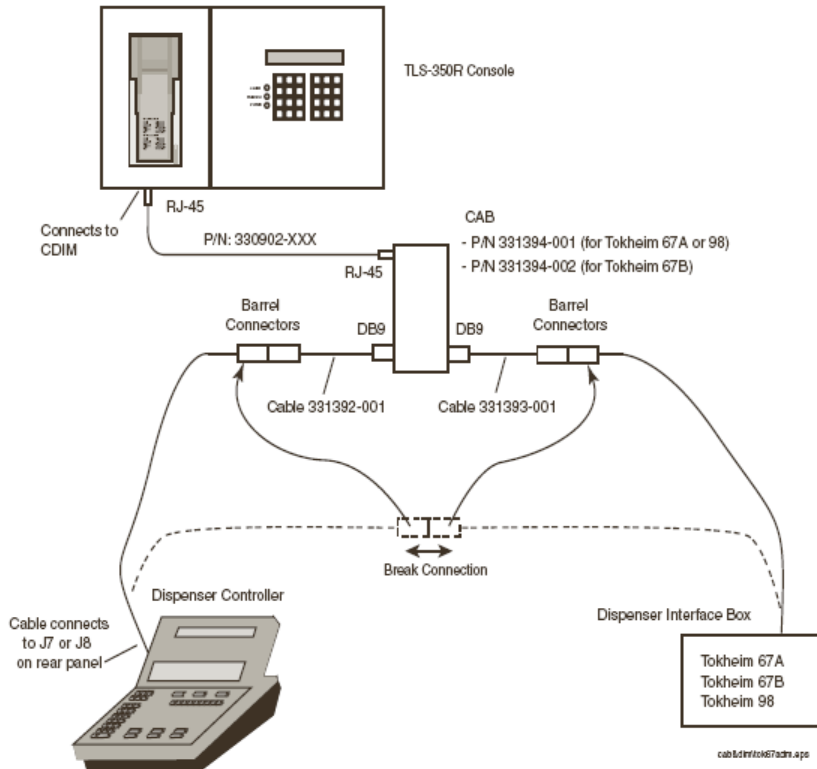


Figure 12. Tokheim Dispenser Controller with Single CAB Install