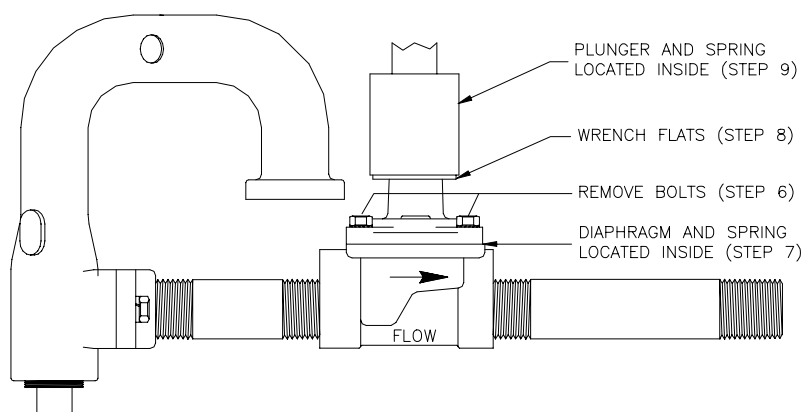


8800E SOLENOID RETROFIT INSTRUCTIONS (For Kits 032110 and 032111)

1. Read and follow all precautions regarding remote dispensers and pumps on the *Warnings and Safeguards* sheet, 035282, included in the kit.
2. Turn off all power to the unit by switching the circuit breaker off.
3. Remove the door, dial enclosure assembly and top cover to gain access the lamp housing area.
4. Disconnect the three solenoid valve wires from the terminal block (yellow, red and black wires on TB2 or TB4).
5. Loosen and remove the panel nut used to seal the solenoid conduit to the lamp housing sheet metal.

6. Remove the four bolts holding the cover of the solenoid valve and remove the top half of the valve with the potted conduit. Be careful not to lose the spring between the diaphragm and solenoid valve cover.

7. Remove the diaphragm from the solenoid valve and replace it with the new diaphragm provided with the kit. Avoid dislodging the o-ring from its groove when removing the diaphragm. If you do dislodge the o-ring, replace it with a new o-ring.



8. Unscrew the solenoid coil from the lower solenoid body using the narrow wrench flats located below the coil body.
9. Replace the lower plunger and spring assembly located in the inner core of the coil with the new plunger provided with the kit.
10. Reassemble the lower solenoid body and the solenoid coil.
11. Reinstall the solenoid/conduit assembly on the solenoid valve body, using the old spring.
12. Reattach the three solenoid wires to the correct terminal block per the wiring diagram.
13. Reattach the nut and washer used to seal the conduit as it passes through the lamp housing sheet metal.
14. After completing the installation, run a preset transaction to check the slow flow offset. If the unit does not kick into slow flow, the slow flow offset must be increased. To make this change, follow the instructions for the Info-pac programmer.