

Installation References

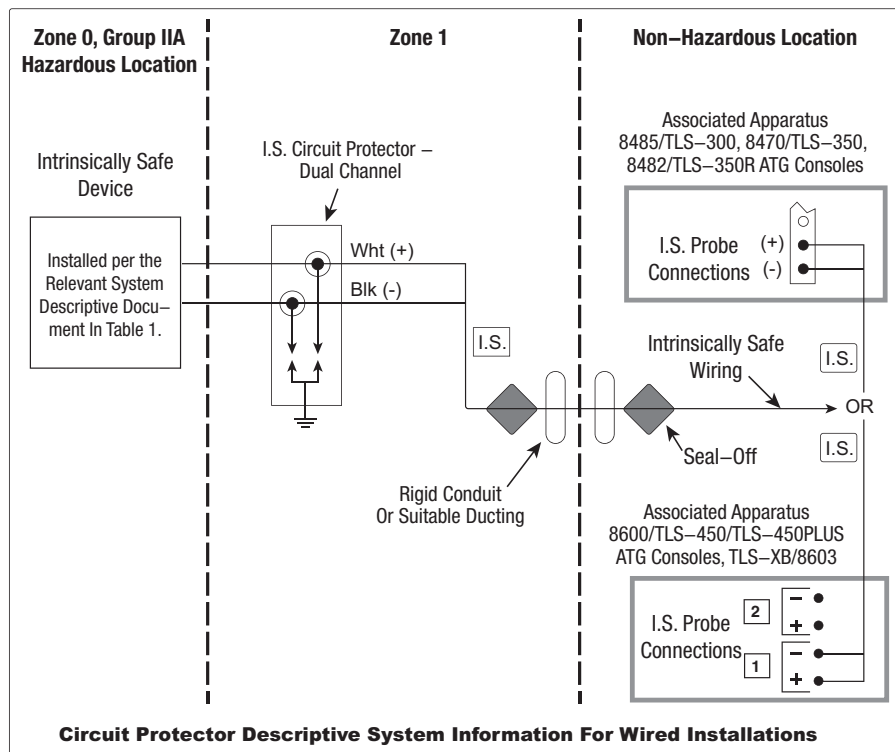
INSTALL ONLY PER SYSTEM DESCRIPTIVE DOCUMENTS – You must reference the appropriate documents in Table 1 below for installation instructions and to plan and install wiring that will connect the probe/sensor to the console.



Important Notice: Failure to install this product in accordance with its instructions and warnings will result in voiding of all warranties connected with this product and COULD CAUSE DAMAGE TO PROPERTY, ENVIRONMENT, RESULTING IN SERIOUS INJURY OR DEATH.

Table 1.

EQUIPMENT	System Descriptive Document		Manual No.
	ATEX	IECEX	
ASSOCIATED APPARATUS			
TLS-450/8600/ TLS-450PLUS	331940-006	331940-106	577013-879 Site Prep. (TLS-450) 577014-073 (TLS-450PLUS)
TLS-350, TLS-350R	331940-001	331940-101	576013-879
TLS-300	331940-002	331940-102	576013-879
TLS-50	331940-003	331940-103	577013-608
TLS2			577013-756
TLS-IB			577013-719
TLS4/8601 Series	331940-007	331940-117	577014-022
TLS-XB/8603 Series	331940-020	331940-120	577014-033
INTRINSICALLY SAFE APPARATUS FOR WIRELESS APPLICATIONS			
Tank Gauge Accessories	331940-005	331940-105	577013-964 (W2) 577013-880 (W1)



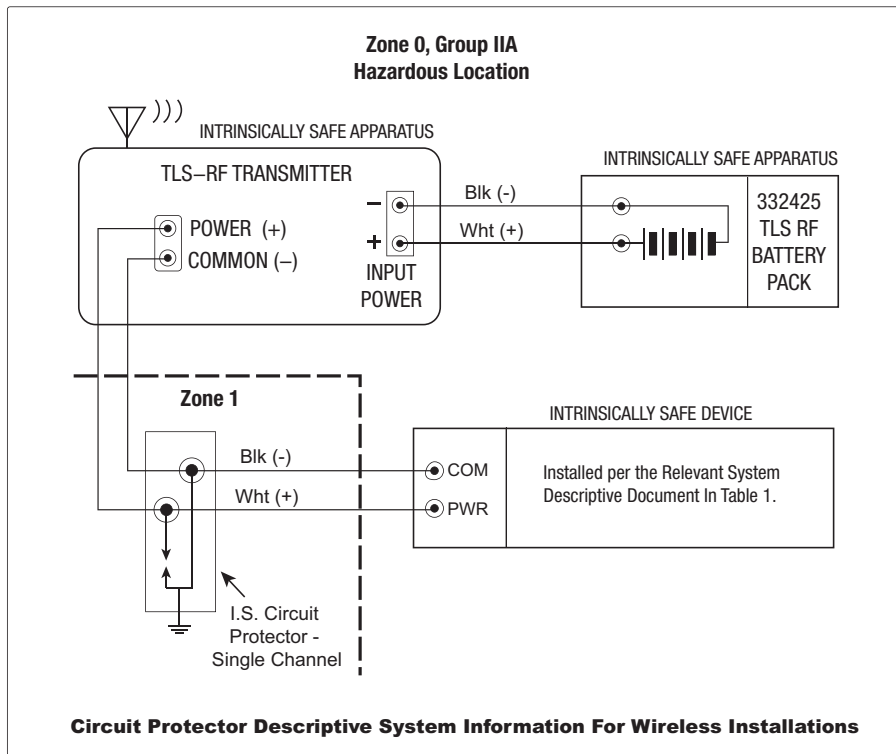


Table 2: Protection Device Capability

Device Type	IEC 60060-1 Rated Current
848100-X0X	10 kA (8/20 μ s impulse)
848100-01X	0.8 kA (8/20 μ s impulse)