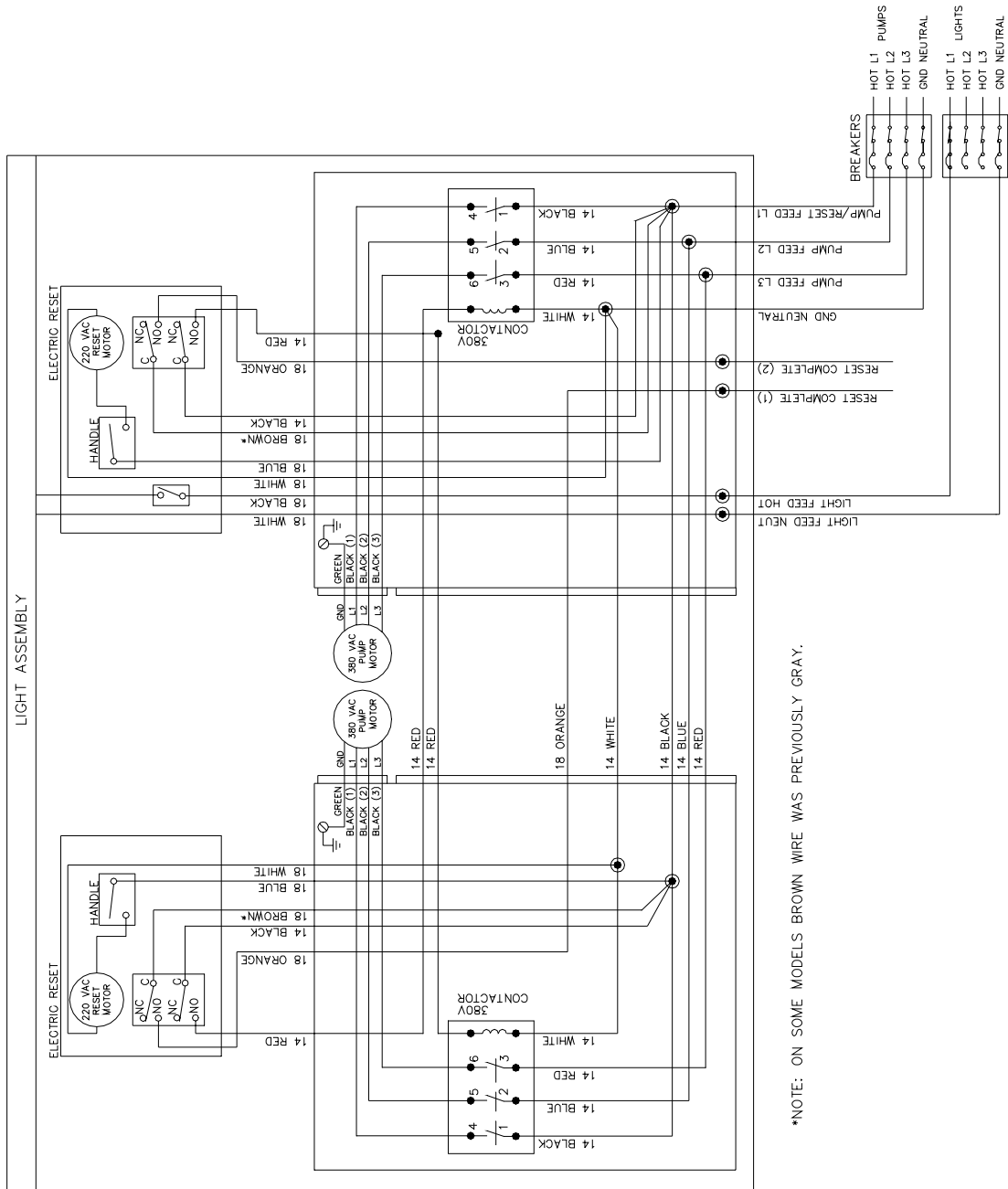


USED FOR MODELS:  
9753ETW2 380 VAC



See opposite side of this sheet for Installation Notes.

## NOTES:

1. All wiring is to be installed and used in accordance with local building/fire codes, all Federal State, and Local codes, the National Electrical Code (NFPA 70), NFPA 30, and the Automotive and Marine Service Station Code (NFPA 30A) codes and regulations.
2.
  - Indicates Factory Connection
  - ⊙ Indicates Field Connection
3. Reset Complete (switch detect) line is used only when connecting to external control circuitry. Wire must be left capped when not in use.
4. Voltage between L1 and grounded Neutral should be 220 VAC.
5. See the Installation Manual for more detailed installation (wire size, conduit, etc.) and maintenance requirements.