



LINE LEAK DETECTOR ADAPTOR BRACKET KIT NUMBER 330020-026

Manual Number 576013-874

TABLE OF CONTENTS

SECTION 1. INTRODUCTION

A. General 1
 B. Damage Claims 1
 C. Return Shipping 1
 D. Line Leak Detector Adaptor Bracket Kit Contents .. 1

**SECTION 2. LLD ADAPTOR BRACKET KIT
INSTALLATION**

A. Check Valve Filter Installation 2
 B. Controller Filter Installation 2
 C. Pump Port Strainer Installation 2

**SECTION 3. WARRANTY CONDITIONS AND
LIMITATIONS OF LIABILITY**

A. Limitations of Liability 3
 B. Inspection 3
 C. Limitation of Remedy and Warranty 3
 D. Limitation of Damages 3
 E. Limitation of Actions 3
 F. Collateral Promises 3
 G. Interpretation 3


SECTION 1. INTRODUCTION

A. GENERAL. The information contained in this manual describes the installation procedures for the Line Leak Detector (LLD) Adaptor Bracket Kit, Kit Number 3330020-026, designed and manufactured by the Veeder-Root Company, 125 Powder Forest Drive, Simsbury, CT 06070-2003. The Adaptor Bracket modifies existing Veeder-Root TLS-350 Line Leak Detector installations in which the Controller (Part No. 329606-011) must be replaced. If the existing Controller serial number is below 8000, an Adaptor Bracket must be installed to allow the new controller to mount on the existing bracket.

When a vertical bar **|** appears adjacent to text or illustrations, information has been added or revised in this printing.

B. DAMAGE CLAIMS.

1. Thoroughly examine all components as soon as received.

 **NOTE:** Insist that the carrier's agent verify the inspection and sign the description.

2. Immediately notify the delivering carrier of damage or loss. This notification may be given either in person or by telephone. Written confirmation must be mailed within 48 hours. Railroads and motor carriers are understandably reluctant to make adjustments for damaged merchandise unless inspected and reported promptly.

3. Risk of loss, or damage to merchandise remains with the buyer. It is the buyer's responsibility to file a claim with the carrier involved.

4. Immediately advise your Veeder-Root representative, distributor, or the factory so that we may assist you.

C. RETURN SHIPPING. All return shipments of Veeder-Root products must be prepaid. If the product is damaged, return it in the original shipping container. Veeder-Root will accept no liability for damage caused by improper packing. Address the shipment to Veeder-Root Co., 6th Avenue at Burns Crossing, Altoona, Pennsylvania 16603.



WARNINGS:

TO AVOID ELECTRICAL SHOCK WHICH COULD KILL YOU, BE SURE AC POWER TO THE TLS-350 MONITOR AND SUBMERSIBLE PUMPS IS OFF DURING INSTALLATION.

IN INSTALLATION OF THIS PRODUCT, COMPLY WITH THE NATIONAL ELECTRICAL CODE; FEDERAL, STATE AND LOCAL CODES; AND OTHER APPLICABLE SAFETY CODES.

TO PROTECT YOURSELF AND OTHERS FROM BEING STRUCK BY VEHICLES, BLOCK OFF YOUR WORK AREA DURING INSTALLATION OR SERVICE.

FAILURE TO COMPLY WITH THESE WARNINGS COULD RESULT IN DEATH, SERIOUS PERSONAL INJURY, PROPERTY LOSS AND EQUIPMENT DAMAGE.



D. LINE LEAK DETECTOR ADAPTOR BRACKET KIT CONTENTS. The LLD Adaptor Bracket Kit No. 330020-026 contains the following:

- ▶ 1 - Adaptor Bracket, Part No. 330226-001
- ▶ 2 - Hex Bolts, 1/4" — 20 x 7/8" long UNC - 2A, Part No. 503300-119
- ▶ 2 - Hex Nuts, 1/4" — 20 UNC - 2B, Part No. 511000-228
- ▶ 2 - Thread Forming Screws 1/4" — 28 x 2-3/4" long, Part No. 510500-451
- ▶ 1 - LLD Adaptor Bracket Installation Instructions, Manual No. 576013-874

SECTION 2. LLD BRACKET ADAPTOR KIT INSTALLATION



WARNING: TO AVOID ELECTRICAL SHOCK WHICH COULD KILL YOU, BE SURE AC POWER TO THE TLS-350 MONITOR AND SUBMERSIBLE PUMPS IS OFF DURING INSTALLATION.



WARNING: IN INSTALLATION OF THIS PRODUCT, COMPLY WITH THE NATIONAL ELECTRICAL CODE; FEDERAL, STATE AND LOCAL CODES; AND OTHER APPLICABLE SAFETY CODES.



WARNING: TO PROTECT YOURSELF AND OTHERS FROM BEING STRUCK BY VEHICLES, BLOCK OFF YOUR WORK AREA DURING INSTALLATION OR SERVICE.



WARNING: FAILURE TO COMPLY WITH THESE WARNINGS COULD RESULT IN DEATH, SERIOUS PERSONAL INJURY, PROPERTY LOSS AND EQUIPMENT DAMAGE.

A. EQUIPMENT PREPARATION.

1. Turn AC power to the pump off.
2. Note the position of the Controller to be replaced and remove it from the mounting bracket.
3. Remove adaptor bracket and kit contents from the package.

B. ADAPTOR BRACKET INSTALLATION.

1. Using the two (2) hex head bolts and two (2) nuts, attach the adaptor bracket to the existing bracket. See Figure 1, "Line Leak Detector Adaptor Bracket Installation."



NOTE: Use the holes in the existing bracket that will result in the same LLD Controller alignment as the controller removed.

2. Place the new LLD Controller onto the Adaptor Bracket and secure it using the two (2) thread forming screws.



NOTE: The location of the Controller can be adjusted to mate with existing conduit by sliding the Adaptor Bracket and rotating the existing bracket on the pump riser.

3. Complete the Controller installation according to Section 6.E. of the Line Leak Detector Site Preparation and Installation Instructions, Manual No. 576013-873.

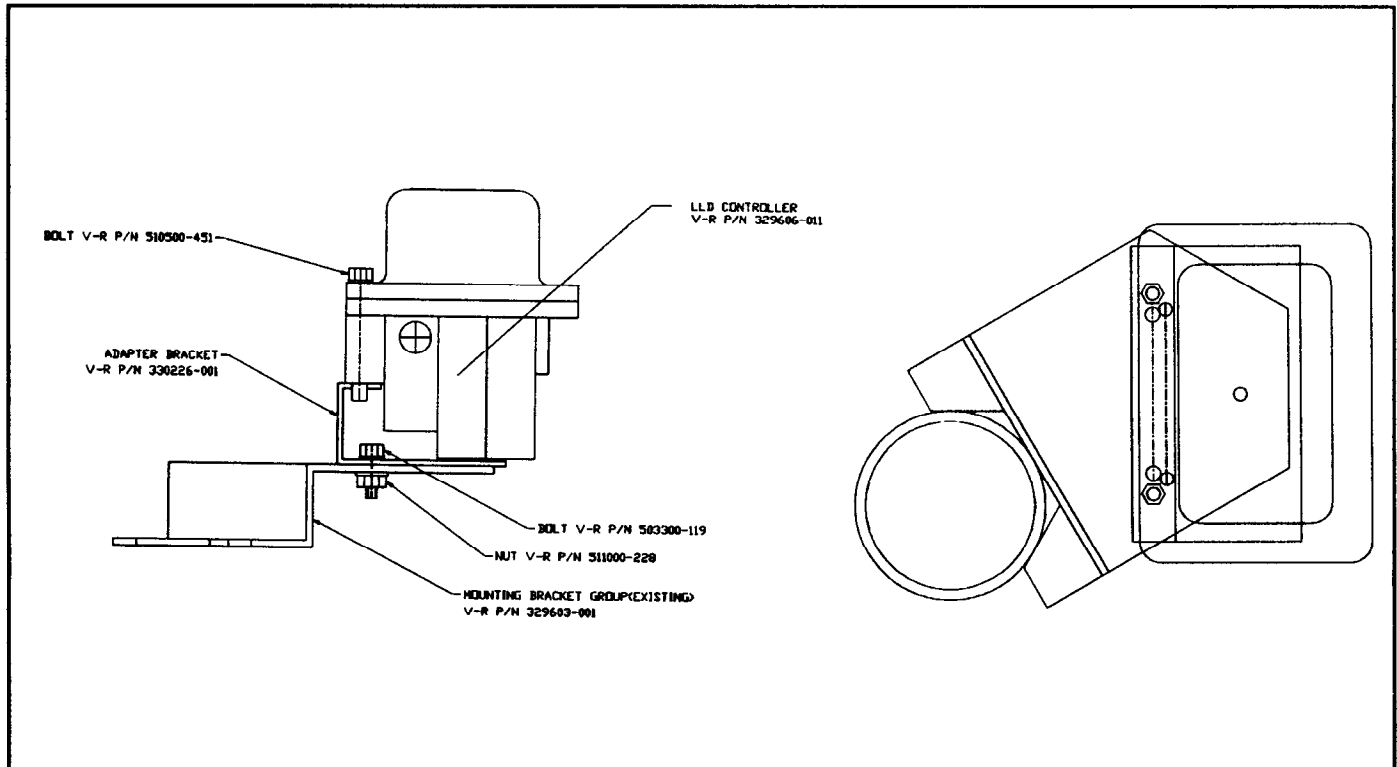


Figure 1. Line Leak Detector Adaptor Bracket Installation



SECTION 3. WARRANTY CONDITIONS AND LIMITATIONS OF LIABILITY

A. LIMITATIONS OF LIABILITY. We warrant that this product will be free from defects in materials and workmanship for a period of one (1) year from the date of installation or fifteen (15) months from the date of invoice, whichever occurs first. During the first ninety (90) days of this warranty period, we will repair or replace the product, if determined by us to be defective, at the location where the product is in use at no charge to the purchaser. After the first ninety (90) days of the warranty period, we will repair or replace the product if it is returned to us, transportation prepaid, within the warranty period and is determined by us to be defective. We will not be responsible for any expenses incurred by the user.

This warranty applies only when the product is installed in accordance with Veeder-Root's specifications, and a Warranty Registration and Checkout Form has been filed with Veeder-Root by an Authorized Veeder-Root Distributor. This warranty will not apply to any product which has been subjected to misuse, negligence or accident; or misapplied; or used in violation of product manuals, instructions or warnings; or modified or repaired by unauthorized persons; or improperly installed.

B. INSPECTION. You shall inspect the product promptly after receipt and shall notify us at our Simsbury office in writing of any claims, including claims of breach of warranty, within thirty days after you discover or should have discovered the facts upon which the claim is based. Your failure to give written notice of a claim within the time period shall be deemed to be a waiver of such claim.

C. LIMITATION OF REMEDY AND WARRANTY. The provisions of Paragraph A are our sole obligation and exclude all other remedies or warranties, express or implied, including warranties of MERCHANTABILITY and FITNESS FOR A PARTICULAR PURPOSE, whether or not purposes or specifications are described herein. We further disclaim any responsibility whatsoever to you or to any other person for injury to person or damage to or loss of property or value caused by any product which has been subjected to misuse, negligence, or accident; or misapplied; or used in violation of product manuals, instructions or warnings; or modified or repaired by unauthorized persons; or improperly installed.

D. LIMITATION OF DAMAGES. Under no circumstances shall we be liable for any incidental, consequential or specific damages, losses or expenses arising from this contract or its performance or in connection with the use of, or inability to use, our product for any purpose whatsoever.

E. LIMITATION OF ACTIONS. No action regardless of form arising out of this contract may be commenced more than one year after the cause of action has accrued, except an action for nonpayment.

F. COLLATERAL PROMISES. There are no representations, warranties, or conditions, express or implied, statutory or otherwise except those herein contained, and no agreement or waivers collateral hereto shall be binding on either party unless in writing and signed by you and accepted by us at our Simsbury office.

G. INTERPRETATION. Rights and liabilities arising out of any contract with us shall be determined under the Uniform Commercial Code as enacted in Connecticut.

Warranty revised January 1, 1992



**VEEDER-ROOT LLD ADAPTOR BRACKET KIT
INSTALLATION INSTRUCTIONS**

VEEDER-ROOT 
Environmental Products

125 Powder Forest Drive, Post Office Box 2003, Simsbury, CT 06070-2003 TEL: (203) 651-2700, FAX: (203) 651-2719

BRAZIL: Sao Paulo • ENGLAND: Richmond, Surrey • FRANCE: Rungis Cedex • GERMANY: Neuhausen/Filder

Printed in U.S.A.
VR 6/93