

## INSTRUCTIONS FOR INSTALLING TOTALIZER CABLE, SERIES 9800A FIELD KIT

This instruction sheet shows how to install the totalizer cable (and cable bracket, kit 032778) for Series 9800A, 2600A pumps and dispensers. The available kits are listed below. Refer to the table to determine the contents for each kit. Be sure to follow all warnings and safeguards as outlined in the enclosed *Warnings and Safeguards* sheet before working on the unit.

**NOTE: If your pump/dispenser is a 9850A, 9850AX, or 9850AXTW with a serial number prior to 472238 or a 2650A, 2650AX, or 2650AXTW with a serial number prior to 0009491-T, the kits described in this instruction sheet will not fit in your unit. You must order a Totalizer/Pulser/Gear Train Assembly Retrofit Kit from the table below. The serial number appears on the UL nameplate on the side of the unit.**

<b>032094</b>	<b>9850A/2650A Liter</b>	<b>032095</b>	<b>9850A/2650A Gallon</b>
<b>032098</b>	<b>9850AX/2650AX Liter</b>	<b>032099</b>	<b>9850AX/2650AX Gallon</b>
<b>032096</b>	<b>9850AXTW/2650AXTW Liter</b>	<b>032097</b>	<b>9850AXTW/2650AXTW Gallon</b>

### KIT SUMMARY

025975	Models 9800A, 9800ATW1, 9800ATW2, 9800AXTW, Gallon <i>(Order two kits for twin units.)</i> Models 2600A, 2600ATW1, 2600ATW2, 2600AXTW, Gallon <i>(Order two kits for twin units.)</i>
025976	Model 9840A, 2640A, Gallon
025985	Models 9800A, 9800ATW1, 9800ATW2, 9800AXTW, Liter <i>(Order two kits for twin units.)</i> Models 2600A, 2600ATW1, 2600ATW2, 2600AXTW, Liter <i>(Order two kits for twin units.)</i>
025986	Model 9840A, 2640A, Liter
032655	Model 9840AX, 2640AX, Gallon
032656	Model 9840AX, 2640AX, Liter
032778	Model 9800A/2600A - Totalizer Bracket Retrofit
032777	Model 9850A/2650A - Totalizer Bracket Retrofit (Kit contains components for one side only)
039840	Model 9850A, 9850AX, 2650A, 2650AX, Liter
039841	Model 9850A, 9850AX, 2650A, 2650AX, Gallon
039844	Model 9850AXTW, 2650AXTW, Liter
039845	Model 9850AXTW, 2650AXTW, Gallon

### KIT CONTENTS

		025975	025976	025985	025986	032655	032656	032778	039840	039841	039844	039845	032777
Odometer Assy., Liter	039872	–	–	1	2	–	2	–	–	–	–	–	–
Odometer Assy., Liter, 9850A	039836	–	–	–	–	–	–	–	1	–	2	–	–
Odometer Assy., Gallon	039871	1	2	–	–	2	–	–	–	–	–	–	–
Odometer Assy., Gallon, 9850A	039826	–	–	–	–	–	–	–	–	1	–	2	–
Bracket, Odometer	015129	–	–	–	–	–	–	1	–	–	–	–	1
Pin, Spirol, 1/16 x 1/2	043220	1	2	1	2	2	2	1	1	1	2	2	1
Cable Assy., Drive 9–dig. tot	017366	–	2	–	2	1	1	–	1	1	–	–	–
Cable Assy., Drive 9–dig. tot	017365	1	–	–	–	1	1	1	–	–	2	2	1
Pin, Cotter, 3/64 x 1/2	042290	1	2	1	2	2	2	1	1	1	2	2	1
Tie-wrap	0M0042	1	2	1	2	2	2	1	1	1	2	2	1
Tie-wrap, 8"	C08126	1	2	1	2	2	2	1	1	1	2	2	1

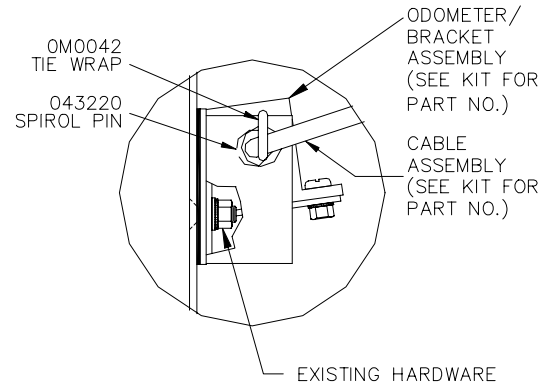
Turn this sheet over for detailed instructions.

**INSTRUCTIONS FOR KITS 025975, 025976, 025985, 025986, 032655, 032656, 039840, 039841, 039844, 039845**

1. Remove existing hardware from window-totalizer.
2. Install new totalizer assembly with existing hardware.
3. Install cable assembly with spirol pin to odometer assembly.

If installing kit 032655 or 032656, install second cable assembly with spirol pin to odometer assembly.

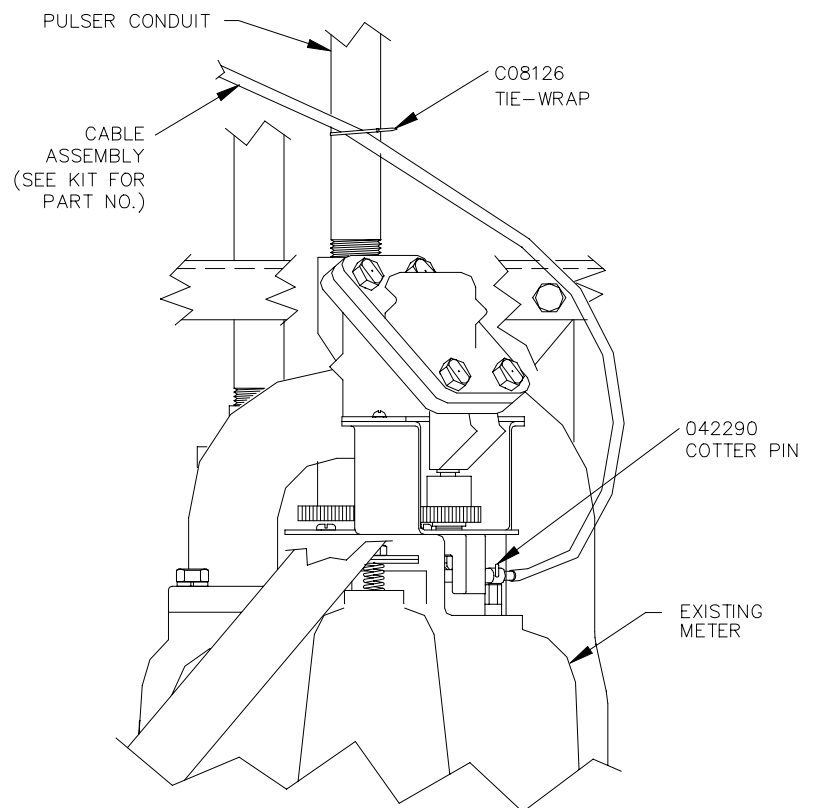
4. Install other end of cable assembly (with larger mounting hole) to existing meter with cotter pin.



**Figure 1: Totalizer Assembly**

5. Attach 0M0042 tie-wrap around plastic cable cover and through odometer bracket.
6. Attach cable to pulser conduit using C08126 tie-wrap as shown in Figure 2 (9850A, 2650A models should attach the cable to the DC conduit, not the pulser conduit, as shown in Figure 3). **Important: Allow some slack in the cable (at the meter end) to prevent excessive stress and premature breakage during operation. Loop should be gradual with no less than a 6" radius.**

*NOTE FOR 9840A/2640A Models:*  
 Upper drive cable connects to pulser at front of unit (9840A, 2640A AC J-Box side, 9840AX, 2640AX DC J-Box side, left meter).  
 Lower drive cable connects to pulser at rear of unit 9840A, 2640A (9840AX, 2640AX DC J-Box side, right meter).



**Figure 2: All Models except 9850A/2650A**

## INSTRUCTIONS FOR KITS 032778, 032777

1. Remove existing hardware from window-totalizer.
2. Install new totalizer bracket with existing hardware.
3. Install cable assembly with spiro pin to existing totalizer.
4. Install other end of cable assembly (with larger mounting hole) to existing meter with cotter pin.
5. Attach OM0042 tie-wrap around plastic cable cover and through odometer bracket.
6. Attach cable to pulser conduit using C08126 tie-wrap as shown. For kit 032777 (see Fig. 3) attach cable to conduit from DC junction box rather than pulser conduit. **Important: Allow some slack in the cable (at the meter end) to prevent excessive stress and premature breakage during operation. Loop should be gradual with no less than a 6" radius.**

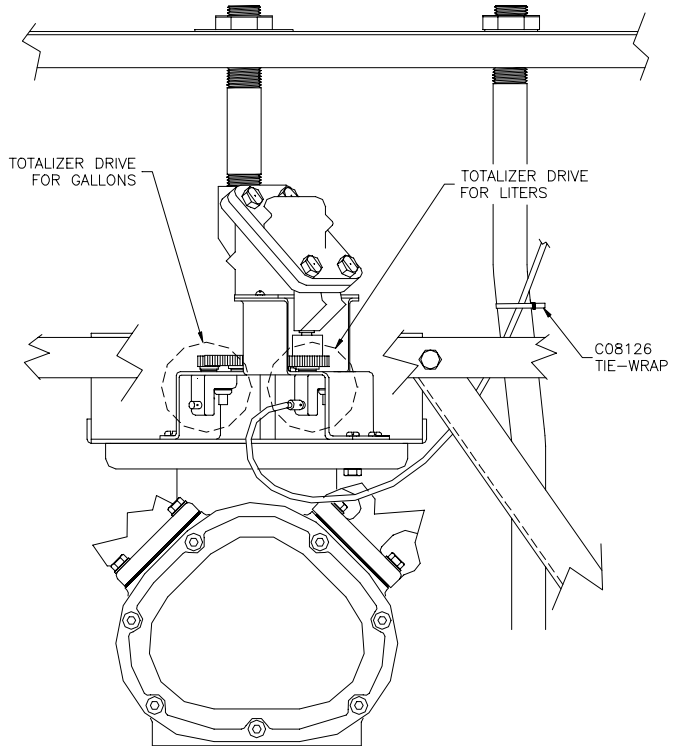


Figure 3: 9850A/2650A Models