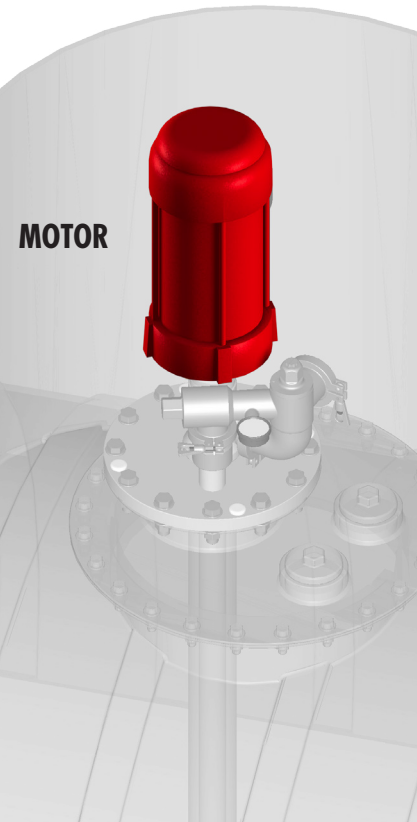




Red Jacket DEF Pump – DEF640 Specification Sheet



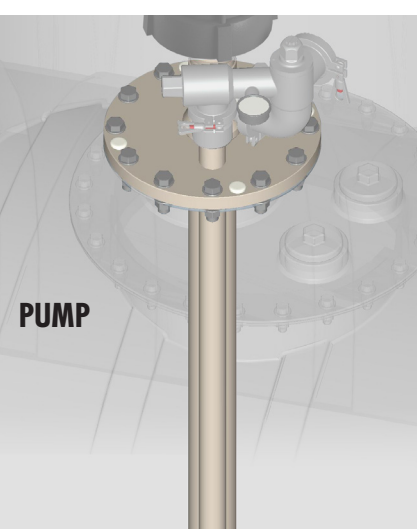
MOTOR

MOTOR KIT	
Includes motor, lifting hook, thermal overload, splash drains, mounting kit, hardware, coupling, set-point gauge, manual	
Operating Frequency/Voltage/Phase/Amps	410757-001 - 3 phase, 60Hz, 208-230V/460V, 12.6-11.6/5.8 AMPS 410757-002 - 3 phase, 60Hz, 575V, 4.6 AMPS
Rated Output	5HP
Speed	Rated Speed: 3450 RPM
Rating-Duty	40C AMB-CONT
Duty Cycle	Continuous duty, greater than 30 start/stop cycles per hour
Enclosure Rating	4TC Explosion-proof, fan-cooled, CL1 Group C&D
Dimensions	Vertical Height: 19" Reference Diameter: 12" Reference
Special Application Features	Drip Cover, Moisture Drains, Integral Thermal Overloads Motor is not to be operated immersed in liquid (must ensure positive motor/pump shut-off by Mag Sump Sensor)
Location Classification	Class 1, Group D, Division 1, EP
Approvals	UL/cUL Listing CE
Weight	108lbs, lifting hooks included
Serviceability	Not field serviceable
Motor Control	For use with magnetic starter VR Part No: 410648-001/003 depending on voltage, and 3 heaters VR Part No: 410649-003/009/011 depending on voltage (See Red Jacket Price Book for details)



MANIFOLD

MANIFOLD KIT	
Includes manifold, pressure relief valve, check valve, pressure gauge, tri-clamps, gaskets, tri-clamp to 2" MNPT adapter, manual	
Materials	Stainless Steel with EPDM Gaskets
Weight	40lbs



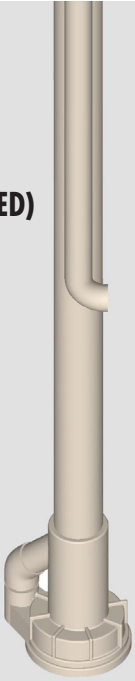
PUMP

PUMP KIT									
Includes pump, mounting flange, return pipe, gasket, O-rings, circlip, cover, spider, 5/8 stainless steel bolt/nut/washer kit, antiseize, manual									
Application	DEF (Diesel Exhaust Fluid/Diesel Emissions Fluid) per ISO22241 Standard								
Device Characteristics	Vertical Immersion Pressure Pump with Impellers Model DEF640								
In-tank Operating Temperature Range	+23F to +104F (-5C to +40C)								
Storage Temperature Range	-22F to +122F (-30C to +50C)								
Approvals	ISO22241 for storage and dispensing of Diesel Exhaust Fluid								
Dimensions	<table border="0"> <tr> <td>8' Tank Standard</td> <td>10' Tank Standard</td> </tr> <tr> <td>Flange Bottom to End of Pump = 95"</td> <td>Flange Bottom to End of Pump = 122"</td> </tr> <tr> <td>Flange Bottom to Top of Motor = 31.5"</td> <td>Flange Bottom to Top of Motor = 31.5"</td> </tr> <tr> <td>Overall Length = 126.5"</td> <td>Overall Length = 153.5"</td> </tr> </table>	8' Tank Standard	10' Tank Standard	Flange Bottom to End of Pump = 95"	Flange Bottom to End of Pump = 122"	Flange Bottom to Top of Motor = 31.5"	Flange Bottom to Top of Motor = 31.5"	Overall Length = 126.5"	Overall Length = 153.5"
8' Tank Standard	10' Tank Standard								
Flange Bottom to End of Pump = 95"	Flange Bottom to End of Pump = 122"								
Flange Bottom to Top of Motor = 31.5"	Flange Bottom to Top of Motor = 31.5"								
Overall Length = 126.5"	Overall Length = 153.5"								



Red Jacket DEF Pump – DEF640 Specification Sheet

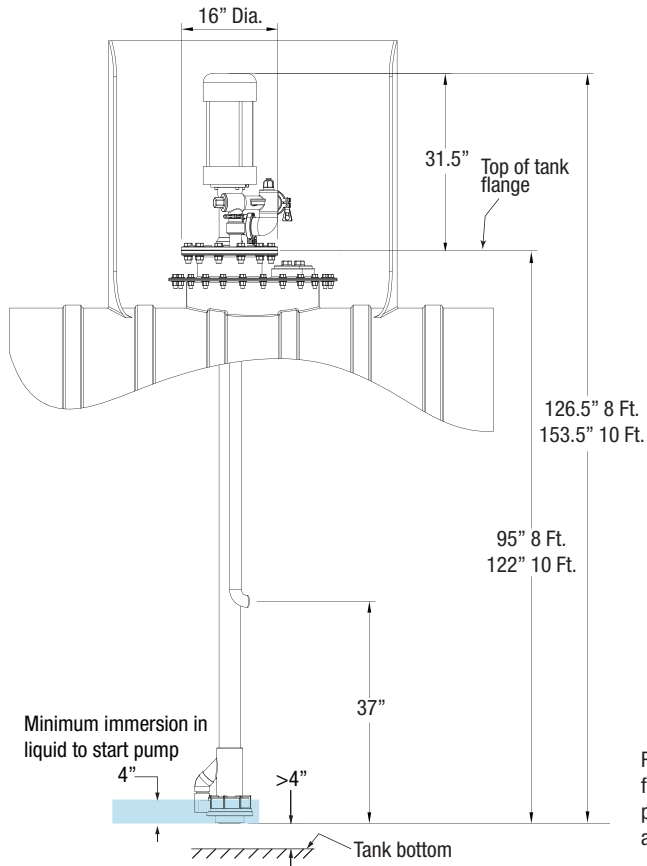
PUMP (CONTINUED)



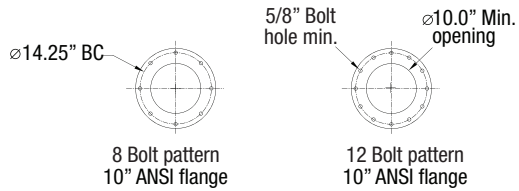
PUMP KIT (CONTINUED)

Includes pump, mounting flange, return pipe, gasket, O-rings, circlip, cover, spider, 5/8" stainless steel bolt/nut/washer kit, antiseize, manual

Tank Flange Interface	10" ANSI Flange opening required with minimum 10" ID 8 or 12 bolt-pattern compatible 5/8" or 7/8" bolt dimension compatible (5/8" stainless steel fastener set supplied)
Pump Flange Dimensions & Materials	Included with pump 16" OD Reference Polypropylene with EPDM Gasket
Clearance Requirements	Minimum 4" clearance from pump bottom to tank bottom
Submersion Requirements	Minimum 4" liquid submersion from pump bottom Note: pump cannot run dry or warranty will be invalidated
Materials	Return Pipe (Included with Pump): Polypropylene Shaft: Stainless Steel Core Structure: Stainless steel shielded in Polypropylene Impellers: Polypropylene
Max Pressure Rating	65.3PSI (Note: Line pressure maintained at 32PSI through pressure relief valve in manifold)
Duty Cycle	Continuous duty, greater than 30 start/stop cycles per hour
Weight	55-60lbs for 8' and 10' standard lengths Weights for other lengths will vary
Serviceability	Not field serviceable



REQUIRED TANK INTERFACES



TOP VIEW - PUMP IN SUMP

