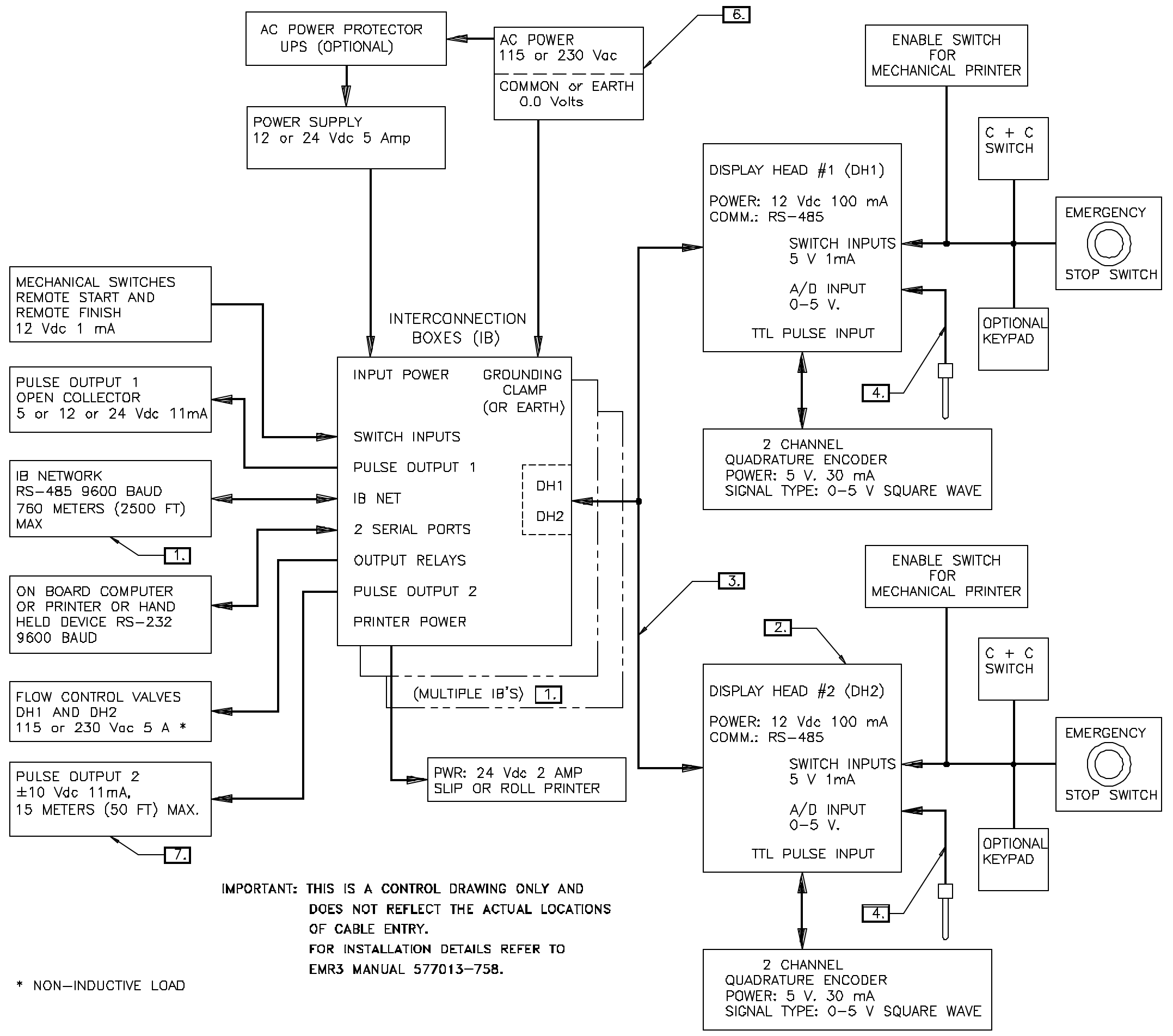


REV	DESCRIPTION	BY	DATE	ECO
B	REDRAWN & REVISED. SEE HIST PRINT	TB	3/25/03	DEMR-051



NOTES:

1. UP TO 16 IB'S MAY BE NETWORKED TOGETHER USING THE IB NETWORK TERMINALS (RS-485) LOCATED IN THE IB.
2. FOR EACH IB, ONE DH MAY BE CONFIGURED AS A REMOTE CONTROLLER DISPLAY. AS A REMOTE CONTROLLER DISPLAY, THE DH WOULD NOT USE EITHER THE TEMPERATURE PROBE OR THE QUADRATURE ENCODER.
3. IB TO DISPLAY HEAD CABLE RUN:  
 A) USE TWO SEPARATE CABLES, ONE FOR EACH DISPLAY HEAD.  
 B) USE ONE CABLE TO DAISY CHAIN BOTH DISPLAY HEADS TOGETHER.  
 C) IN EITHER CASE, THE COMBINED CABLE LENGTH MUST NOT EXCEED 300 METERS (1000 FT).
4. TEMPERATURE PROBE CABLES MUST BE SHIELDED AND ARE NOT TO EXCEED A LENGTH OF 5 METERS (16 FT).
5. TO MAINTAIN PROPER ELECTRICAL SAFETY, FOLLOW ALL LOCAL WIRING PRACTICES. REFER TO EMR3 INSTALLATION MANUAL 577013-758 WHEN INSTALLING THIS EQUIPMENT.
6. ONE 5 AMP FUSED, SWITCHED, NEON INDICATOR SPUR (FOR 230 VAC), OR A DEDICATED CIRCUIT BREAKER RATED FOR 15 AMPS, 115 VAC OR 230 VAC. NOTE, CIRCUIT BREAKER MUST BE MARKED AS THE POWER DISCONNECT FOR THE IB.
7. INCREASE THE POSITIVE LEVEL OF PULSE OUTPUT 2 SIGNAL BY INSTALLING A 4.7 K OHM PULL-UP RESISTOR BETWEEN THE PULSE OUT-2/RTS AND THE 12 VOLT OUT TERMINALS.

IMPORTANT: THIS IS A CONTROL DRAWING ONLY AND DOES NOT REFLECT THE ACTUAL LOCATIONS OF CABLE ENTRY.  
 FOR INSTALLATION DETAILS REFER TO EMR3 MANUAL 577013-758.

\* NON-INDUCTIVE LOAD

DO NOT SCALE DRAWING				
DESIGNER	NAME	DATE	NEXT GRP.	
BREEN	BREEN	3/25/03	ASSEMBLY	
PROJECT	ANDREW	3/25/03	FORM NO	
MATERIAL			SIMSBURY, CONNECTICUT 06D70 U.S.A.	
REFERENCE MFG. SPEC. VRS 81005 WHERE IT IS APPLICABLE	NOTICE - THIS DOCUMENT IS THE PROPERTY OF THE VEEDER-ROOT COMPANY AND IS NOT TO BE DISCLOSED, REPRODUCED IN WHOLE OR IN PART, OR USED FOR MANUFACTURE BY ANYONE WITHOUT VEEDER-ROOT'S WRITTEN CONSENT.			
UNSPECIFIED TOLERANCES +/- 0.005	<b>FUELING DEPOT CONFIG. DIAG. EMR3</b>		SIZE D DRAWING NUMBER 331794-001	REV. B STATUS REL
	SCALE NONE	SHEET 1	OF 1	