

Performer™

Available Models and Weights

| Model Number | Description | | | | Weight |
|--------------|---------------|------------|----------|---------|-------------------|
| JE1000 | Standard Flow | Pump, | 1-Grade, | 1-Hose, | 482 lbs/216.9 kgs |
| JE1100 | Standard Flow | Pump, | 1-Grade, | 2-Hose, | |
| JE1200 | Standard Flow | Pump, | 2-Grade, | 2-Hose, | |
| JEA000 | Standard Flow | Dispenser, | 1-Grade, | 1-Hose, | 328 lbs/147.6 kgs |
| JEA100 | Standard Flow | Dispenser, | 1-Grade, | 2-Hose, | |
| JEA200 | Standard Flow | Dispenser, | 2-Grade, | 2-Hose, | |
| JE1300 | High Flow | Pump, | 1-Grade, | 1-Hose, | 482 lbs/216.9 kgs |
| JE1500 | High Flow | Pump, | 2-Grade, | 2-Hose, | |
| JEA300 | High Flow | Dispenser, | 1-Grade, | 1-Hose, | 328 lbs/147.6 kgs |
| JEA4000 | High Flow | Dispenser | 1-Grade | 2-Hose | |
| JEA500 | High Flow | Dispenser, | 2-Grade, | 2-Hose, | |

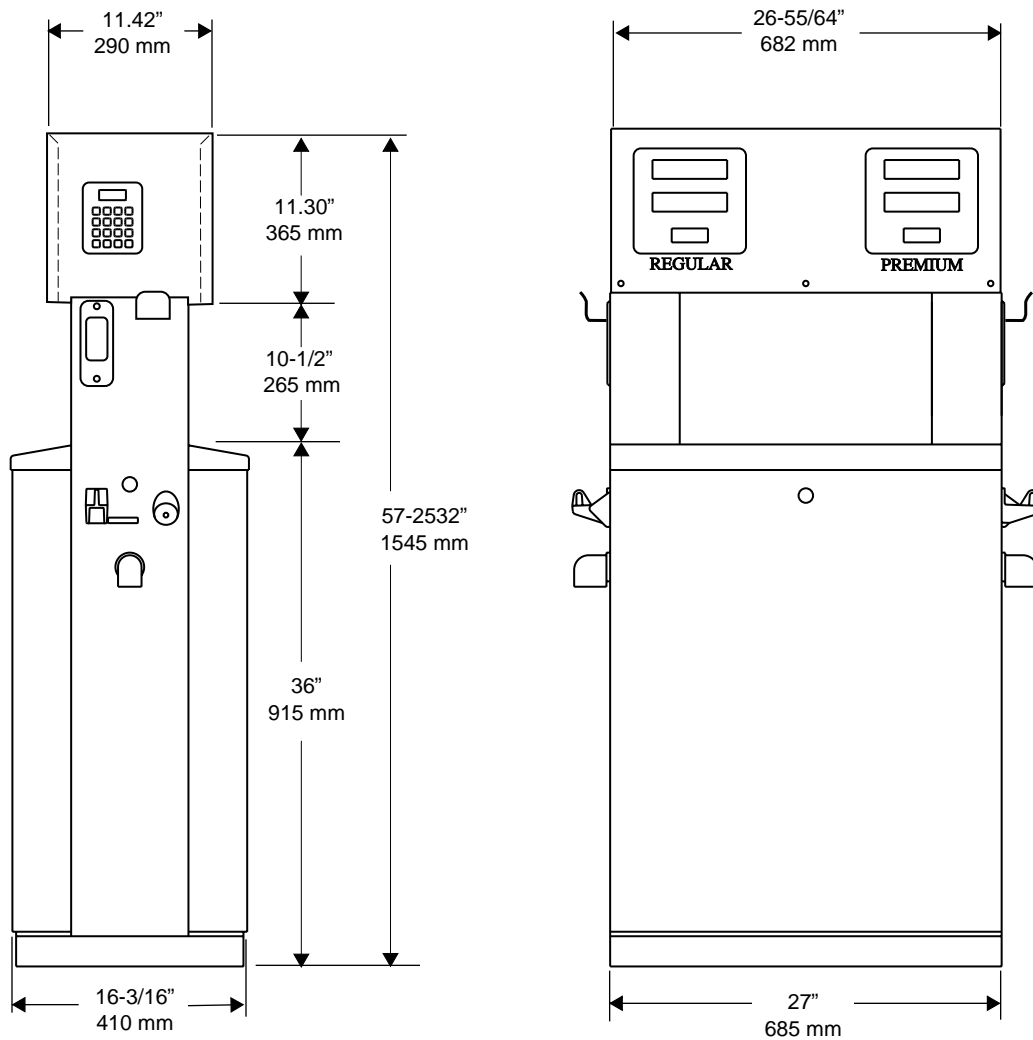
Load Table

| Field Wiring Diagram (Attached) | Description |
|---------------------------------|--|
| FE-334A | Dispenser with 120V Solid State Relays, Single Phase Pump with 120V Mechanical Relays, 240/380VAC Pump Motor, Three Phase |

Operating Environment

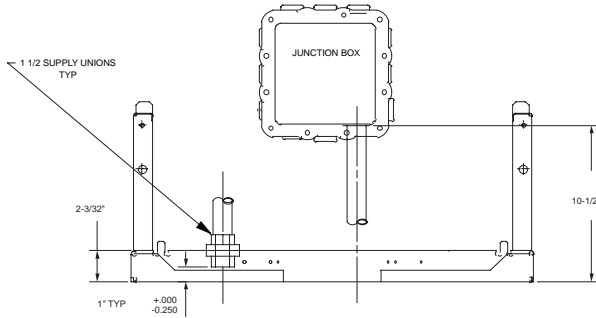
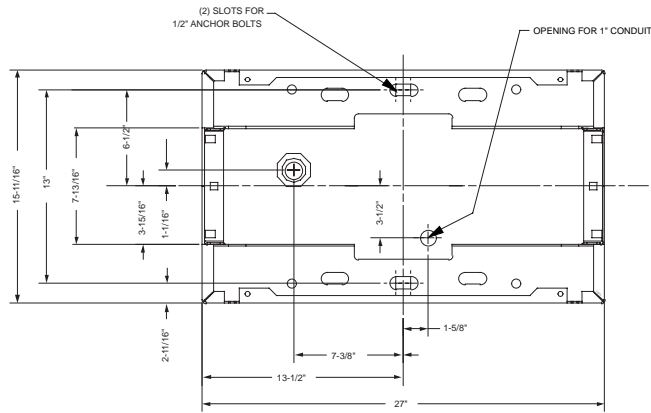
| Environment | Range |
|-------------------------------------|------------------------------|
| Relative humidity | 20% to 95% non-condensing |
| Minimum outside ambient temperature | -22°F (-30°C) |
| Maximum outside ambient temperature | 131°F (55°C) |

Elevation

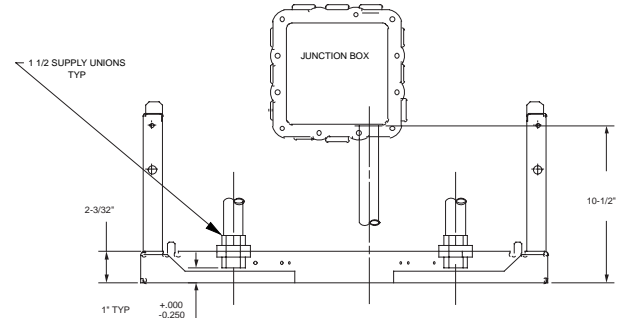
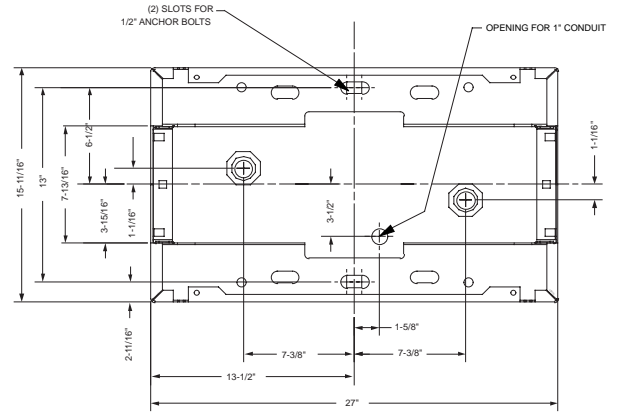


Footprint

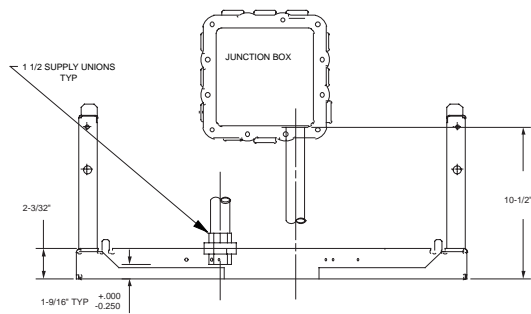
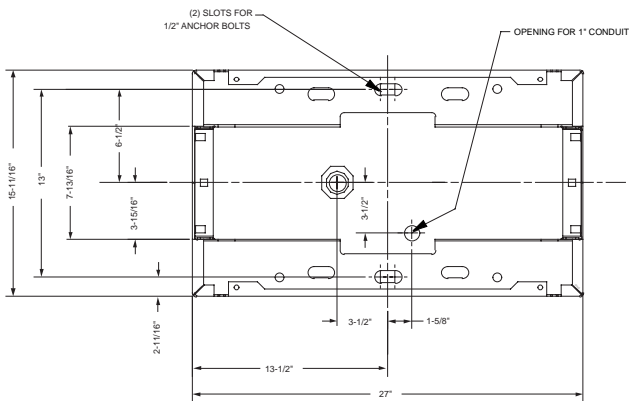
Pump - Single Product



Dual Product



Dispenser - Single Product



Dual Product

