

Introduction

Purpose

The purpose of this manual is to provide instructions for installing the Hose Retriever Kit (M06712K00X) on Encore® units. This manual is written for Gilbarco® Authorized Service Contractors (ASCs) and it is recommended that this kit be installed by Gilbarco ASCs.

The Hose Retriever option allows customers to keep excess hose off the ground and out of the way, prolonging hose life and avoiding trip hazards with non-standard hose lengths.

The hose retriever kits are the following:

Kit Number	Description
M06712K001	Encore Hose Retriever Reels Kit - 1 sided, 1 hose (1 kit per unit)
M06712K002	Encore Hose Retriever Reels Kit - 1 or 2 sided, 2 hose (1 kit per unit)
M06712K003	Encore Hose Retriever Reels Kit - 2 sided, 4 hose (1 kit per unit)

Note: These kits must be accompanied by the appropriate hose clamp, one hose clamp per hose. When ordering hose clamps from Gilbarco, refer to R19493 series clamps and specify the appropriate clamp, depending on hose type and brand.

Note: These hose retriever kits will work with Encore canopy kits M04691K001 and M03962K001. However, these kits WILL NOT work with K96632-02.

Required Reading

Before installing the equipment, the installer must read, understand, and follow:

- This manual
- National Fire Protection Agency (NFPA) 70, The National Electric Code (NEC)
- Applicable federal, state and local codes and regulations

Failure to read these documents may adversely affect the safe use and operation of the equipment.

Table of Contents

Topic	Page
Introduction	1
Purpose	1
Required Reading	1
Related Documents	2
Required Tools	2
Parts List	2
Important Safety Information	4
Installation of Encore Hose Retriever Kits	6
Preparing for the Installation	6
Installing the Hose Retriever Kit	6
Completing the Installation	8
To Increase Tension on the Hose Retriever	8
To Decrease Tension on the Hose Retriever	8

Related Documents

The following table lists the documents relevant to the installation of the Hose Retriever Kit (M06712K00X):

Document Number	Description	GOLD Library
MDE-3804	Encore and Eclipse Series Start-Up/Service Manual	Eclipse and Encore
PT-1936	Encore Illustrated Parts Manual	Parts Manual

Required Tools

The following tools are required to install the Hose Retriever Kit:

- Allen® wrench set, standard
- Clean cloth or rag
- Ratchet set, standard
- Screwdrivers, flat and Phillips® head

Parts List

Encore Hose Retriever Kit (M06712K00X)

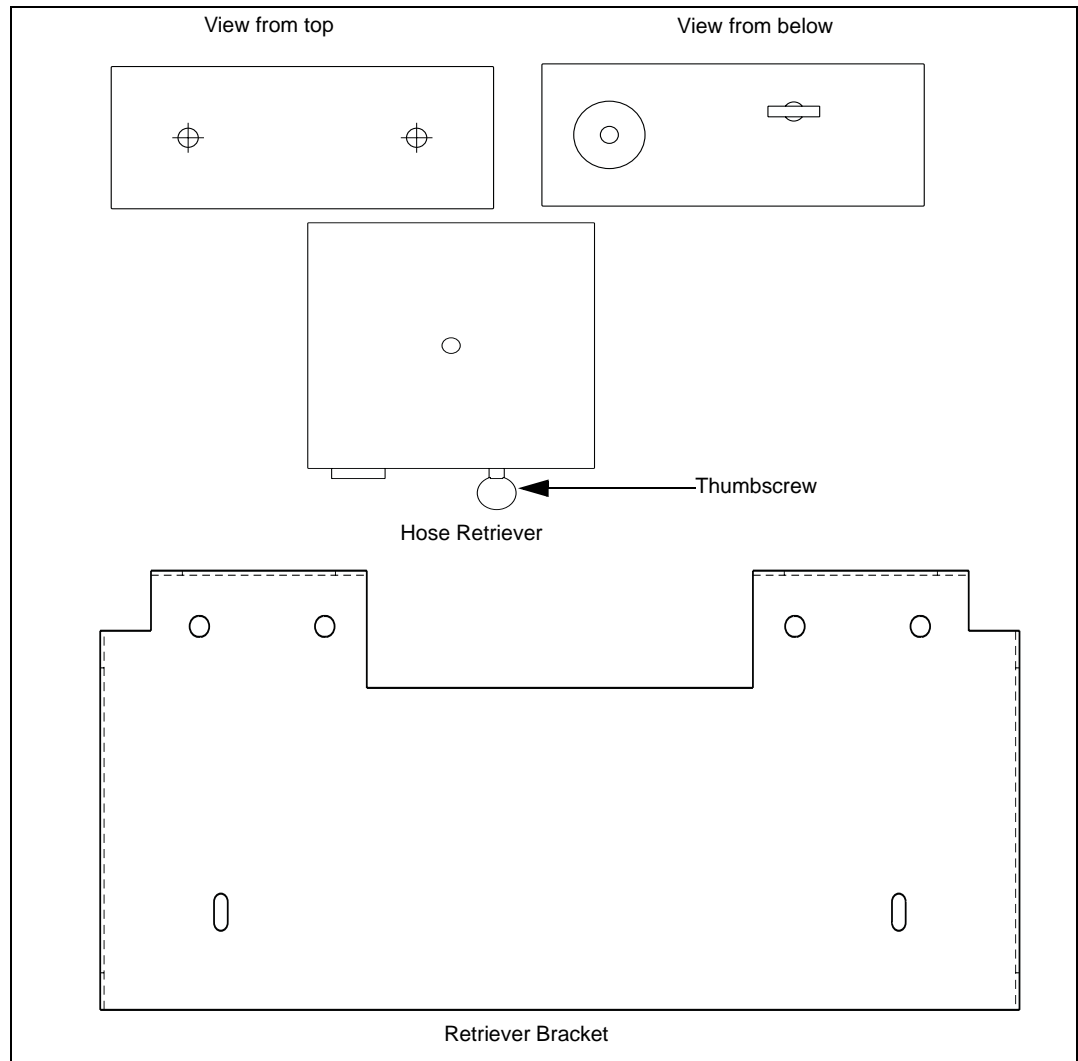
The following table lists the parts for the Encore Hose Retriever Kit (M06712K00X):

Description	Part Number	M06712K001 Quantity	M06712K002 Quantity	M06712K003 Quantity
Hose retriever, OPW®	M06711B001	1	2	4
Bracket, Encore retriever	M06710B001	1	2	2
Screw Hex HD Cap finished	K01902	2	4	8
Lockwasher tabulation 3/8 Regular	K73278-25	2	4	8
Washer 3/8 Standard (.44X1.00X0.083)	K02206	2	4	8

Description	Part Number	M06712K001 Quantity	M06712K002 Quantity	M06712K003 Quantity
Encore Hose Retriever Kit, Installation Instructions	MDE-4562	1	1	1

Note: These kits must be accompanied by the appropriate hose clamp, one per hose.

Figure 1: OPW Hose Retriever and Retriever Bracket



Important Safety Information

This section introduces the hazards and safety precautions associated with installing, inspecting, maintaining or servicing this product. Before performing any task on this product, read this safety information and the applicable sections in this manual, where additional hazards and safety precautions for your task will be found. Fire, explosion, electrical shock or pressure release could occur and cause death or serious injury if these safe service procedures are not followed.

Preliminary Precautions

You are working in a potentially dangerous environment of flammable fuels, vapors, and high voltage or pressures. Only trained or authorized individuals knowledgeable in the related procedures should install, inspect, maintain or service this equipment.



Emergency Total Electrical Shut-Off

The first and most important information you must know is how to stop all fuel flow to the pump and island. Locate the switch or circuit breakers that shut-off all power to all fueling equipment, dispensing devices, and submerged turbine pumps (STPs).

WARNING



The EMERGENCY STOP, ALL STOP, and PUMP STOP buttons at the cashier's station WILL NOT shut off electrical power to the pump/dispenser.



This means that even if you activate these stops, fuel may continue to flow uncontrolled.

You must use the TOTAL ELECTRICAL SHUT-OFF in the case of an emergency and not only these cashier station "stops."

Total Electrical Shut-Off Before Access

Any procedure requiring access to electrical components or the electronics of the dispenser requires total electrical shut-off of that unit. Know the function and location of this switch or circuit breaker before inspecting, installing, maintaining, or servicing the Gilbarco equipment.

Evacuation, Barricading and Shut-Off

Any procedures requiring accessing the pump/dispenser or STPs requires the following three actions:



- An evacuation of all unauthorized persons and vehicles using safety tape, cones or barricades to the effected units
- A total electrical shut-off of that unit

Read the Manual

Read, understand and follow this manual and any other labels or related materials supplied with this equipment. It is imperative to your safety and the safety of others to understand the procedures before beginning work.

Follow the Regulations

There is applicable information in NFPA 30A; *Automotive and Marine Service Code*, NFPA 70; *National Electrical Code (NEC)*, OSHA regulations and federal, state, and local codes which must be followed. Failure to install, inspect, maintain or service this equipment in accordance with these codes, regulations and standards may lead to legal citations with penalties or affect the safe use and operation of the equipment.

Replacement Parts

Use only genuine Gilbarco replacement parts and retrofit kits on your pump/dispenser. Using parts other than genuine Gilbarco replacement parts could create a safety hazard and violate local regulations.

Safety Symbols and Warning Words

This section provides important information about warning symbols and boxes.

Alert Symbol



This safety alert symbol is used in this manual and on warning labels to alert you to a precaution which must be followed to prevent potential personal safety hazards. Obey safety directives that follow this symbol to avoid possible injury or death.

Signal Words

These signal words used in this manual and on warning labels tell you the seriousness of particular safety hazards. The precautions that follow must be followed to prevent death, injury or damage to the equipment



DANGER - This signal word is used to alert you to a hazard to unsafe practice which will result in death or serious injury



WARNING - This alerts you to a hazard or unsafe practice that could result in death or serious injury.



CAUTION with Alert symbol - This signal word designates a hazard or unsafe practice which may result in minor injury.

CAUTION without Alert symbol - When used by itself, CAUTION designates a hazard or unsafe practice which may result in property or equipment damage.

Working With Fuels and Electrical Energy

Prevent Explosions and Fires

Fuels and their vapors will become explosive if ignited. Spilled or leaking fuels cause vapors. Even filling customer tanks will cause explosive vapors in the vicinity of dispenser or island.

No Open Flames



Open flames from matches, lighters, welding torches or other sources can ignite fuels and their vapors.



No Sparks - No Smoking

Sparks from starting vehicles, starting or using power tools, burning cigarettes, cigars or pipes can also ignite fuels and their vapors. Static electricity, including an electrostatic charge on your body, can cause a spark sufficient to ignite fuels and their vapors. After getting out of a vehicle, touch the metal of your vehicle to discharge any electrostatic charge before you approach the dispenser island.

Working Alone

It is highly recommended that someone who is capable of rendering first aid be present during servicing. Be familiar with Cardiopulmonary Resuscitation (CPR) methods if you are working with or around high voltages. This information is available from the American Red Cross. Always advise the station personnel about where you will be working, and caution them not to activate power while you are working on the equipment. Use the OSHA Lockout/Tagout procedures. If you are not familiar with this requirement, refer to information in the service manual and OSHA documentation.

Working With Electricity Safely

Be sure to use safe and established practices in working with electrical devices. Poorly wired devices may cause a fire, explosion or electrical shock. Be sure grounding connections are properly made. Make sure that sealing devices and compounds are in place. Be sure not to pinch wires when replacing covers. Follow OSHA Lockout/Tagout requirements. Station employees and service contractors need to understand and comply with this program completely to ensure safety while the equipment is down.

Hazardous Materials

Some materials present inside electronic enclosures may present a health hazard if not handled correctly. Be sure to clean hands after handling equipment. Do not place any equipment in mouth.

WARNING

This area contains a chemical known to the State of California to cause cancer.

WARNING

This area contains a chemical known to the State of California to cause birth defects or other reproductive harm.

IMPORTANT: If gasoline has been ingested or inhaled, seek medical advice immediately.

Emergency First Aid

Informing Emergency Personnel

- Compile the following information for emergency personnel:
- Location of accident (for example, address, front/back of building, and so on.)
 - Nature of accident (for example, possible heart attack, run over by car, burns, and so on.)
 - Age of victim (for example, baby, teenager, middle-age, elderly)
 - Whether or not victim has received first aid (for example, stopped bleeding by pressure, and so on.)
 - Whether or not a victim has vomited (for example, if swallowed or inhaled something, and so on.)

WARNING



Gasoline ingested may cause unconsciousness and burns to internal organs. Do not induce vomiting. Keep airway open. If gasoline has been ingested or inhaled, seek medical advice immediately.

WARNING



Gasoline inhaled may cause unconsciousness and burns to lips, mouth and lungs. Keep airway open. Seek medical advice immediately.

WARNING



Gasoline spilled in eyes may cause burns to eye tissue. Irrigate eyes with water for approximately 15 minutes. Seek medical advice immediately.

WARNING



Gasoline spilled on skin may cause burns. Wash area thoroughly with clear/water. Seek medical advice immediately.

IMPORTANT: If gasoline has been ingested or inhaled, seek medical advice immediately.

Lockout/Tagout

Lockout/Tagout covers servicing and maintenance of Machines and equipment in which the unexpected energization or start up of the machine(s) or equipment or release of stored energy could cause injury to employees or personnel. Lockout/Tagout applies to all mechanical, hydraulic, chemical or other energy, but does not cover electrical hazards. Reference Subpart S of 29 CFR Part 1910 - Electrical Hazards, 29 CFR Part 1910.333 contains specific Lockout/Tagout provision for electrical hazards.

Installation of Encore Hose Retriever Kits

Preparing for the Installation

- 1 Close and test shear valves.
- 2 Ensure that all power has been removed from the unit and the CRIND device.
- 3 Remove the canopy and the canopy brace from the unit, by loosening and removing the four mounting bolts and lifting lugs.

Note: Leave the canopy in a safe place to prevent it from getting scratched and to ensure that it does not pose a trip hazard for others.

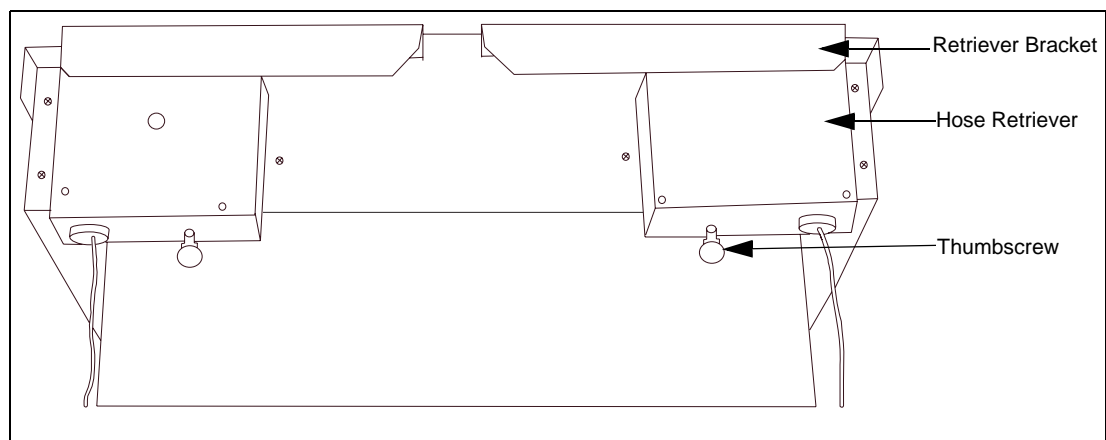
Installing the Hose Retriever Kit

- 1 Install the OPW Hose Retrievers (M06711B001) on the Encore Retriever bracket (M06710B001) using two hex screws (K01902) per retriever, lockwashers (K73278-25) and flat washers (K02206).

Note: Depending on the kit being installed, you will use one or two brackets. While using kit M06712K002, if one hose is being installed on either side, ensure that the kits are installed on diagonally opposite sides nearest the hoses.

- 2 Using a step ladder, carefully place the assembled hose retriever assembly on the unit. Refer to [Figure 2](#).

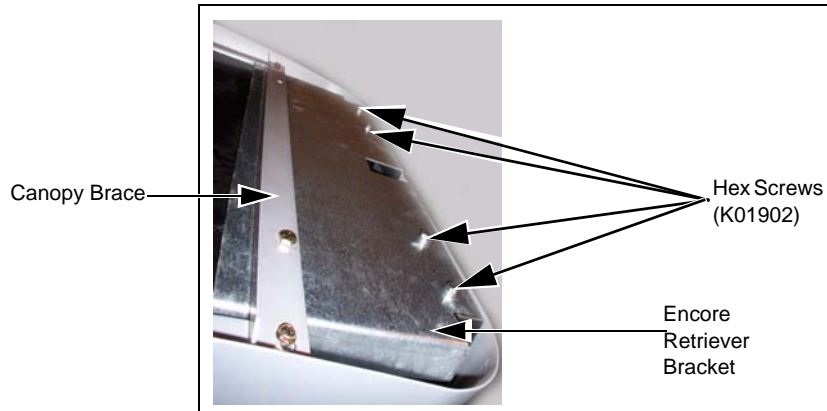
Figure 2: Four-Hose Retriever Assembly on the Encore Unit (View from Side without Canopy)



Note: Ensure that the Encore Retriever Mounting Bracket (M06710B001) is placed below the canopy brace (see [Figure 3 on page 7](#)), so that the bolts that secure the canopy brace can hold the retriever bracket as well.

- 3 Repeat [step 2](#) for the second retriever assembly, if required.
- 4 Replace the canopy, mounting it on top of the retriever mounting brackets as shown in [Figure 3](#). Align bolt holes, replace the four bolts and lifting lugs and tighten them.

Figure 3: Encore Retriever Bracket (View from Top)



- 5 Install the hose and a hose clamp appropriate for the hose. Install the hose, breakaway and the clamp according to the respective manufacturer's instructions.

⚠ CAUTION

The hose breakaway must now be relocated to the other end of the hose (in the following order: nozzle, whip hose, breakaway, long hose, and then dispenser) or the hose breakaway may not work properly during a driveoff.

Note: Gilbarco hose clamps are R19493-XX series, depending on the hose type and the manufacturer.

Figure 4: Encore Unit with Hose Retriever Installed



Completing the Installation

To Increase Tension on the Hose Retriever

- 1 Pull the hose assembly down and away from the box about two feet and tighten the thumbscrew to hold the reel from unwinding.
- 2 Wrap one turn of cable onto the reel, while holding the hose assembly so as not to spring back against the retractor box and loosen the thumbscrew. If the hose clamp touches the cable guide (refer to [Figure 1 on page 3](#)) on the box, then the tension is correct. If the hose clamp does not touch the cable guide, then repeat till the correct tension is reached.
- 3 Remove and save the thumbscrew for any other adjustments that may be needed.
- 4 Open the shear valve and restore power.

To Decrease Tension on the Hose Retriever

- 1 Install the thumbscrew, pull the hose assembly down and away from the box about two feet and tighten the thumbscrew to hold the reel from unwinding.
- 2 Unwrap one turn of cable onto the reel.
- 3 Hold the hose assembly so that it does not spring back against the retractor box and loosen the thumbscrew. If the hose clamp touches the cable guide on the box, the tension is correct. If the hose clamp does not touch the cable guide then repeat till the correct tension is reached.
- 4 Remove and save the thumbscrew for any other adjustments that may be needed.
- 5 Open the shear valve and restore power.

Allen® is a registered trademark of Industrial Fasteners Inc. Encore® is a registered trademark of Gilbarco, Inc. OPW® is a registered trademark of OPW. Phillips® is a registered trademark of Phillips Screw Company.

