

## HIGH HOSE RETRIEVER KIT INSTALLATION INSTRUCTIONS FOR MODELS 9820A/9820/9120

This instruction sheet covers the installation of the Models 9820A, 9820, 9120, High Hose Retriever Kit (Gasboy P/N 032674). You should have received the following:

Item	Qty.	P/N	Description
1	1	SEE REEL & CLAMP MATRIX	
2	1	SEE REEL & CLAMP MATRIX	
3	1	063957	Support Bar Assy.
4	1	017930	Caplug
5	2	051955	Bolt (5/16-18 x 2)
6	1	051940	Bolt (5/16-18 x 1-1/2)
7	1	051895	Bolt (5/16-18 x 3/4)
8	4	068080	Washer (5/16 pltd)
9	4	068875	Lock Washer (5/16 pltd)
11	1	057023	Spacer
12	2	047219	Plug Button (7/8)
N/A	1	032620	Instruction Sheet
N/A	1	035282	Warning Sheet

REEL & CLAMP MATRIX			
The kits listed below consist of one reel and one clamp unless noted otherwise.			
Hose Type	Kit P/N	Reel	Clamp
5/8", 3/4" HW/SW	032666	030804	020714
1" SW	032667	030805	020712
1" HW (STD 1-7/16" OD)	032668	030805	020718
1" HW (1-3/8" OD)	032669	030805	020719
GY PREM COAX V.R.	032671	030804	026732
1-1/4" SW	032670	030805	020717

**Important:** Read all instructions before beginning installation. Also, read and follow all precautions regarding remote dispensers and pumps on the *Warnings and Safeguards* sheet, 035282, included in this kit.

### Mounting Hose Retriever

- Assemble clamp and reel assy. (items 1 and 2) to support post (item 3) with hardware items 5, 9, and 8.
- Install cap-plug (item 4) to top of support post (item 3).
- Install reel and support post assembly to side panel with items 6, 8, and 9 (for 9820A, see note 2) and to base with items 7, 8, and 9. Install plug buttons (item 12) in these two locations.

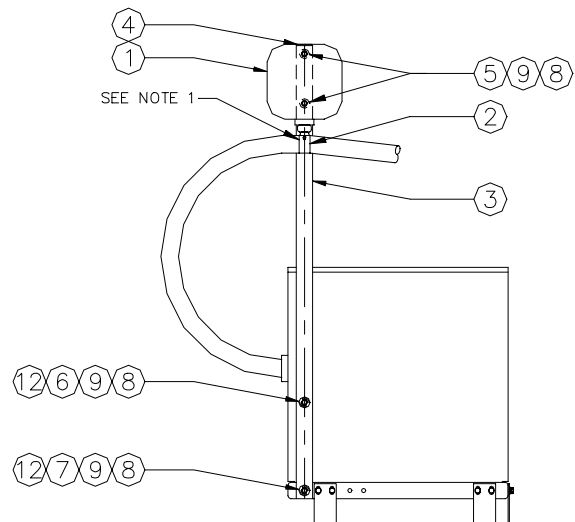
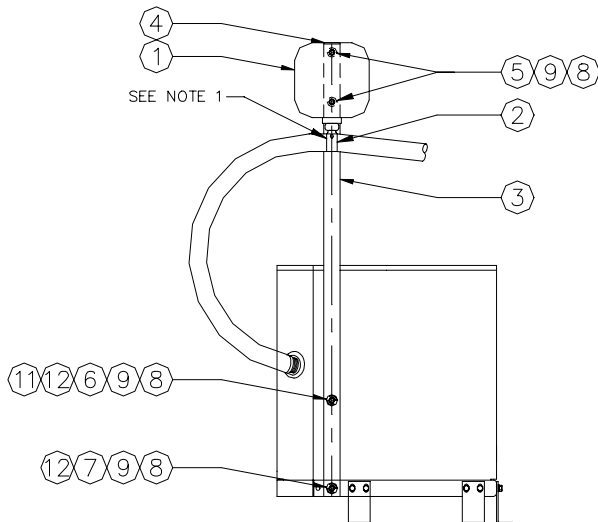
### Mounting Hose to Retriever/Clamp Assy.

- Assemble clamp to hose and position so that hose does not touch ground when nozzle is hung in nozzle boot. Pull out hose and check operation of the retriever and lay of hose.

**NOTE 1:** Clamp should be positioned so that hose does not touch the ground when nozzle is hung in nozzle boot.

**NOTE 2:** Position spacer (item 11) between the discharge bracket and the right side panel.

### 9820A HIGH HOSE RETRIEVER OVERVIEW



### 9820/9120 HIGH HOSE RETRIEVER OVERVIEW