

Dimension® Series One, Two, Three and Four Grade Pumps

Model Numbers

D10	Dimension One-Grade (One-Sided)
D11	Dimension One-Grade (Two-Sided)
D12	Dimension Two-Grade (One-Sided)
D13	Dimension Two-Grade (Two-Sided)
D14	Dimension Three-Grade (One-Sided)
D15	Dimension Three-Grade (Two-Sided)
D1E	Dimension Four-Grade (One-Sided)
D1G	Dimension Four-Grade (Two-Sided)

Load Table

See attached wiring diagrams:	
FE-319	Dimension Series Pumps 120/230VAC Single Phase with Solid State Pump Relays
FE-320	Dimension Series Pumps 240/380VAC Three Phase

Operating Environment

Relative Humidity	20% to 95% non-condensing
Minimum Outside Ambient Temperature	-22°F (-30°C)
Maximum Outside Ambient Temperature	131°F (55°C)

Performance Requirements

Minimum Delivery Rate*	12 gpm @ lift of 8-10 feet (45 lpm @ lift of 8-10 feet)
Meter Accuracy	± .25% from 1.5 to 15 gpm (5.7 to 57 lpm)

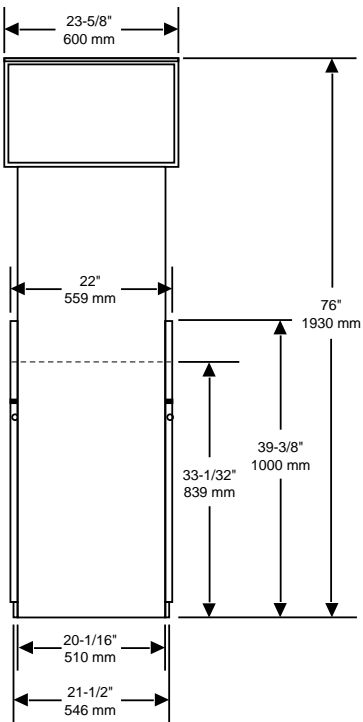
* Actual flow rates will depend on your specific installation and accessories used.

Weights

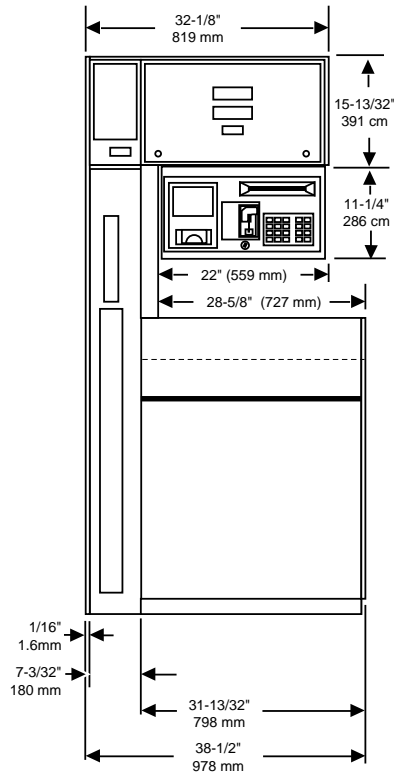
One-Grade	1,000 est. pounds/453 est. kilograms
Two-Grade	1,200 est. pounds/545 est. kilograms
Three-Grade	1,450 est. pounds/660 est. kilograms
Four-Grade	1,800 est. pounds/820 est. kilograms

Elevation - Standard Configuration

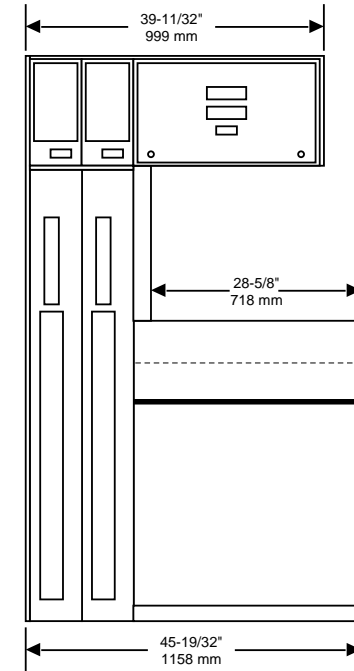
Side View



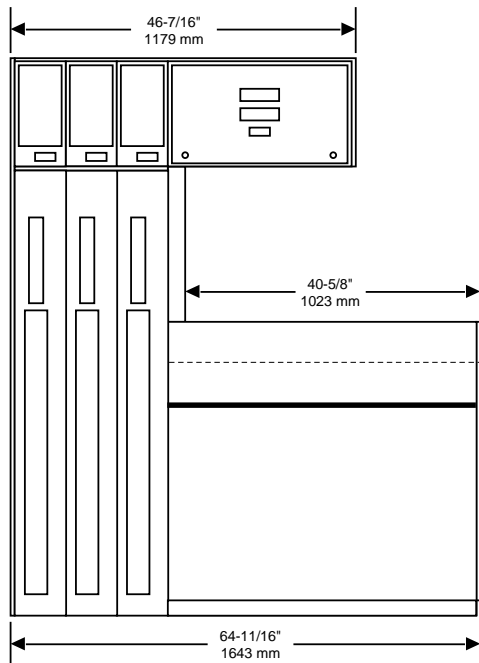
One-Grade Pump



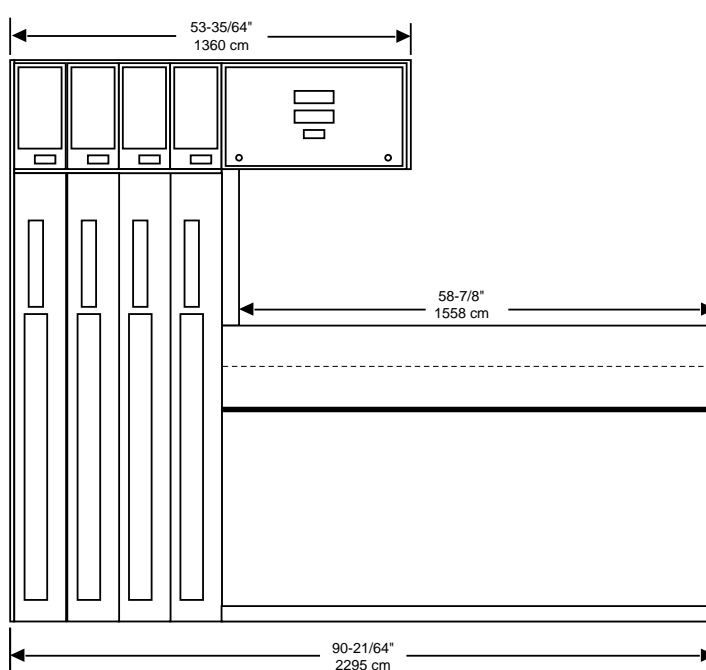
Two-Grade Pump



Three-Grade Pump

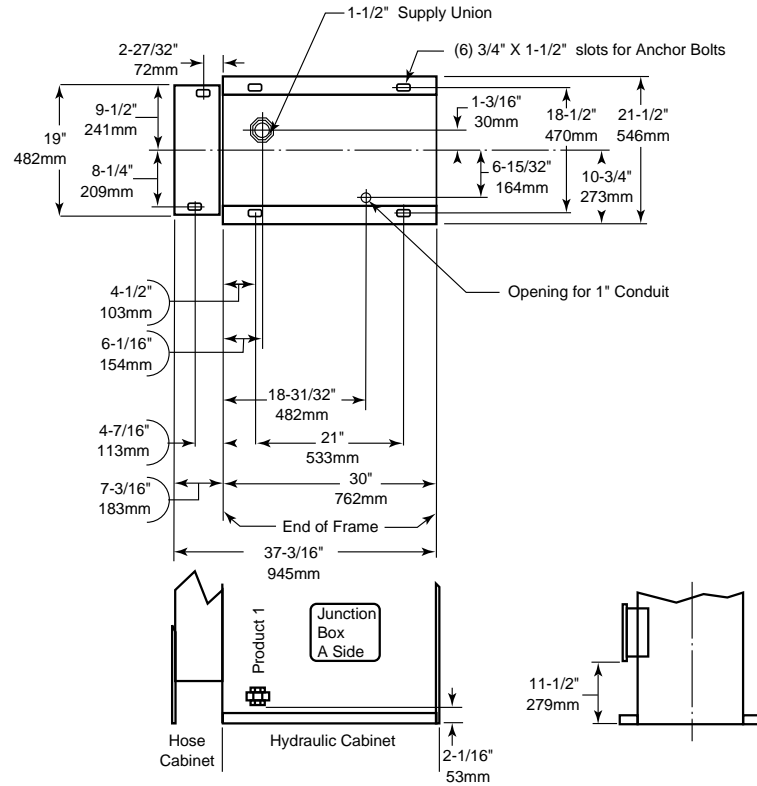


Four-Grade Pump

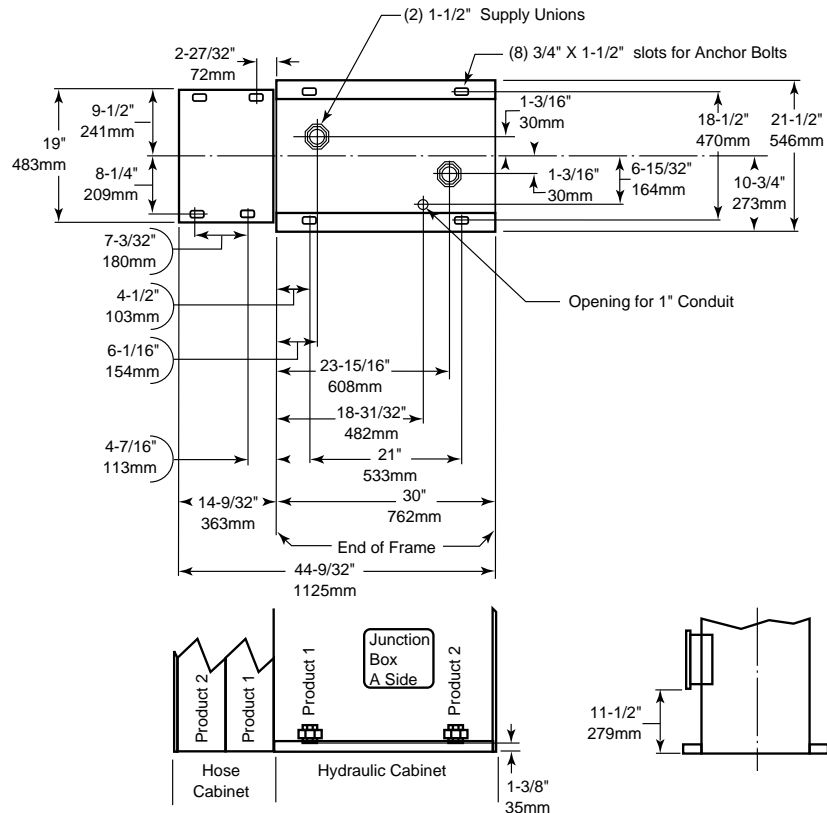


Footprint- Standard Configuration

One-Grade

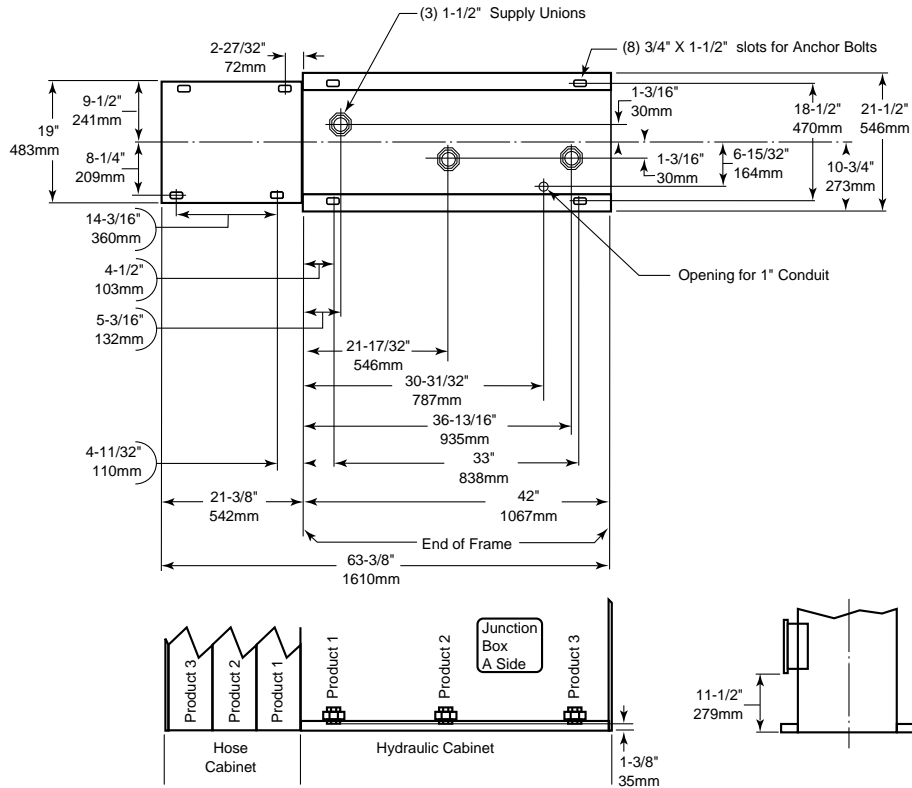


Two-Grade



Standard Configuration

Three-Grade



Four-Grade

