

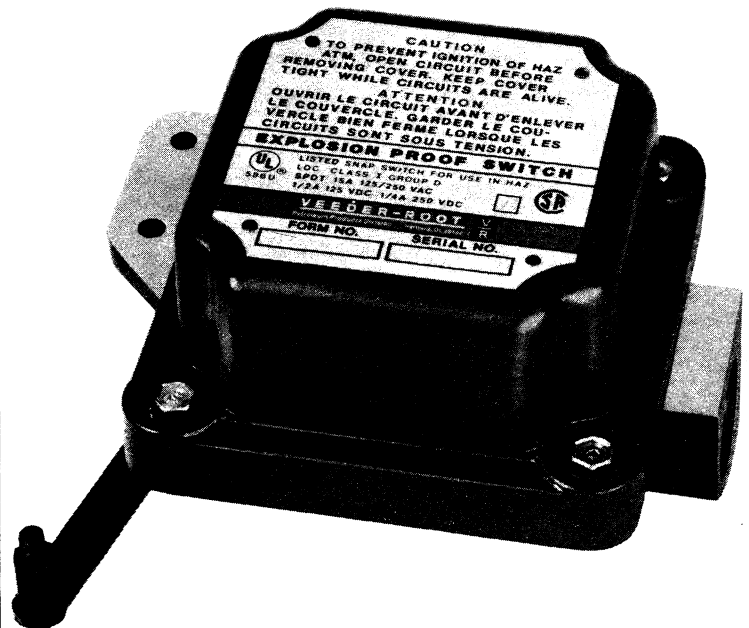
Parts List

PRESET SWITCH ASSEMBLY

Technical Manual
9-001
Issued 12/99
Supersedes: 7/89

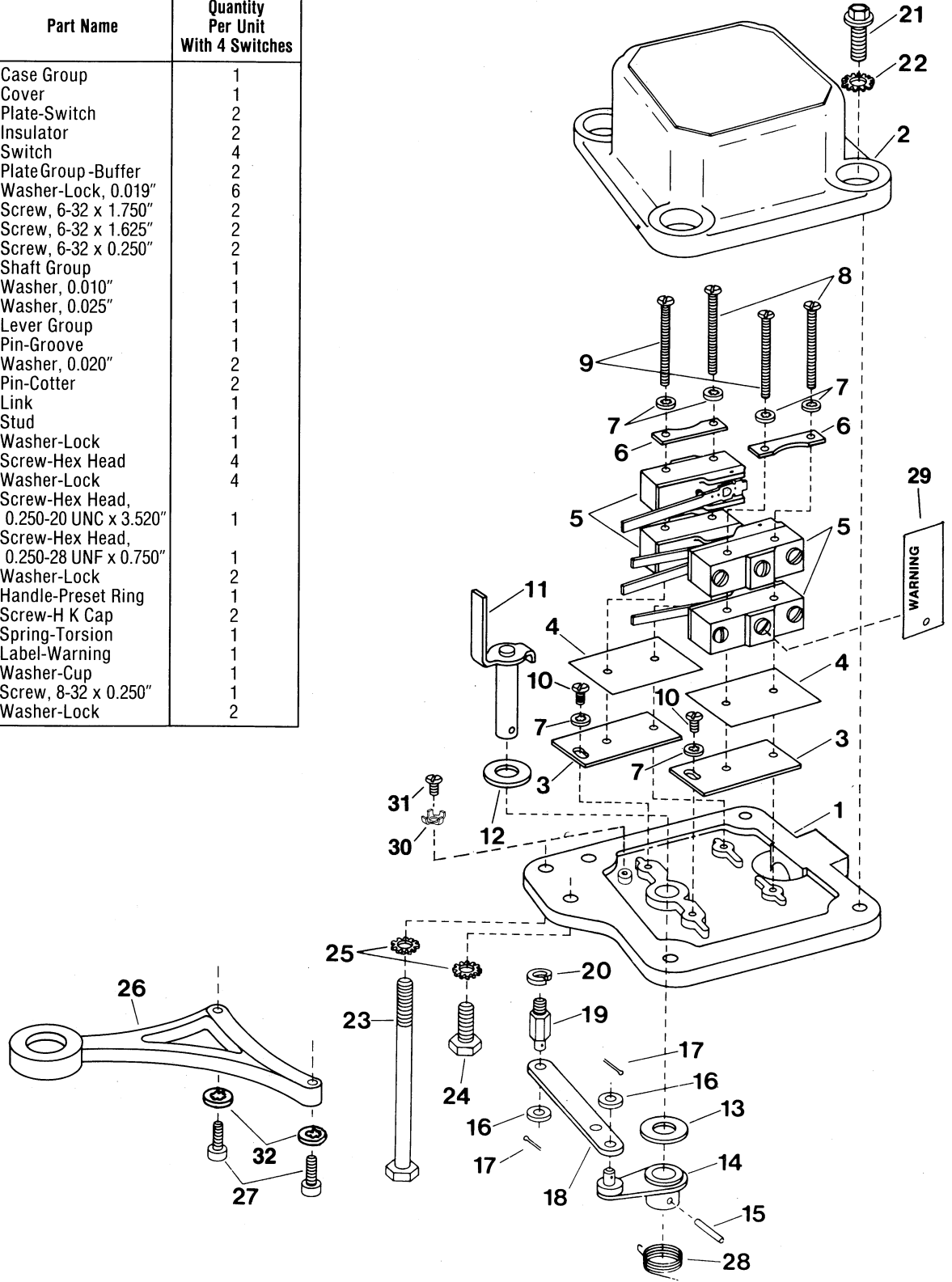
251314
Rev. A

SERIES
7856



VEEDER-ROOT 

Item No.	Part Number	Part Name	Quantity Per Unit With 4 Switches
1	325184-001	Case Group	1
2	325182-001	Cover	1
3	325210-001	Plate-Switch	2
4	325256-001	Insulator	2
5	510908-382	Switch	4
6	324381-002	PlateGroup -Buffer	2
7	510009-002	Washer-Lock, 0.019"	6
8	501700-188	Screw, 6-32 x 1.750"	2
9	501700-187	Screw, 6-32 x 1.625"	2
10	501700-121	Screw, 6-32 x 0.250"	2
11	325209-001	Shaft Group	1
12	11071-CK-150	Washer, 0.010"	1
13	885005-749	Washer, 0.025"	1
14	325213-001	Lever Group	1
15	510100-102-042	Pin-Groove	1
16	11071-CP-171	Washer, 0.020"	2
17	510300-106	Pin-Cotter	2
18	325215-001	Link	1
19	877040-669	Stud	1
20	510085-107	Washer-Lock	1
21	510500-325	Screw-Hex Head	4
22	510003-006	Washer-Lock	4
23	503300-113	Screw-Hex Head, 0.250-20 UNC x 3.520"	1
24	503619-001	Screw-Hex Head, 0.250-28 UNF x 0.750"	1
25	510003-006	Washer-Lock	2
26	325214-001	Handle-Preset Ring	1
27	503610-001	Screw-H K Cap	2
28	310340-598	Spring-Torsion	1
29	327446-001	Label-Warning	1
30	510908-494	Washer-Cup	1
31	502200-129	Screw, 8-32 x 0.250"	1
32	510013-001	Washer-Lock	2



6th Avenue at Burns Crossing, P.O. Box 1673, Altoona, PA 16603-1673 Phone (814) 695-4476, or (800) 873-3313, Fax (814) 695-7605, or (800) 234-5350
 BRAZIL: Sao Paulo • CANADA: Mississauga, Ontario • ENGLAND: Richmond Surrey • FRANCE: Aulnay-Sous-Bois • GERMANY: Aldingen • SINGAPORE: Singapore