

MODEL 9800A/2600A HIGH HOSE RETRIEVER KIT INSTALLATION INSTRUCTIONS

This instruction sheet covers the installation of the Model 9800A and 2600A High Hose Retriever Kit (Gasboy P/N 032676). You should have received the following:

Item	Qty.	P/N	Description
1	1	SEE REEL & CLAMP MATRIX	
2	1	SEE REEL & CLAMP MATRIX	
3	1	063838	Support Bar Assy.
4	1	017930	Caplug
5	3	051956	Bolt (5/16-18 x 2) SS
6	1	051957	Bolt (5/16-18 x 2-1/2) SS
8	4	068079	Washer (5/16) SS
9	4	068874	Lock Washer (5/16) SS
11	1	056927	Spacer
12	1	047219	Plug Button (7/8)
13	1	013250	Anchor (5/16)
N/A	1	032622	Instruction Sheet
N/A	1	035282	Warning Sheet

REEL & CLAMP MATRIX			
The kits listed below consist of one reel and one clamp unless noted otherwise.			
Hose Type	Kit P/N	Reel	Clamp
5/8", 3/4" HW/SW	032666	030804	020714
1" SW	032667	030805	020712
1" HW (STD 1-7/16" OD)	032668	030805	020718
1" HW (1-3/8" OD)	032669	030805	020719
GY PREM COAX V.R.	032671	030804	026732
1-1/4" SW	032670	030805	020717

In addition to the standard tools and supplies required for dispenser installations, you will also need a 5/8" diameter masonry drill bit

Important: Read all instructions before beginning installation. Also, read and follow all precautions regarding remote dispensers and pumps on the *Warnings and Safeguards* sheet, 035282, included in this kit.

WARNING

*This is a **hazardous** location and thus prohibits the use of spark and/or heat producing tools. The use of a pneumatic tool operating at a low speed is recommended for drilling operation performed in Step 5.*

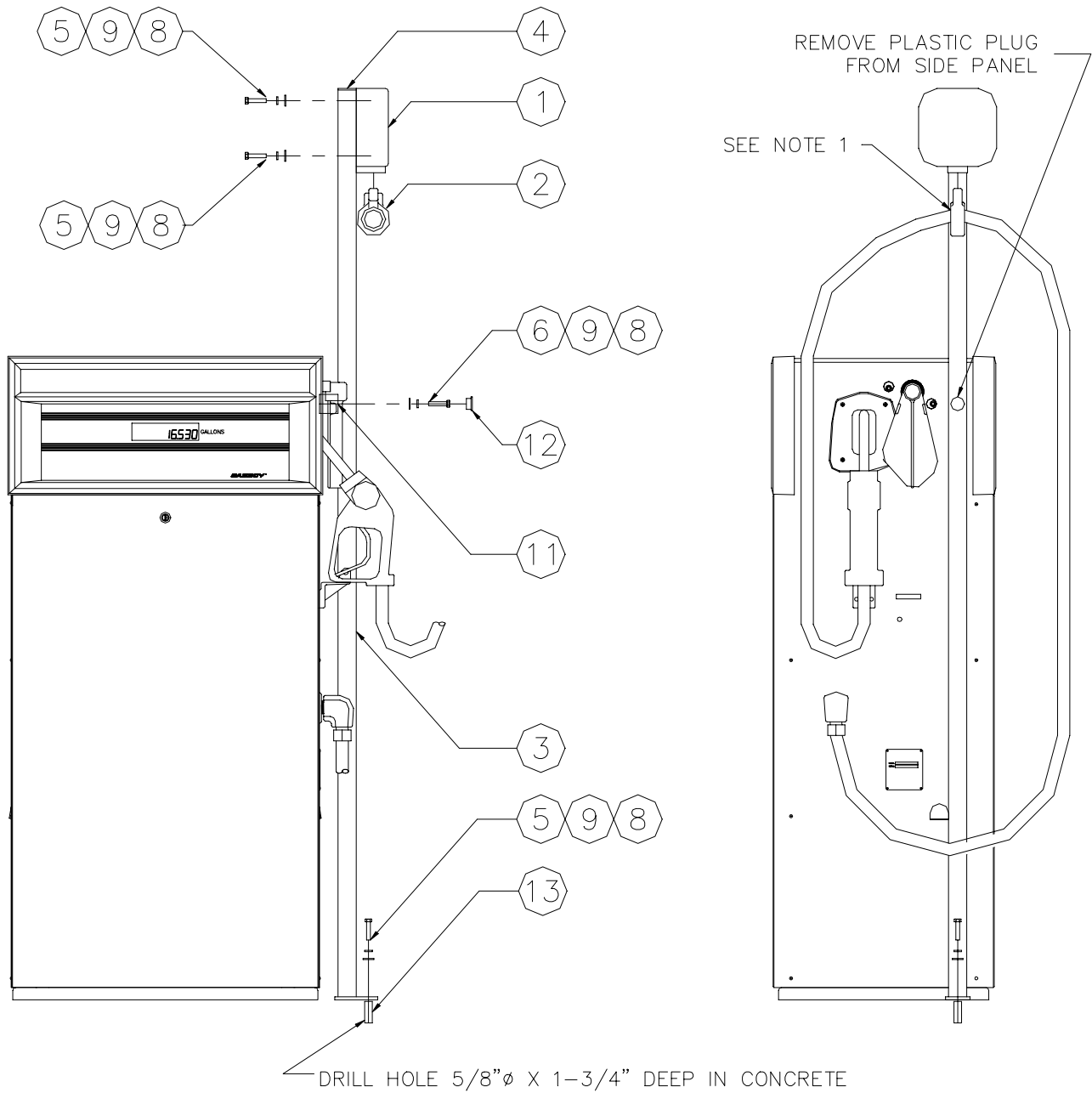
Mounting Hose Retriever

- Assemble clamp and reel assy. (items 1 and 2) to support post (item 3) with hardware items 5,9, and 8.
- Install cap-plug (item 4) to top of support post (item 3).
- Remove plastic plug from side panel of dispensing unit (see overview on page 2).
- Install reel and support post assembly to side of dispensing unit with items 6, 9, 8, and 11 and leave loose. Item 11 mounts between post and side panel.
- Making sure that support post is plumb, mark and drill a 5/8" DIA. X 1-3/4" deep hole in island. Install anchor (item 13) into island surface. Fasten support bar to island using hardware items 5, 9, and 8.
- Tighten all hardware from Step 4. Plug hole in support post with item 12.

Mounting Hose to Retriever/Clamp Assy.

- Assemble clamp to hose and position so that hose does not touch ground when nozzle is hung in nozzle boot. Pull out hose and check operation of the retriever and lay of hose.

HIGH HOSE RETRIEVER OVERVIEW



NOTE 1: Clamp should be positioned so that hose does not touch the ground when nozzle is hung in nozzle boot.