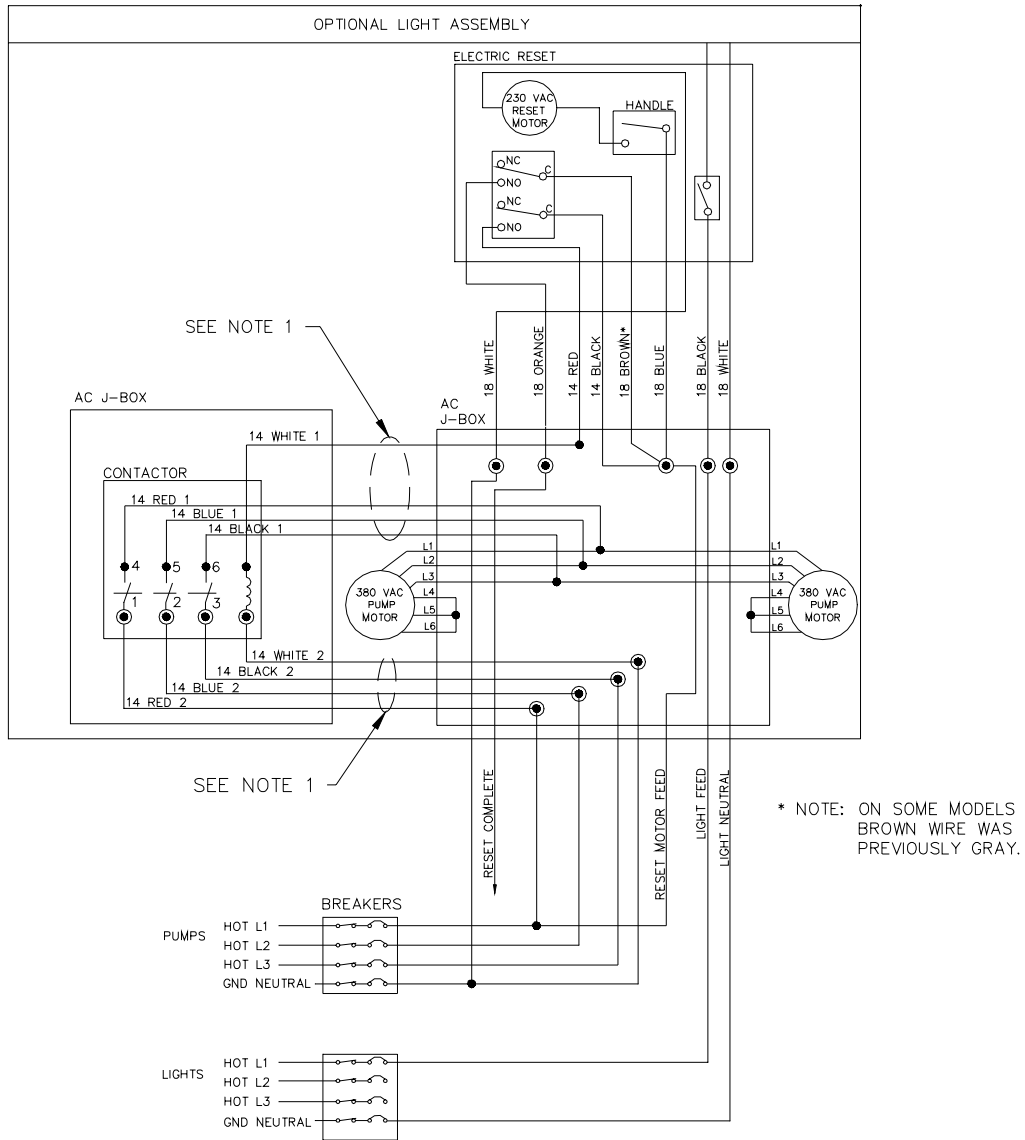


USED FOR MODELS:

9140A, 9153AHC

380 VAC, 50 HZ., 3-PHASE



NOTE 1: WIRES FROM MAIN AC J-BOX TO AUXILIARY CONTACTOR J-BOX ARE LABELED "1" OR "2" AS INDICATED ON BOTH ENDS

NOTES:

1. All wiring is to be installed and used in accordance with local building/fire codes, all Federal State, and Local codes, the National Electrical Code (NFPA 70), NFPA 30, and the Automotive and Marine Service Station Code (NFPA 30A) codes and regulations.
2.
 - Indicates Factory Connection
 - ⊙ Indicates Field Connection
3. Reset Complete (switch detect) line is used only when connecting to external control circuitry. Wire must be left capped when not in use.
4. See the Installation Manual for more detailed installation (wire size, conduit, etc.) and maintenance requirements.