

Introduction

Purpose

This manual provides assembling and installation instructions for the Encore® Enhanced Canopy Kit (EN55010GXXXX) and The Advantage®/Wayne® Vista Brandview Canopy Kit (ENG55030GXXXX) on Encore, The Advantage, and Wayne Vista (wide frame) pumps/dispensers. The kits contain the canopy parts and hardware required for installation.

Table of Contents

| Topic | Page |
|--|------|
| Introduction | 1 |
| Important Safety Information | 4 |
| Before You Begin | 6 |
| Assembling Encore Enhanced Canopy Kit (EN55010GXXXX) | 7 |
| Installing Encore Enhanced Canopy Kit (EN55010GXXXX) | 9 |
| Assembling The Advantage/Wayne Vista Brandview Canopy Kit (EN55030GXXXX) | 10 |
| Installing The Advantage/Wayne Vista Brandview Canopy Kit (EN55030GXXXX) | 11 |

Required Reading



Before installing these kits, the installer must read, understand, and follow:

- This manual
- NFPA 30A, The Automotive and Marine Service Station Code
- NFPA 70®, The National Electric Code (NEC®)
- Applicable federal, state, and local codes and regulations

Failure to do so may adversely affect the safe use and operation of the equipment.

Note: These kits must be installed by a Gilbarco® Authorized Service Contractor (ASC) to ensure warranty.

Required Tools

Following tools are required to install the Encore Enhanced Canopy and The Advantage/Wayne Vista Brandview Canopy Kits:

- Metric Socket Set
- Metric Wrench Set
- 8-foot Step Ladder
- Gloves
- Eye Protection

Related Documents

| Document Number | Title | GOLD SM Library |
|-----------------|---|--|
| MDE-2531 | Gilbarco Pump and Dispenser Start-up and Service | <ul style="list-style-type: none"> Pump & Dispenser Start-Up Service Manual |
| MDE-2540 | The Advantage, Legacy®, and MPD® Series Owner's Manual | <ul style="list-style-type: none"> Advantage & Legacy Domestic Warranty and Owners Manuals Export Warranty and Owners Manuals |
| MDE-3804 | Encore and Eclipse® Start-up/Service Manual | <ul style="list-style-type: none"> Encore and Eclipse Service Manual |
| MDE-3893 | Encore and Eclipse Series Owner's Manual | <ul style="list-style-type: none"> Encore and Eclipse Encore and Eclipse Installers |
| PT-1936 | Encore Series Pumps and Dispensers Illustrated Parts Manual | <ul style="list-style-type: none"> Encore and Eclipse Encore and Eclipse Installers Parts Manual |

Parts List

Encore Enhanced Canopy Kit Used on Standard Encore Units

Following table lists the parts for the Encore Enhanced Canopy Kit used on standard Encore units:

| Item # | Description | Part Number | Quantity |
|--------|--|-------------|----------|
| 1 | Canopy Support Assembly | M05637A001 | 2 |
| 2 | Canopy Support Rail | M05581B001 | 2 |
| 3 | Enhanced Encore Canopy Hardware Kit | M05675K001 | 1 |
| 4 | • Bolt, Hexagonal Cap Metric M10 X 25 Yellow Dichromate | M04023B010 | 4 |
| 5 | • Screw, Metric Serrated Flange Hexagonal-head M8 X 20 Yellow Chromate | M00415B010 | 10 |
| 6 | • Nut, Metric Hexagonal Serrated Flange M8 Yellow Chromate | M00414B003 | 10 |
| 7 | • Flat Washer, Metric M10 Yellow Chromate | M00959B017 | 4 |
| 8 | • Lock Washer, Metric M10 Yellow Chromate | M01071B005 | 4 |
| 9 | • Washer, Elastomeric | K80671-24 | 4 |

Encore Enhanced Canopy Kit Used on Encore Units with Diesel Exhaust Fluid (DEF)

Following table lists the parts for the Encore Enhanced Canopy Kit used on Encore units with DEF:

| Item # | Description | Part Number | Quantity |
|--------|--|-------------|----------|
| 1 | Canopy Support Assembly | M05637A003 | 2 |
| 2 | Canopy Support Rail | M05581B001 | 2 |
| 3 | Enhanced Encore Canopy Hardware Kit | M05675K001 | 1 |
| 4 | • Bolt, Hexagonal Cap Metric M10 X 25 Yellow Dichromate | M04023B010 | 4 |
| 5 | • Screw, Metric Serrated Flange Hexagonal-head M8 X 20 Yellow Chromate | M00415B010 | 10 |
| 6 | • Nut, Metric Hexagonal Serrated Flange M8 Yellow Chromate | M00414B003 | 10 |
| 7 | • Flat Washer, Metric M10 Yellow Chromate | M00959B017 | 4 |
| 8 | • Lock Washer, Metric M10 Yellow Chromate | M01071B005 | 4 |
| 9 | • Washer, Elastomeric | K80671-24 | 4 |

The Advantage/Wayne Vista Brandview Canopy Kit Used on The Advantage/Wayne Vista (Wide Frame) Units

Following table lists the parts for the The Advantage/Wayne Vista Brandview Canopy Kit used on The Advantage/Wayne Vista (wide frame) units:

| Item # | Description | Part Number | Quantity |
|--------|--|-------------|----------|
| 1 | Canopy Support Assembly | M05637A001 | 2 |
| 2 | The Advantage Canopy Support Bracket | M13182B001 | 2 |
| 3 | Enhanced Encore Canopy Hardware Kit | M05675K001 | 1 |
| 4 | • Bolt, Hexagonal Cap Metric M10 X 25 Yellow Dichromate | M04023B010 | 4 |
| 5 | • Screw, Metric Serrated Flange Hexagonal-head M8 X 20 Yellow Chromate | M00415B010 | 10 |
| 6 | • Nut, Metric Hexagonal Serrated Flange M8 Yellow Chromate | M00414B003 | 10 |
| 7 | • Flat Washer, Metric M10 Yellow Chromate | M00959B017 | 4 |
| 8 | • Lock Washer, Metric M10 Yellow Chromate | M01071B005 | 4 |
| 9 | • Washer, Elastomeric | K80671-24 | 4 |

Abbreviations and Acronyms

| Term | Description |
|------|--------------------------------------|
| ASC | Authorized Service Contractor |
| DEF | Diesel Exhaust Fluid |
| GOLD | Gilbarco Online Documentation |
| MPD | Multi Product Dispenser |
| NEC | National Electric Code |
| NFPA | National Fire Protection Association |
| ESD | Electrostatic Discharge |

Important Safety Information

Notes: 1) Save this Important Safety Information section in a readily accessible location.

2) Although DEF is non-flammable, Diesel is flammable. Therefore, for DEF cabinets that are attached to Diesel dispensers, follow all the notes in this section that pertain to flammable fuels.

This section introduces the hazards and safety precautions associated with installing, inspecting, maintaining, or servicing this product. Before performing any task on this product, read this safety information and the applicable sections in this manual, where additional hazards and safety precautions for your task will be found. Fire, explosion, electrical shock, or pressure release could occur and cause death or serious injury, if these safe service procedures are not followed.


Preliminary Precautions


You are working in a potentially dangerous environment of flammable fuels, vapors, and high voltage or pressures. Only trained or authorized individuals knowledgeable in the related procedures should install, inspect, maintain, or service this equipment.

Emergency Total Electrical Shut-Off

The first and most important information you must know is how to stop all fuel flow to the pump/dispenser and island. Locate the switch or circuit breakers that shut off all power to all fueling equipment, dispensing devices, and Submerged Turbine Pumps (STPs).

⚠ WARNING

 The EMERGENCY STOP, ALL STOP, and PUMP STOP buttons at the cashier's station WILL NOT shut off electrical power to the pump/dispenser. This means that even if you activate these stops, fuel may continue to flow uncontrolled.

 You must use the TOTAL ELECTRICAL SHUT-OFF in the case of an emergency and not the console's ALL STOP and PUMP STOP or similar keys.

Total Electrical Shut-Off Before Access

Any procedure that requires access to electrical components or the electronics of the dispenser requires total electrical shut off of that unit. Understand the function and location of this switch or circuit breaker before inspecting, installing, maintaining, or servicing Gilbarco equipment.

Evacuating, Barricading, and Shutting Off

Any procedure that requires access to the pump/dispenser or STPs requires the following actions:



- An evacuation of all unauthorized persons and vehicles from the work area
- Use of safety tape, cones, or barricades at the affected unit(s)
- A total electrical shut-off of the affected unit(s)

Read the Manual

Read, understand, and follow this manual and any other labels or related materials supplied with this equipment. If you do not understand a procedure, call a Gilbarco Authorized Service Contractor or call the Gilbarco Support Center at 1-800-800-7498. It is imperative to your safety and the safety of others to understand the procedures before beginning work.

Follow the Regulations

Applicable information is available in National Fire Protection Association (NFPA) 30A; *Code for Motor Fuel Dispensing Facilities and Repair Garages*, NFPA 70; *National Electrical Code (NEC)*, Occupational Safety and Health Administration (OSHA) regulations and federal, state, and local codes. All these regulations must be followed. Failure to install, inspect, maintain, or service this equipment in accordance with these codes, regulations, and standards may lead to legal citations with penalties or affect the safe use and operation of the equipment.

Replacement Parts

Use only genuine Gilbarco replacement parts and retrofit kits on your pump/dispenser. Using parts other than genuine Gilbarco replacement parts could create a safety hazard and violate local regulations.

Safety Symbols and Warning Words

This section provides important information about warning symbols and boxes.

Alert Symbol



This safety alert symbol is used in this manual and on warning labels to alert you to a precaution which must be followed to prevent potential personal safety hazards. Obey safety directives that follow this symbol to avoid possible injury or death.

Signal Words

These signal words used in this manual and on warning labels tell you the seriousness of particular safety hazards. The precautions below must be followed to prevent death, injury, or damage to the equipment:



DANGER: Alerts you to a hazard or unsafe practice which will result in death or serious injury.



WARNING: Alerts you to a hazard or unsafe practice that could result in death or serious injury.



CAUTION with Alert symbol: Designates a hazard or unsafe practice which may result in minor injury.



CAUTION without Alert symbol: Designates a hazard or unsafe practice which may result in property or equipment damage.

Working With Fuels and Electrical Energy

Prevent Explosions and Fires

Fuels and their vapors will explode or burn, if ignited. Spilled or leaking fuels cause vapors. Even filling customer tanks will cause potentially dangerous vapors in the vicinity of the dispenser or island.

DEF is non-flammable. Therefore, explosion and fire safety warnings do not apply to DEF lines.

No Open Fire



Open flames from matches, lighters, welding torches, or other sources can ignite fuels and their vapors.

No Sparks - No Smoking



Sparks from starting vehicles, starting, or using power tools, burning cigarettes, cigars, or pipes can also ignite fuels and their vapors. Static electricity, including an electrostatic charge on your body, can cause a spark sufficient to ignite fuel vapors. Every time you get out of a vehicle, touch the metal of your vehicle, to discharge any electrostatic charge before you approach the dispenser island.

Working Alone

It is highly recommended that someone who is capable of rendering first aid be present during servicing. Familiarize yourself with Cardiopulmonary Resuscitation (CPR) methods, if you work with or around high voltages. This information is available from the American Red Cross. Always advise the station personnel about where you will be working, and caution them not to activate power while you are working on the equipment. Use the OSHA Lockout/Tagout procedures. If you are not familiar with this requirement, refer to this information in the service manual and OSHA documentation.

Working With Electricity Safely

Ensure that you use safe and established practices in working with electrical devices. Poorly wired devices may cause a fire, explosion, or electrical shock. Ensure that grounding connections are properly made. Take care that sealing devices and compounds are in place. Ensure that you do not pinch wires when replacing covers. Follow OSHA Lockout/Tagout requirements. Station employees and service contractors need to understand and comply with this program completely to ensure safety while the equipment is down.

Hazardous Materials

Some materials present inside electronic enclosures may present a health hazard if not handled correctly. Ensure that you clean hands after handling equipment. Do not place any equipment in the mouth.

WARNING

The pump/dispenser contains a chemical known to the State of California to cause cancer.

WARNING

The pump/dispenser contains a chemical known to the State of California to cause birth defects or other reproductive harm.

In an Emergency

Inform Emergency Personnel

Compile the following information and inform emergency personnel:

- Location of accident (for example, address, front/back of building, and so on)
- Nature of accident (for example, possible heart attack, run over by car, burns, and so on)
- Age of victim (for example, baby, teenager, middle-age, elderly)
- Whether or not victim has received first aid (for example, stopped bleeding by pressure, and so on)
- Whether or not a victim has vomited (for example, if swallowed or inhaled something, and so on)

WARNING



Gasoline/DEF ingested may cause unconsciousness and burns to internal organs. Do not induce vomiting. Keep airway open. Oxygen may be needed at scene. Seek medical advice immediately.

WARNING

DEF generates ammonia gas at higher temperatures. When opening enclosed panels, allow the unit to air out to avoid breathing vapors. If respiratory difficulties develop, move victim away from source of exposure and into fresh air. If symptoms persist, seek medical attention.

WARNING



Gasoline inhaled may cause unconsciousness and burns to lips, mouth, and lungs. Keep airway open. Seek medical advice immediately.

WARNING



Gasoline/DEF spilled in eyes may cause burns to eye tissue. Irrigate eyes with water for approximately 15 minutes. Seek medical advice immediately.

WARNING



Gasoline/DEF spilled on skin may cause burns. Wash area thoroughly with clear water. Seek medical advice immediately.

WARNING

DEF is mildly corrosive. Avoid contact with eyes, skin, and clothing. Ensure that eyewash stations and safety showers are close to the work location. Seek medical advice/recommended treatment if DEF spills into eyes.

IMPORTANT: Oxygen may be needed at scene if gasoline has been ingested or inhaled. Seek medical advice immediately.

Lockout/Tagout

Lockout/Tagout covers servicing and maintenance of machines and equipment in which the unexpected energization or start-up of the machine(s) or equipment or release of stored energy could cause injury to employees or personnel. Lockout/Tagout applies to all mechanical, hydraulic, chemical, or other energy, but does not cover electrical hazards. Subpart S of 29 CFR Part 1910 - Electrical Hazards, 29 CFR Part 1910.333 contains specific Lockout/Tagout provision for electrical hazards.

Before You Begin

Read and follow all information provided in “[Important Safety Information](#)” on [page 4](#).

CAUTION



A properly grounded Electrostatic Discharge (ESD) wrist strap must be worn while servicing any electronic devices or components. Failure to use electrostatic precautions may damage electronic components and void warranty.

To prepare the site and pump/dispenser for the assembly and installation, proceed as follows:

- 1 Inform the manager that the power will be disconnected. For more information, refer to *MDE-2531 Gilbarco Pump and Dispenser Start-up and Service* and *MDE-3804 Encore and Eclipse Start-Up/Service Manual*.
- 2 Observe and execute the following safety precautions and procedures before and during assembly:
 - Barricade the work area.
 - Do not allow vehicles or unauthorized people in work area.
 - Do not smoke or have open flames in work area.
 - Do not use power tools in work area.
 - Wear protective gear while performing these procedures.
 - Sheet metal parts may have sharp edges. When handling sheet metal, wear gloves to protect hands from cuts.
- 3 If there is an existing pump/dispenser topper in place that has AC power connected to it, remove AC power to the topper. If power is shared with the unit, remove power from the unit and topper using the station circuit breaker. Follow OSHA lockout/tagout procedures.
- 4 Remove any existing canopy or topper, and secure any electrical leads in accordance with NEC guidelines before proceeding.
- 5 Match the parts received in the kit with “[Parts List](#)” on [page 2](#).

WARNING

Failure to turn off the unit during kit installation may cause injury or bodily harm from electrical shock. Ensure that all power to the unit is switched off before opening the door to the unit and during kit installation.

Note: Two people are recommended for placing the canopy on top of the pump/dispenser.

Assembling Encore Enhanced Canopy Kit (EN55010GXXXX)

The Encore Enhanced Canopy Kit must be assembled before mounting on an Encore pump/dispenser. To assemble the kit, proceed as follows:

- 1 Prepare a work area by placing a protective material (cardboard or similar material) on the work surface to protect the paint/decals on the canopy. Cover an area of approximately 6 X 6 feet.
- 2 Locate the two Canopy Support Rails (M05581B001) and two Canopy Support Assemblies (M05637A001 for standard Encore units or M05637A003 for Encore units with DEF) in the kit.
- 3 Place and orient the two canopy support assemblies on the protected area. For assembling the Encore enhanced canopy in standard Encore units, see [Figure 1](#). For assembling the Encore enhanced canopy in Encore units with DEF, see [Figure 2](#).

Figure 1: Assembling Enhanced Canopy in Standard Encore Units

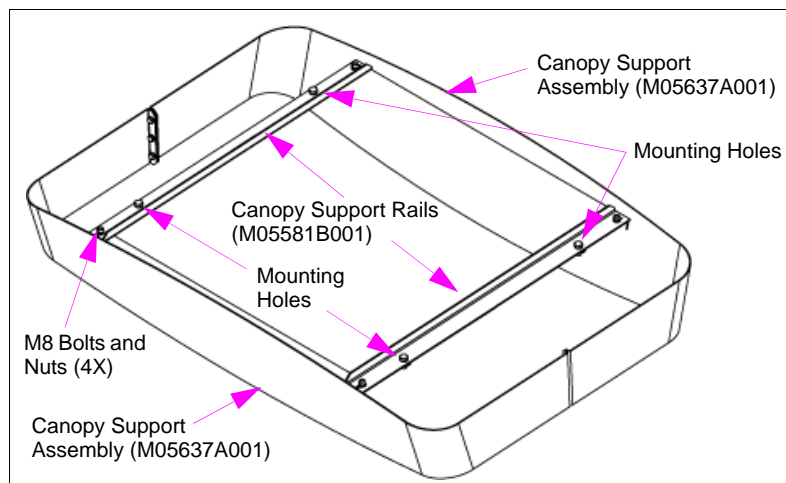
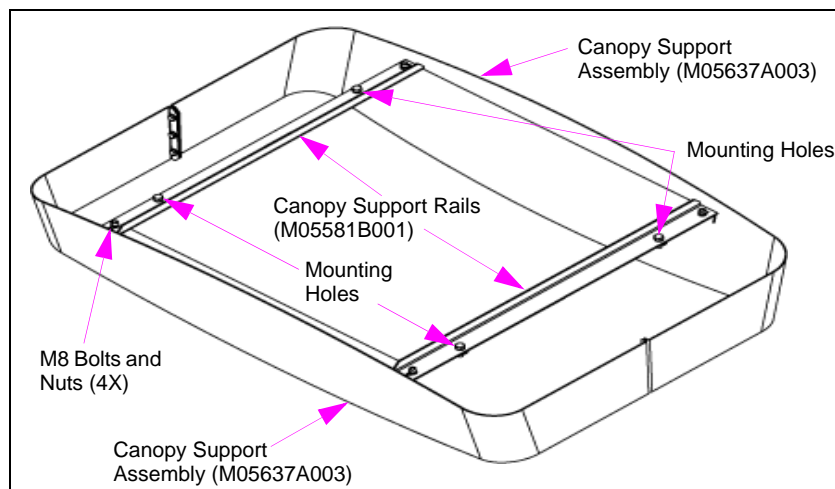
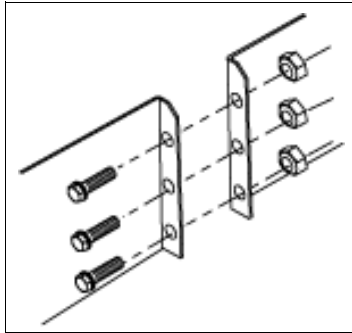


Figure 2: Assembling Enhanced Canopy in Encore Units with DEF



- 4 Place the canopy support rails on the brackets attached to the canopy support assemblies (see [Figure 1](#) and [Figure 2](#) on [page 7](#)).
- 5 Loosely secure by placing the three M00415B010 Screws through the slots of the support rails and holes in the brackets attached to the support assemblies and mount the three M00414B003 Nuts (see [Figure 1](#) and [Figure 2](#) on [page 7](#)).
- 6 Repeat steps 4 and 5 for the second support rail/mounting bracket assembly.

Figure 3: Connecting Canopy Support Assemblies



- 7 At one end of the assembly, align the three holes in the ends of the support assemblies (see [Figure 1](#) and [Figure 2](#) on [page 7](#)) and loosely secure with three bolts and three nuts.
- 8 Repeat step 7 at the other end of the assembly.
- 9 After all screws, washers, and nuts are in place, tighten all the nuts securely. Tighten the screws and nuts such that all parts of the canopy assembly are pulled into proper position and shape.
- 10 Place the assembled canopy in a protected area until installation.
- 11 If additional Encore Enhanced Canopy kits are to be assembled, repeat the assembly process in steps 2 (on [page 7](#)) to 10 for each of the remaining kits.

Installing Encore Enhanced Canopy Kit (EN55010GXXXX)

To install the Encore Enhanced Canopy Kit on an Encore pump/dispenser, proceed as follows:

WARNING

To prevent injury to personnel and damage to the equipment, ensure that you support the canopy assembly when placing it on the pump/dispenser and before it is secured in place.

- 1 If there is no previous topper on the unit or if the top cover mounting bolts are still in place, remove the mounting bolts holding the top cover in place.
- 2 Place the assembled unit on top of the pump/dispenser ensuring that the assembly is centered on the pump/dispenser.
Note: Two people are recommended for placing the canopy on top of the pump/dispenser.
- 3 Ensure that the decals on the canopy are properly displayed.
- 4 Align the holes in the brackets (see [Figure 1](#) and [Figure 2](#) on [page 7](#)) with the mounting holes in pump/dispenser and secure in place using the four M04023B010 Bolts, four Elastomeric Washers (K80671-24), and four Lock Washers (M01071B004).

Completing Installation

To complete the installation, proceed as follows:

- 1 Remove from the site any equipment/materials that were removed from the pump/dispenser, unused materials, protective material used during assembly, and safety equipment.
- 2 Restore power to the pump/dispenser.

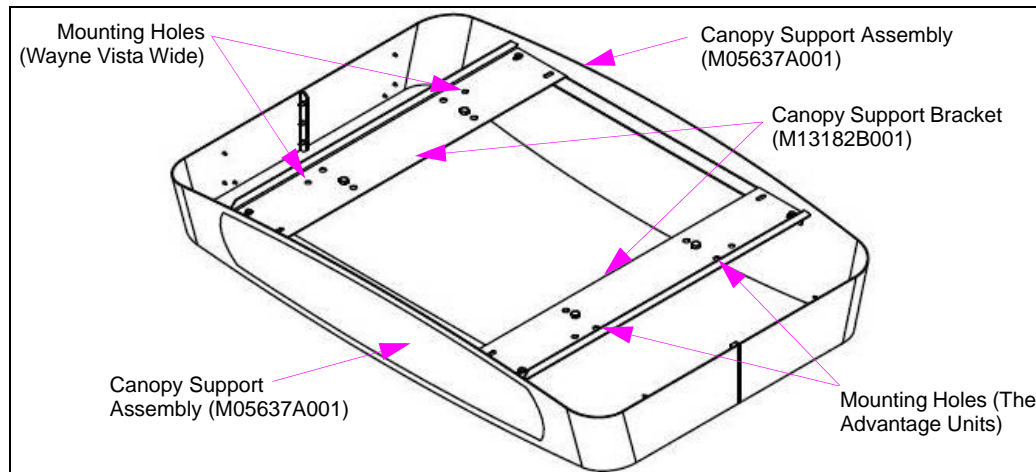
Installing the Encore Enhanced Canopy Kit is now complete.

Assembling The Advantage/Wayne Vista Brandview Canopy Kit (EN55030GXXXX)

The Advantage/Wayne Vista Brandview Canopy Kit must be assembled before mounting on an Advantage/Wayne Vista pump/dispenser. To assemble the kit, proceed as follows:

- 1 Prepare a work area by placing a protective material (cardboard or similar material) on the work surface to protect the paint/decals on the canopy. Cover an area of approximately 6 X 6 feet.
- 2 Locate the two Canopy Support Brackets (M13182B001) and two Canopy Support Assemblies (M05637A001) for Advantage/Wayne Vista units in the kit.
- 3 Place and orient the two canopy support assemblies on the protected area. For assembling the Advantage/Wayne Vista units, see [Figure 4](#).
- 4 Place the canopy support bracket on the brackets attached to the canopy support assemblies (see [Figure 4](#)).
- 5 Loosely secure by placing the M00415B010 Screws through the slots of the support rails and holes in the brackets attached to the support assemblies and mount the M00414B003 Nuts (see [Figure 4](#)).
- 6 Repeat steps 4 and 5 for the second support rail/mounting bracket assembly.

Figure 4: Assembling Enhanced Canopy in Advantage/Wayne Vista (Wide Frame) Units



- 7 At one end of the assembly, align the three holes in the ends of the support assemblies and loosely secure with three screws and three nuts.
- 8 Repeat step 7 at the other end of the assembly.
- 9 After all screws, washers, and nuts are in place, tighten all the nuts securely. Tighten the bolts and nuts such that all parts of the canopy assembly are pulled into proper position and shape.

- 10 Place the assembled canopy in a protected area until installation.
- 11 If additional Advantage/Wayne Vista Brandview Kits are to be assembled, repeat the assembly process in steps 2 (on [page 10](#)) to 10 for each of the remaining kits.

Installing The Advantage/Wayne Vista Brandview Canopy Kit (EN55030GXXXX)

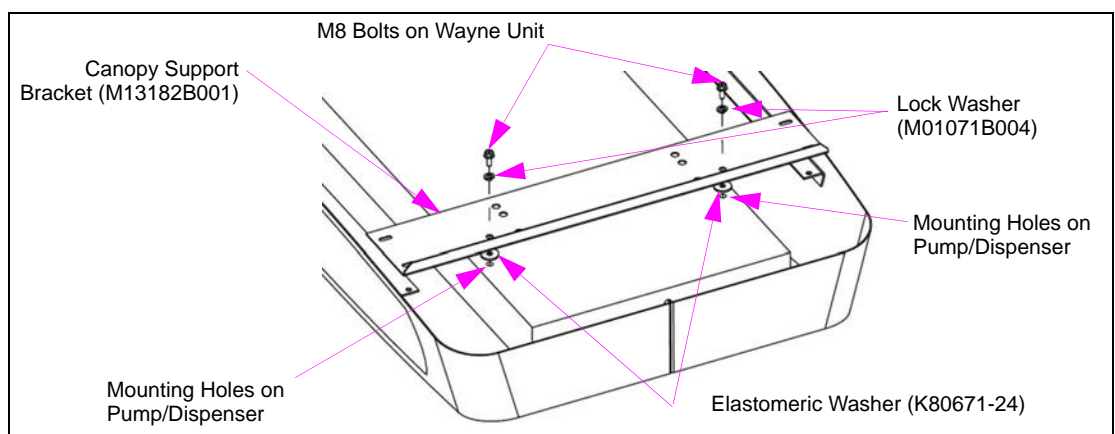
To install The Advantage/Wayne Vista Brandview Canopy Kit on The Advantage/Wayne Vista (wide frame) pump/dispenser, proceed as follows:

WARNING

To prevent injury to personnel and damage to the equipment, ensure that you support the canopy assembly when placing it on the pump/dispenser and before it is secured in place.

- 1 If there is no previous topper on the unit or if the top cover mounting bolts are still in place, remove the mounting bolts holding the top cover in place.
- 2 Place the assembled unit on top of the pump/dispenser ensuring that the assembly is centered on the pump/dispenser.
Note: Two people are recommended for placing the canopy on top of the pump/dispenser.
- 3 Ensure that the decals on the canopy are properly displayed.
- 4 Align the holes in the brackets (see [Figure 5](#)) with the mounting holes in pump/dispenser and secure in place using the four M04023B010 Bolts for The Advantage units and existing M8 bolts on Wayne Vista wide frame units), four Elastomeric Washers (K80671-24), and four Lock Washers (M01071B004).

Figure 5: Installing Enhanced Canopy in The Advantage/Wayne Vista (Wide Frame) Units



Completing Installation

To complete the installation, proceed as follows:

- 1 Remove from the site any equipment/materials that were removed from the pump/dispenser, unused materials, protective material used during assembly, and safety equipment.
- 2 Restore power to the pump/dispenser.

Installing the Advantage/Wayne Vista Brandview Canopy Kit is now complete.

The Advantage® Series, Encore®, Eclipse®, Gilbarco®, Legacy®, and MPD® are registered trademarks of Gilbarco Inc. GOLDSM is a service mark of Gilbarco Inc. NEC® and NFPA 70® are registered trademarks of the National Fire Protection Association. Wayne® is a registered trademark of Dresser Industries Inc.

