



GASBOY

AIR DIAPHRAGM PUMPS

PARTS LIST

035298

Rev. 03/07/03

Copyright 2000 by Gasboy International LLC All rights reserved.

The information in this document is confidential and proprietary. No further disclosure shall be made without permission from Gasboy International LLC. Gasboy International LLC believes that the information in this document is accurate and reliable. However, we assume no responsibility for its use, nor for any infringements of patents or other rights of third parties resulting from its use. We reserve the right to make changes at any time without notice.

GASBOY INTERNATIONAL, INC LANSDALE, PA

IMPORTANT WARNINGS AND SAFEGUARDS

Gasoline and petroleum products are flammable. To avoid injury or death to persons or damage to equipment or property, follow these listed warnings and other warnings and precautions outlined in this manual when installing, using, or working around this equipment. Check with GASBOY Technical Services for compatibility of liquids with pump materials.

TURN OFF AND LOCK OUT ALL POWER TO PUMP BEFORE PERFORMING SERVICE, MAINTENANCE OR IN THE EVENT OF A FUEL SPILL.

All products must be installed by a qualified installer and used in conformance with all building, fire, and environmental codes and other safety requirements applicable to its installation and use, including, but not limited to, NFPA 30, NFPA 30A, NFPA 395 & NFPA 70. A qualified installer is familiar with fuel systems installations under the above stated building, fire, and environmental codes and other safety requirements for the particular type of installation.

This product is only part of a fuel dispensing system and additional equipment and accessories, such as, but not limited to, breakaway connectors, shear valves, pressure regulators, flow limiters, and other safety devices may be necessary to meet the applicable codes.

For maximum safety, we recommend that all employees be trained as to the location and procedure for turning off power to the entire system. Instructions regarding proper operation of the equipment along with the appropriate safety warnings should be posted in plain view at the fuel island.

Before performing service or maintenance (including changing of fuel filters or strainers) or in the event of a fuel spill, turn off and lock out all power to the system. In battery-powered pumps, disconnect power source. In submersible pump applications, turn off and lock out power at the master panel and close any impact valves to the submersible pump and any other dispensers which use that submersible pump. AC power can feed back into a shut-off dispenser when dispensers share a common submersible pump or starter relay. Also block islands so no vehicles can pull up to the dispenser when the dispenser is being worked on.

DO NOT use Teflon tape for any pipe threads in the product.

DO NOT use consumer pumps for pumping fuel or additives into aircraft.

DO NOT use commercial pumps for direct fueling of aircraft without filters and separators necessary to ensure product purity.

DO NOT use where sanitary design is required (for food products for human consumption) or with water-based liquids.

DO NOT smoke near the pump or when using the pump.

DO NOT use near open flame or electrical equipment which may ignite fumes.

DO NOT permit the dispensing of gasoline or other petroleum products into a vehicle with its motor running.

DO NOT permit the dispensing of gasoline or other petroleum products into unapproved containers or into approved containers in or on vehicles including trucks. All containers must be filled on the ground to prevent static discharge. Always use Approved and Listed hoses and nozzles with electric pumps and dispensers.

DO NOT block open the nozzle in any manner. Nozzles shall conform to UL and NFPA code requirements for attended or unattended service.

DO ensure that the pump is equipped with proper filters based on the product being dispensed and its intended use.

DO wear safety goggles and protective clothes when dispensing any liquid which may be potentially harmful or hazardous.

DO keep all parts of body and loose clothing clear of belts, pulleys, and other exposed moving parts at all times.

DO require washing and changing of clothes if fuel is spilled on a person or his/her clothing. Keep away from open flames, sparks, or people smoking.

DO provide a receptacle for catching product from pump/meter when servicing.

DO clean up product spills on the driveway. Turn off and lock out all power prior to cleanup.

DO insure pump is properly grounded.

DO insure hose is compatible with fluid being dispensed.

DO inspect hose, nozzle, and pump on a regular basis for wear, damage, or other conditions which may create a safety or environmental hazard.

DO make sure all pipe threads are properly cut and the inside reamed to remove burrs. Use UL classified gasoline-resisting compound on all joints of gasoline handling piping. Sealing compound must also be resistant to Gasohol (Ethanol and Methanol). Use gasoline-resistant pipe compound on male threads only; pipe compound used on female threads can be squeezed into the supply line where it can enter the product stream and become lodged in the pump or meter.

DO ensure that junction box covers are in place and properly tightened. Mating surfaces between the box and cover must be free of dirt, nicks, and scratches. All unused entries into the junction box must be properly plugged.

AIR DIAPHRAGM PUMPS PARTS LIST

USING THIS PARTS LIST

Your air diaphragm pump is purchased from another manufacturer and distributed by GASBOY. This document will assist you in ordering replacement/repair parts for these pumps.

To use this parts list:

1. Turn to the applicable page for your model:

Page 2 for ¼" Plastic Model
Page 4 for ½" Plastic Model
Page 6 for 1" Plastic Model
Page 8 for 1" Metallic Model
Page 10 for 1-1/2" Metallic Model
Page 12 for 2" Plastic Model
Page 14 for 2" Metallic Model

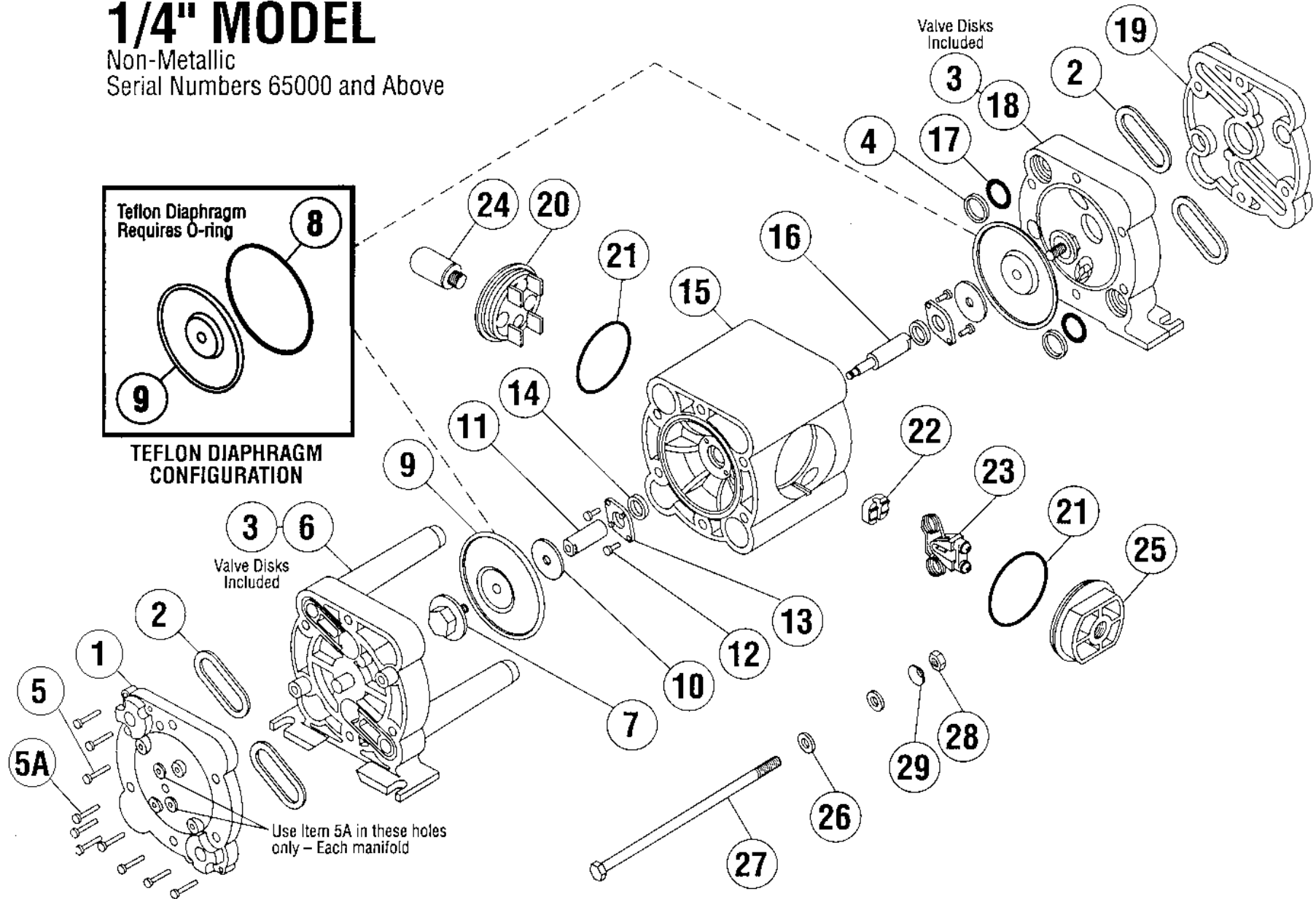
Page 16 contains a GASBOY model cross-reference

2. Use the picture to identify the part needing replacement.
3. Use the parts list to identify the manufacturer's part number/description.
4. Turn to page 18 to crossreference the part number with the associated GASBOY part number.
5. Call the GASBOY customer service department at 1-800-444-5579 and place the order for your parts.

1/4" MODEL NON-METALLIC – SERIAL NUMBERS 35000 AND ABOVE

1/4" MODEL

Non-Metallic
Serial Numbers 65000 and Above



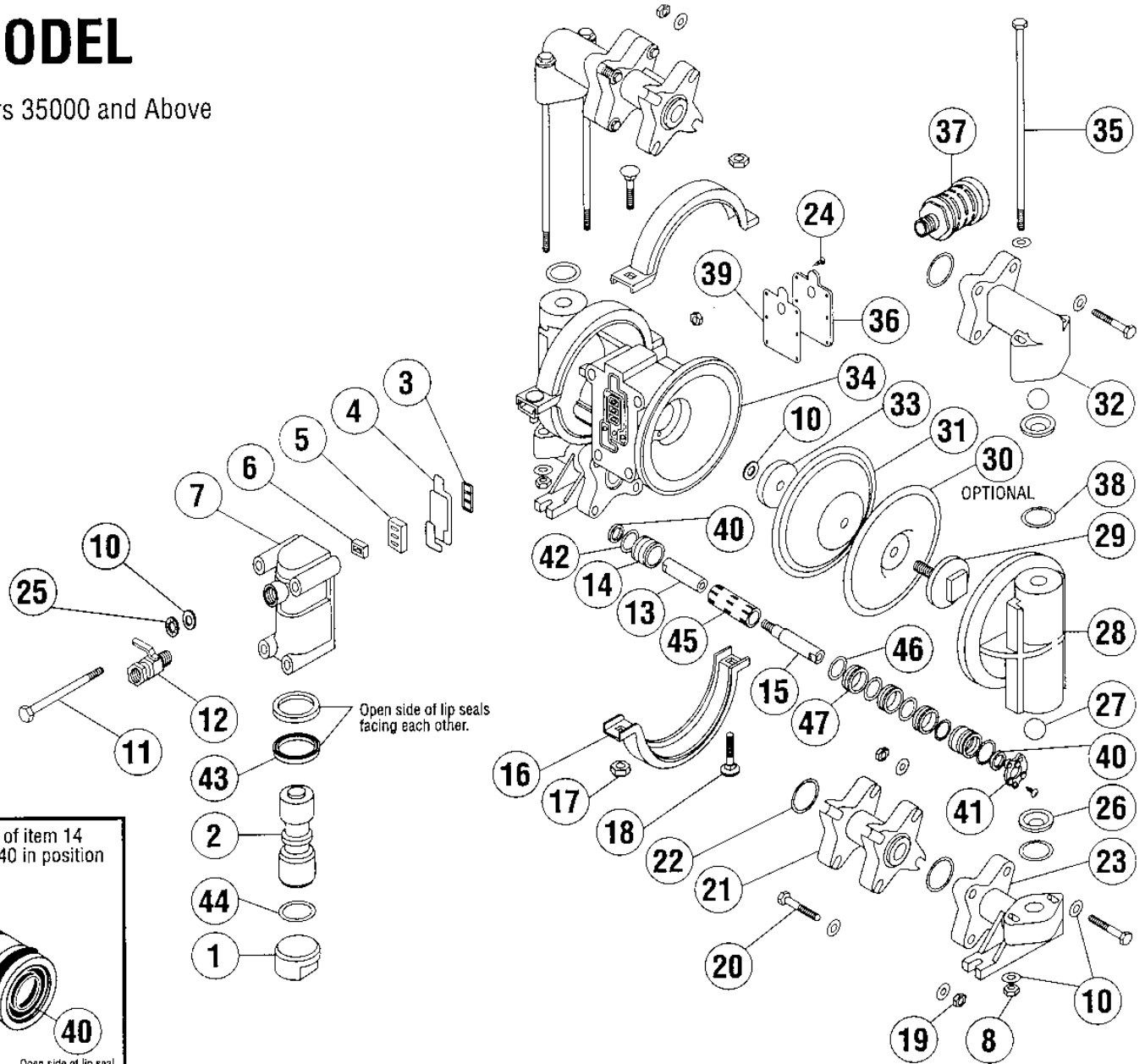
PARTS LISTING FOR 1/4" PLASTIC MODEL					
ITM	DESCRIPTION	QTY PER	MODEL	PART #	MAT'L
1	LEFT MANIFOLD FOR BSP THREADS USE 10503-XX	1	NC, BK RD CN KN	10503-40 10503-42 10503-46 10503-56	POLYPRO NYLON C NYLON PVDF
2	GASKET, MANIFOLD	4	NC, RD-B, CN-B E-SUFFIX CN, BK, RD, KN V-SUFFIX	12111-11 12111-24 12111-59 11903-13	GEOLAST SANTO TEFLON VITON
3	VALVE DISK (incl in items 16 & 19)	4	ALL 1/4"	11006-59	TEFLON
4	O-RING RETAINER	2	KN ALL OTHER 1/4"	11928-17 12711-60	TEFLON POLYPRO
5	SCREW (#8 X 1-1/4")	20	ALL 1/4"	12524-26	SS
5A	SCREW (#8 X 1")	4	ALL 1/4"	12525-26	SS
6	LEFT CHAMBER (Incl item 3)	1	NC, BK RD CN KN	10714-40 10714-42 10714-46 10714-56	POLYPRO NYLON C NYLON PVDF
7	OUTER DIAPHRAGM PLATE	2	NC, BK RD CN KN	11205-40 11205-42 11205-46 11205-56	POLYPRO NYLON C NYLON PVDF
8	O-RING DIAPHRAGM, TEFLON O-RING DIAPHRAGM, VITON	2	BK, RD, KN, CN V-SUFFIX	10606-23 10606-13	SANTO VITON
9	DIAPHRAGM	2	NC, RD-B, CN-B CN, BK, RD, KN V-SUFFIX E-SUFFIX	10604-19 10604-59 10604-59 10604-23	GEOLAST TEFLON TEFLON SANTO
10	INNER DIAPHRAGM PLATE	2	ALL 1/4"	11105-25	PL. STEEL
11	DIAPHRAGM ROD (SHORT HALF)	1	ALL 1/4"	SEE ASSY	SS
12	SCREW (#6 X 1/2")	4	ALL 1/4"	12510-26	SS

PARTS LISTING FOR 1/4" PLASTIC MODEL					
ITM	DESCRIPTION	QTY PER	MODEL	PART #	MAT'L
13	SEAL RETAINER	2	ALL 1/4"	12710-60	POLYPRO
14	LIP SEAL	2	ALL 1/4"	12000-11	BUNA-N
15	INTERMEDIATE	1	ALL 1/4"	11508-60	POLYPRO
16	DIAPHRAGM ROD (LONG HALF)	1	ALL 1/4"	SEE ASSY	SS
17	O-RING, MANIFOLD TUBE	2	NC, RD-B, CN-B CN, BK, RD, KN E-SUFFIX V-SUFFIX	11928-11 11928-17 11928-23 11928-13	BUNA-N TEFLON SANTO VITON
18	RIGHT CHAMBER (Incl item 3)	1	NC, BK RD CN KN	10715-40 10715-42 10715-46 10715-56	POLYPRO NYLON C NYLON PVDF
19	RIGHT MANIFOLD	1	NC, BK RD CN KN	10513-40 10513-42 10513-46 10513-56	POLYPRO NYLON C NYLON PVDF
20	MUFFLER CAP	1	ALL 1/4"	13108-60	POLYPRO
21	O-RING CAPS	2	ALL 1/4"	11909-11	BUNA-N
22	SHUTTLE	1	ALL 1/4"	10411-00	SPECIAL
23	SPRING CLIP ASSEMBLY	1	ALL 1/4"	51000-00	VARIOUS
24	MUFFLER	1	ALL 1/4"	13003-00	SPECIAL
25	AIR INLET CAP	1	ALL 1/4"	13109-60	POLYPRO
26	FLAT WASHER	12	ALL 1/4"	12300-26	SS
27	CAP SCREW	6	ALL 1/4"	12517-26	SS
28	HEX NUT (1/4 X 20)	6	ALL 1/4"	12600-26	SS
29	WASHER, TENSION	6	ALL 1/4"	12305-26	SS
ASSEMBLIES					
	DIAPHRAGM ROD ASSEMBLY	1	ALL 1/4"	39000-00	SS

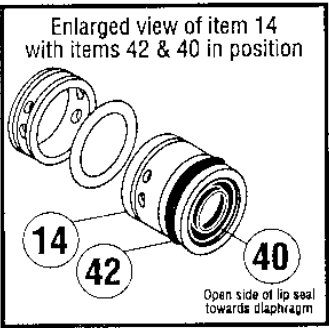
1/2" MODEL PLASTIC – SERIAL NUMBERS 35000 AND ABOVE

1/2" MODEL

Plastic
Serial Numbers 35000 and Above



Open side of lip seals facing each other.



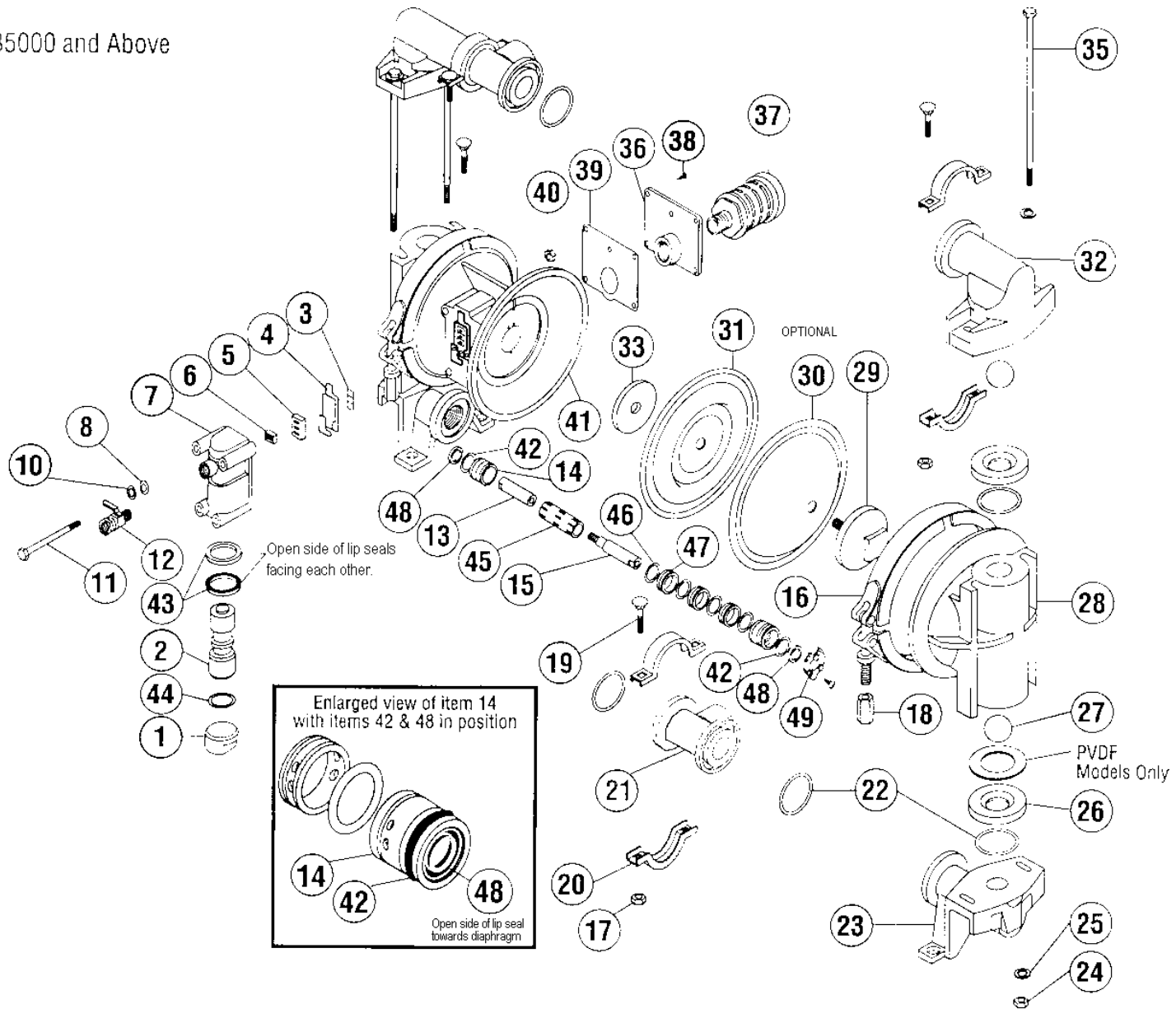
PARTS LISTING FOR 1/2" PLASTIC MODEL					
ITM	DESCRIPTION	QTY PER	MODEL	PART #	MAT'L
1	AIR VALVE END PLUG	1	NC, BK, KN CN, RD	11703-60 11703-43	POLYPRO NYLON
2	AIR VALVE SPOOL	1	ALL 1/2"	10407-31	ACETAL
3	GASKET (INNER)	1	ALL 1/2"	12103-11	BUNA
4	GASKET (OUTER)	1	ALL 1/2"	12109-11	BUNA
5	VALVE PLATE	1	ALL 1/2"	10403-00	
6	SHUTTLE	1	ALL 1/2"	10409-00	
7	AIR VALVE BODY	1	NC, BK, KN CN, RD	11608-60 11608-43	POLYPRO NYLON
8	LOCK NUT (1/4"-20)	1	ALL 1/2"	12600-38	SS
10	FLAT WASHER	46	ALL 1/2"	12300-26	SS
11	CAP SCREW (1/4 X 4-1/2)	4	ALL 1/2"	12513-26	SS
12	AIR FLOW CONTROL VALVE Optional BSP Version	1	NPT BSP	13400-30 13408-51	BRASS PVC
13	DIAPHRAGM ROD (SHORT HALF)	1	ALL 1/2"	ASSEMBLY	SS
14	END SPACER, PILOT SLEEVE	2	ALL 1/2"	10204-40	POLYPRO
15	DIAPHRAGM ROD (PILOT HALF)	1	ALL 1/2"	ASSEMBLY	SS
16	CLAMP SET (2 HALVES)	2	ALL 1/2"	12900-26	SS
17	HEX NUT (5/16-18)	4	ALL 1/2"	12601-26	SS
18	CARRIAGE BOLT (5/16 X 1-1/2")	4	ALL 1/2"	12509-26	SS
19	HEX NUT (1/4-20)	24	ALL 1/2"	12600-26	SS
20	CAP SCREW (1/4 X 1-3/4)	16	ALL 1/2"	12500-26	SS
21	MANIFOLD, SINGLE	2	NC, BK RD CN KN	10500-40 10500-42 10500-68 10500-56	POLYPRO NYLON ACETAL PVDF
21	MANIFOLD, DOUBLE	2	NC, BK RD CN KN	10501-40 10501-42 10501-46 10501-56	POLYPRO NYLON C NYLON PVDF
22	O-RING, MANIFOLD	4	NC, CN-B, RD-B CN, BK, RD, KN E-SUFFIX V-SUFFIX	11905-11 11905-17 11905-15 11905-13	BUNA-N TEFLON EPDM VITON
23	SUCTION ELBOW	2	NC, BK RD CN KN	10800-40 10800-42 10800-46 10800-56	POLYPRO NYLON C NYLON PVDF
24	SCREW (#6 X 1/2)	12	ALL 1/2"	12510-26	SS
25	LOCK WASHER	4	ALL 1/2"	12350-26	SS
26	VALVE SEAT	4	NC, BK RD CN KN OPT ALL MODELS	10900-40 10900-42 10900-46 10900-56 10900-26	POLYPRO NYLON C NYLON PVDF SS
27	BALL	4	NC, CN-B, RD-B CN, BK, RD, KN E-SUFFIX V-SUFFIX ALL MODELS	11000-11 11000-45 11000-23 11000-13 11000-26	GEOLAST TEFLON SANTO VITON SS

ITM	DESCRIPTION	QTY PER	MODEL	PART #	MAT'L
28	OUTER CHAMBER	2	NC, BK RD CN KN	10700-40 10700-42 10700-46 10700-56	POLYPRO NYLON C NYLON PVDF
29	OUTER DIAPHRAGM PLATE	2	NC, BK RD CN KN	11200-40 11200-42 11200-46 11200-56	POLYPRO NYLON C NYLON PVDF
30	TEFLON OVERLAY	2	CN, RD, BK, KN	11400-59	TEFLON
31	DIAPHRAGM	2	NC, CN-B, RD-B CN, RD, BK, KN E-SUFFIX V-SUFFIX	10600-19 10600-23 10600-23 10600-13	BUNA SANTO SANTO VITON
32	DISCHARGE ELBOW	2	NC, BK RD CN KN	11300-40 11300-42 11300-46 11300-56	POLYPRO NYLON C NYLON PVDF
33	INNER DIAPHRAGM PLATE	2	NC, BK RD CN KN	11100-40 11100-42 11100-46 11100-56	POLYPRO NYLON C NYLON PVDF
34	INTERMEDIATE	1	NC, BK, KN CN, RD	11516-60 11516-43	POLYPRO NYLON
35	CAP SCREW (1/4 X 6)	4	ALL 1/2"	12502-26	SS
36	MUFFLER PLATE	1	NC, BK, KN CN, RD	13100-60 13100-43	POLYPRO NYLON
37	MUFFLER	1	ALL 1/2"	13000-00	
38	O-RING, VALVE SEAT ALL SANTOPRENE PUMPS ALL VITON PUMPS	4	NC, CN-B, RD-B CN, BK, RD, KN E-SUFFIX V-SUFFIX	11904-11 11904-17 11904-15 11904-13	BUNA-N TEFLON EPDM VITON
39	GASKET (MUFFLER PLATE)	1	ALL 1/2"	12105-10	FIBER
40	LIP SEAL (DIAPHRAGM ROD)	2	ALL 1/2"	12000-11	BUNA
41	RETAINING PLATE	2	ALL 1/2"	12708-40	POLYPRO
42	O-RING (END SPACER)	2	ALL 1/2"	11923-11	BUNA
43	AIR VALVE LIP SEAL	1	ALL 1/2"	12003-11	BUNA
44	O-RING (VALVE END PLUG)	1	ALL 1/2"	11913-11	BUNA
45	PILOT SLEEVE	1	ALL 1/2"	10105-31	ACETAL
46	O-RING (PILOT SLEEVE)	4	ALL 1/2"	11920-16	URETHANE
47	INNER SPACER, PILOT	3	ALL 1/2"	10203-40	POLYPRO
ASSEMBLIES					
	DIAPHRAGM ROD ASSEMBLY (ITEMS 13 & 15)	1	ALL 1/2"	33000-00	SS
OPT	AIR VALVE ASSEMBLY (ITEMS 1-7, 43, 44)	1	NC, BK, KN-5 RD-5, SL-5	40000-60 40000-43	POLYPRO NYLON
OPT	PILOT SLEEVE ASSEMBLY (ITEMS 14, 40, 42, 45-47)	1	ALL 1/2"	41000-00	VARIOUS

1" MODEL PLASTIC- SERIAL NUMBERS 35000 AND ABOVE

1" MODEL

Plastic
Serial Numbers 35000 and Above



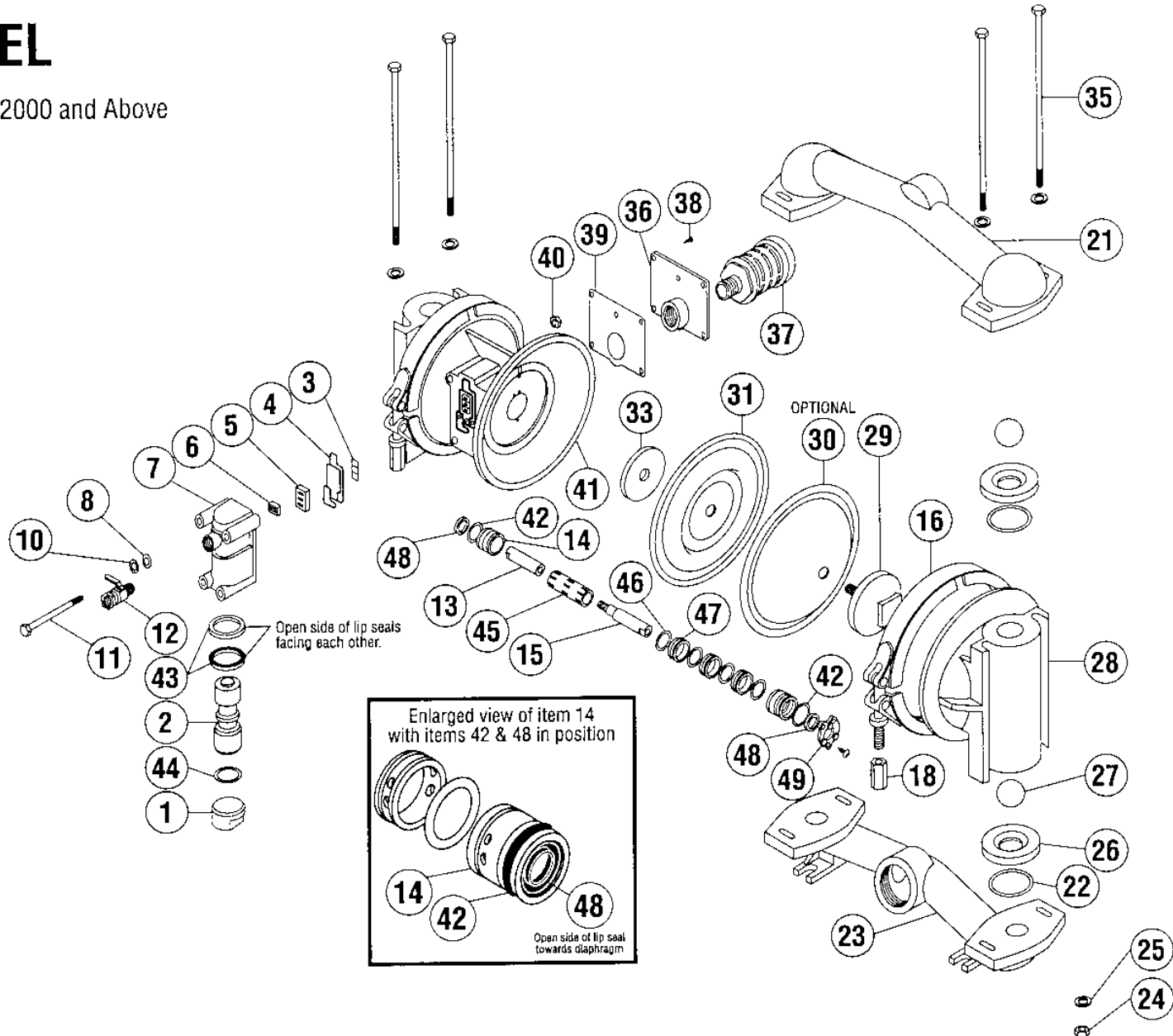
PARTS LISTING FOR 1" PLASTIC MODEL					
ITM	DESCRIPTION	QTY PER	MODEL	PART #	MAT'L
1	AIR VALVE END PLUG	1	NC, BK, KN-10 RD-10, SL-10	11703-60 11703-43	POLYPRO NYLON
2	AIR VALVE SPOOL	1	ALL 1"	10407-31	ACETAL
3	GASKET (INNER)	1	ALL 1"	12103-11	GEOLAST
4	GASKET (OUTER)	1	ALL 1"	12109-11	GEOLAST
5	VALVE PLATE	1	ALL 1"	10403-00	
6	SHUTTLE VALVE	1	ALL 1"	10409-00	
7	AIR VALVE BODY	1	NC, BK, KN-10 RD-10, SL-10	11608-60 11608-43	POLYPRO NYLON
8	FLAT WASHER	4	ALL 1"	12300-26	SS
10	LOCKWASHER (1/4)	4	ALL 1"	12350-26	SS
11	CAP SCREW (1/4 X 5)	4	ALL 1"	12512-26	SS
12	AIR FLOW CONTROL VALVE OPTIONAL BSP VERSION	1	ALL 1" BSP TO NPT	13400-30 13408-51	BRASS PVC
13	DIAPHRAGM ROD (SHORT HALF)		ALL 1"	ASSEMBLY	SS
14	END SPACER, PILOT SLEEVE	2	ALL 1"	10204-40	POLYPRO
15	DIAPHRAGM ROD (PILOT HALF)		ALL 1"	ASSEMBLY	SS
16	CLAMP SET (CHAMBER, 1 PIECE) (Incl. Item 18)	2	ALL 1"	12902-26	SS
17	HEX NUT (5/16-18)	12	ALL 1"	12601-26	SS
18	HEX NUT (3/8-16 X .625)	2	ALL 1"	12605-26	SS
19	CARRIAGE BOLT (5/16 X 1-1/2)	8	ALL 1"	12509-26	SS
20	CLAMP SET, MANIFOLD w/fasteners	4	ALL 1"	12903-26	SS
21	MANIFOLD, SINGLE, NPT	2	NC, BK RD KN	10506-57 10506-47 10506-56	POLYPRO NYLON PVDF
	MANIFOLD, SINGLE, BSP OPTIONAL	2	NC, BK RD KN	10509-57 10509-47 10509-56	POLYPRO NYLON PVDF
22	O-RING (VALVE SEATS & MANIFOLDS)	8	NC, RD-B BK, RD BK-E, RD-E BK-V, RD-V KN KN-E KN-V	11910-11 11910-17 11910-15 11910-13 11912-17 11912-15 11912-13	BUNA-N TEFLON EPDM VITON TEFLON EPDM VITON
23	SUCTION ELBOW	2	NC, BK RD KN	10801-57 10801-47 10801-56	POLYPRO NYLON PVDF
24	HEX NUT (3/8-16)	4	ALL 1"	12602-26	SS
25	FLAT WASHER (3/8)	8	ALL 1"	12303-26	SS
26	VALVE SEAT	4	NC, BK RD KN ALL 1"	10901-57 10901-47 10901-56 10901-26	POLYPRO NYLON PVDF SS

ITM	DESCRIPTION	QTY PER	MODEL	PART #	MAT'L
27	BALL	4	NC, RD-B BK, RD, KN BK-E, RD-E, KN-E BK-V, RD-V, KN-V HIGH VISCOSITY ALL MODELS	11002-11 11002-45 11002-23 11002-13 11002-22 11002-26	GEOLAST TEFLON SANTO VITON BUNA-N SS
28	OUTER CHAMBER	2	NC, BK RD KN	10702-57 10702-47 10702-56	POLYPRO NYLON PVDF
29	OUTER DIAPHRAGM PLATE	2	NC, BK RD KN-10	11204-57 11204-47 11204-56	POLYPRO NYLON PVDF
30	TEFLON OVERLAY	2	RD, BK, KN	11406-59	TEFLON
31	DIAPHRAGM	2	NC, RD-B RD, BK, KN RD-E, BK-E, KN-E RD-V, BK-V, KN-V	10605-19 10605-23 10605-23 10605-13	BUNA SANTO SANTO VITON
32	DISCHARGE ELBOW	2	NC, BK RD KN	11301-57 11301-47 11301-56	POLYPRO NYLON PVDF
33	INNER DIAPHRAGM PLATE	2	ALL 1"	11104-25	PS
35	CAP SCREW (3/8 X 9)	4	ALL 1"	12508-26	SS
36	MUFFLER PLATE	1	NC, BK, KN CN, RD	13102-60 13102-43	POLYPRO NYLON
37	MUFFLER	1	ALL 1"	13007-00	
38	SCREW (#6 X 1/2)	12	ALL 1"	12510-26	SS
39	GASKET (MUFFLER PLATE)	1	ALL 1"	12102-10	FIBER
40	HEX NUT (1/4-20)	4	ALL 1"	12600-26	SS
41	INTERMEDIATE	1	NC, BK, KN CN, RD	11517-60 11517-43	POLYPRO NYLON
42	O-RING (END SPACER)	2	ALL 1"	11923-11	BUNA
43	AIR VALVE LIP SEAL	2	ALL 1"	12003-11	BUNA
44	O-RING (VALVE END PLUG)	1	ALL 1"	11913-11	BUNA
45	PILOT SLEEVE	1	ALL 1"	10105-31	ACETAL
46	O-RING (PILOT SLEEVE)	4	ALL 1"	11920-16	URETHANE
47	SPACER, PILOT SLEEVE	3	ALL 1"	10203-40	POLYPRO
48	LIP SEAL, DIAPHRAGM ROD	2	ALL 1"	12000-11	BUNA-N
49	RETAINING PLATE	2	ALL 1"	12708-40	POLYPRO
ASSEMBLIES					
	AIR VALVE ASSEMBLY (ITEMS 1-7, 43, 44)	1	NC, BK, KN CN, RD	40000-60 40000-43	POLYPRO NYLON
	PILOT SLEEVE ASSEMBLY (ITEMS 14, 42, 45-48)	1	ALL 1"	41000-00	VARIOUS
	DIAPHRAGM ROD ASSEMBLY (ITEMS 13 & 15) AVAILABLE AS ASSEMBLY ONLY	1	ALL 1"	32000-00	SS

1" MODEL METALLIC SERIAL NUMBERS 62000 AND ABOVE

1" MODEL

Metallic
Serial Numbers 62000 and Above



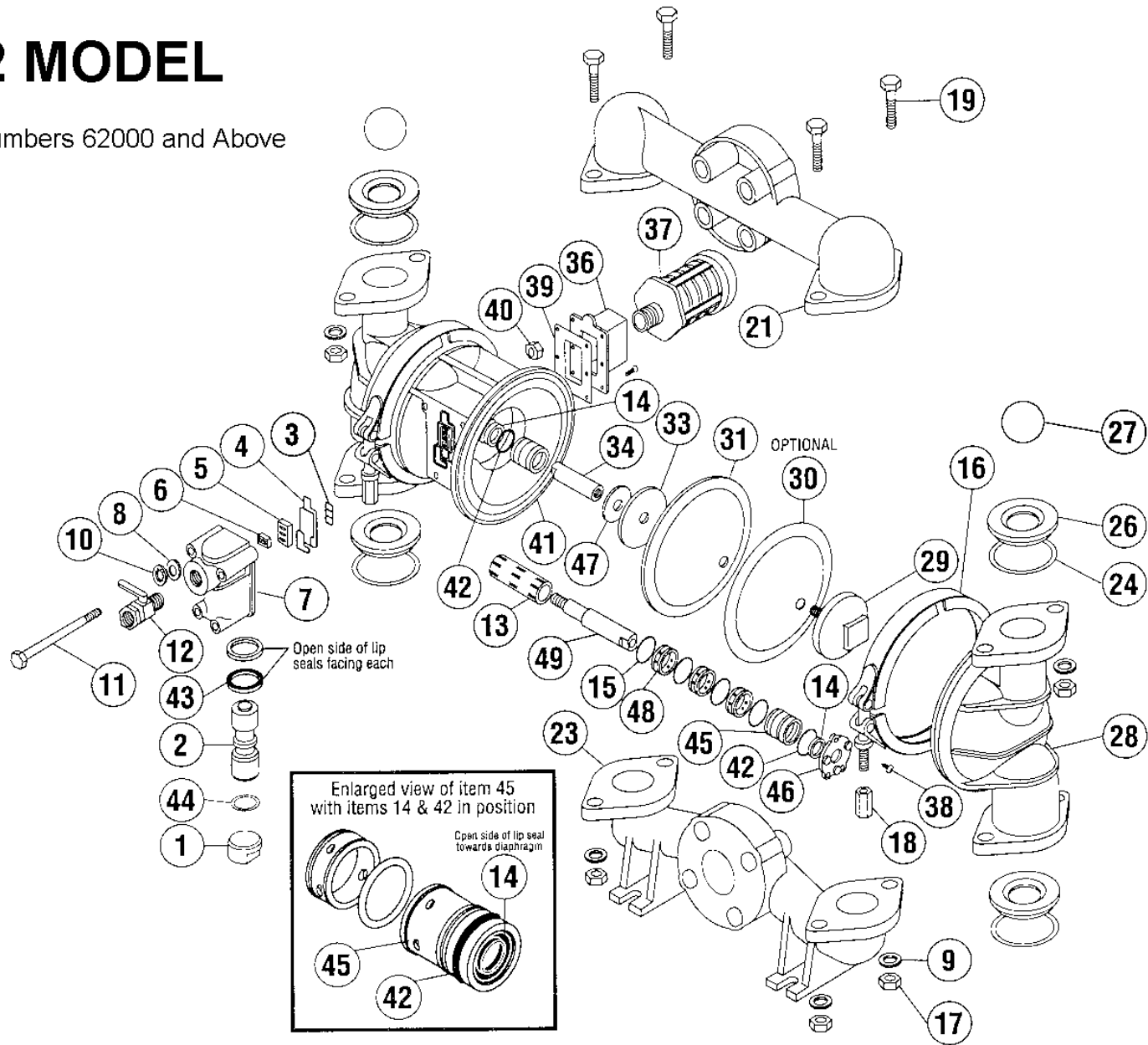
PARTS LISTING FOR 1" METALLIC MODEL					
ITM	DESCRIPTION	QTY PER	MODEL	PART #	MAT'L
1	AIR VALVE END PLUG	1	ALL 1" EXCEPT AL-T	11703-60 11703-43	POLYPRO NYLON
2	AIR VALVE SPOOL	1	ALL 1"	10407-31	ACETAL
3	GASKET (INNER)	1	ALL 1"	12103-11	BUNA
4	GASKET (OUTER)	1	ALL 1"	12109-11	BUNA
5	VALVE PLATE	1	ALL 1"	10403-00	SS
6	SHUTTLE VALVE	1	ALL 1"	10409-00	SPECIAL
7	AIR VALVE BODY	1	ALL 1" EXCEPT AL-T	11608-60 11608-43	POLYPRO NYLON
8	FLAT WASHER	4	ALL 1"	12300-26	SS
10	LOCKWASHER (1/4)	4	ALL 1"	12350-26	SS
11	CAP SCREW (1/4 X 5)	4	ALL 1"	12512-26	SS
12	AIR FLOW CONTROL VALVE OPTIONAL BSP VERSION	1	ALL 1" BSP TO NPT	13400-30 13408-51	BRASS PVC
13	DIAPHRAGM ROD (SHORT HALF)		ALL 1"	ASSEMBLY	SS
14	END SPACER, PILOT SLEEVE	2	ALL 1"	10204-40	POLYPRO
15	DIAPHRAGM ROD (PILOT HALF)		ALL 1"	ASSEMBLY	SS
16	CLAMP SET (CHAMBER, 1 PIECE) (Incl. Item 18)	2	ALL 1"	12902-26	SS
18	HEX NUT (3/8-16 X .625)	2	ALL 1"	12605-26	SS
21	MANIFOLD, ELBOW DISCH, NPT	1	AL PUMPS	10529-20	AL
	MANIFOLD, ELBOW DISCH, BSP OPTIONAL	OPT	ST PUMPS AL PUMPS ST PUMPS	10529-26 10530-20 10530-26	316 SS AL 316 SS
22	O-RING (VALVE SEATS & MANIFOLDS) KYNAR PUMPS ONLY ALL VITON PUMPS	8	AL, ST-B AL-T, ST AL-E, ST-E AL-V, ST-V	11910-11 11910-17 11912-15 11910-13	BUNA-N TEFLON EPDM VITON
23	MANIFOLD/ELBOW SUC, NPT	1	AL PUMPS	10526-20	AL
	MANIFOLD ELBOW SUC, BSP		ST PUMPS AL PUMPS ST PUMPS	10526-26 10527-20 10527-26	316 SS AL 316 SS
24	HEX NUT (3/8-16)	4	ALL 1"	12602-26	SS
25	FLAT WASHER (3/8)	8	BK-10, KN-10	12303-26	SS
26	VALVE SEAT	4	AL-10, AL-10B AL-10T ST PUMPS	10901-57 10901-47 10901-26	POLYPRO NYLON 316-SS

ITM	DESCRIPTION	QTY PER	MODEL	PART #	MAT'L
27	BALL	4	AL, ST-B AL-T, ST-T AL-E, ST-E AL-V, ST-V HIGH VISCOSITY ALL MODELS	11002-11 11002-45 11002-23 11002-13 11002-22 11002-26	GEOLAST TEFLON SANTO VITON BUNA-N SS
28	OUTER CHAMBER	2	AL PUMPS ST PUMPS	10709-20 10709-26	AL 316 SS
29	OUTER DIAPHRAGM PLATE	2	AL PUMPS ST PUMPS	11207-20 11207-26	AL 316 SS
30	TEFLON OVERLAY	2	AL-T, ST	11406-59	TEFLON
31	DIAPHRAGM	2	AL, ST-B AL-E, ST, ST-E AL-V, ST-V ALL VITON PUMP	10605-19 10605-23 10605-13	GEOLAST SANTO VITON
33	INNER DIAPHRAGM PLATE	2	ALL 1"	11104-25	PS
35	CAP SCREW (3/8 X 9)	4	ALL 1"	12508-26	SS
36	MUFFLER PLATE	1	ALL ST AL-10T	13102-60 13102-43	POLYPRO NYLON
37	MUFFLER	1	ALL 1"	13007-00	
38	SCREW (#6 X 1/2)	12	ALL 1"	12510-26	SS
39	GASKET (MUFFLER PLATE)	1	ALL 1"	12102-10	FIBER
40	HEX NUT (1/4-20)	4	ALL 1"	12600-26	SS
41	INTERMEDIATE	1	ALL 1" EXCEPT AL-T	11517-60 11517-43	POLYPRO NYLON
42	O-RING (END SPACER)	2	ALL 1"	11923-11	BUNA
43	AIR VALVE LIP SEAL	2	ALL 1"	12003-11	BUNA
44	O-RING (VALVE END PLUG)	1	ALL 1"	11913-11	BUNA
45	PILOT SLEEVE	1	ALL 1"	10105-31	ACETAL
46	O-RING (PILOT SLEEVE)	4	ALL 1"	11920-16	URETHANE
47	SPACER, PILOT SLEEVE	3	ALL 1"	10203-40	POLYPRO
48	LIP SEAL, DIAPHRAGM ROD	2	ALL 1"	12000-11	BUNA-N
49	RETAINING PLATE	2	ALL 1"	12708-40	POLYPRO
	ASSEMBLIES				
	AIR VALVE ASSEMBLY (ITEMS 1-7, 43, 44)	1	NC, BK, KN-10 RD-10, SL-10	40000-60 40000-43	POLYPRO NYLON
	PILOT SLEEVE ASSEMBLY (ITEMS 14, 42, 45-48)	1	ALL 1"	41000-00	VARIOUS
	DIAPHRAGM ROD ASSEMBLY (ITEMS 13 & 15) AVAILABLE AS ASSEMBLY ONLY	1	ALL 1"	32000-00	SS

1-1/2" MODEL METALLIC SERIAL NUMBERS 62000 AND ABOVE

1-1/2 MODEL

Metallic
Serial Numbers 62000 and Above



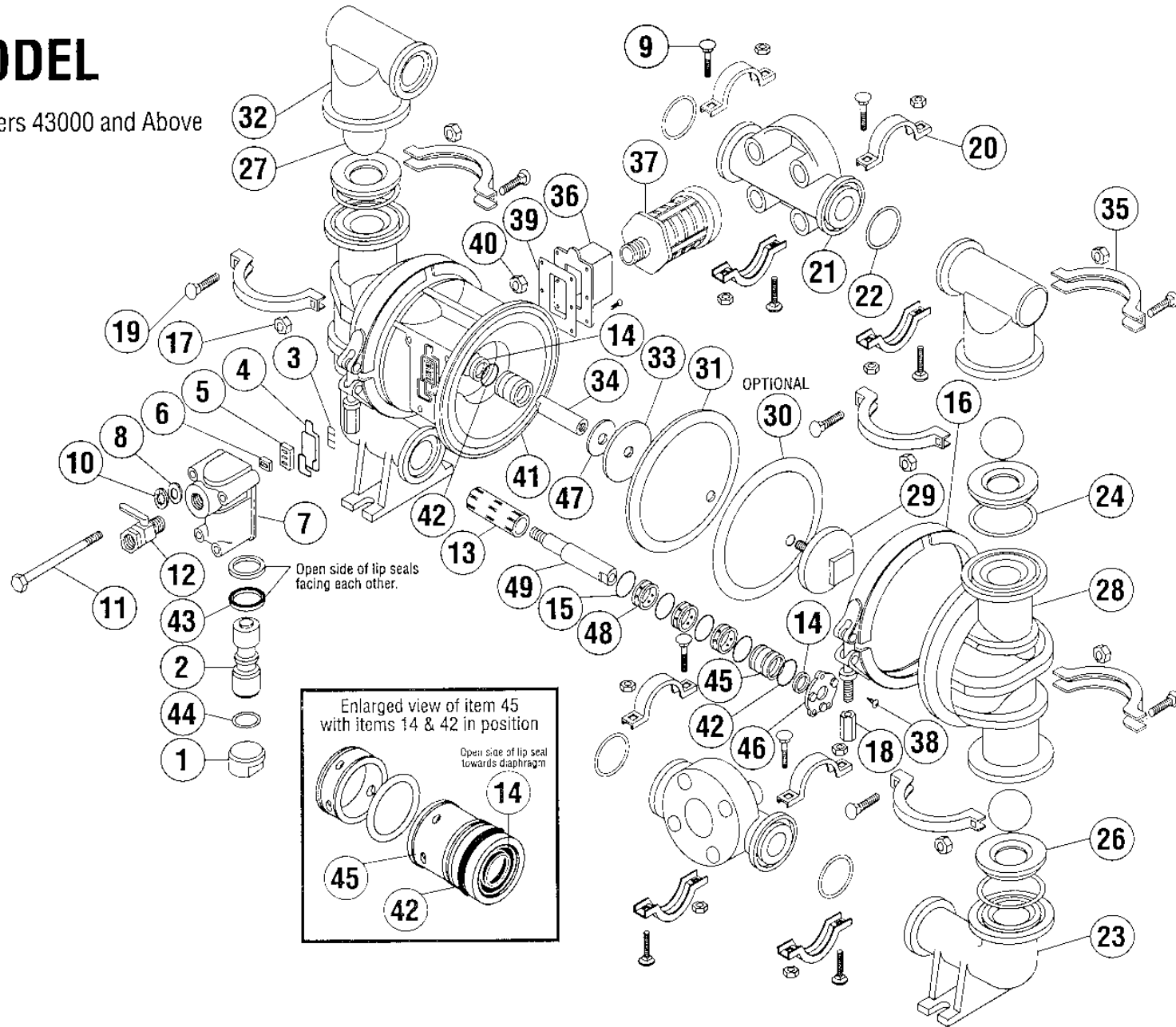
PARTS LISTING FOR 1-1/2" , METALLIC MODEL					
ITM	DESCRIPTION	QTY PER	MODEL	PART #	MAT'L
1	AIR VALVE END PLUG	1	ALL 1-1/2"	11703-60	POLYPRO
2	AIR VALVE SPOOL	1	ALL 1-1/2"	10408-31	ACETAL
3	GASKET (INNER)	1	ALL 1-1/2"	12106-11	BUNA
4	GASKET (OUTER)	1	ALL 1-1/2"	12110-11	BUNA
5	VALVE PLATE	1	ALL 1-1/2"	10410-26	SS
6	SHUTTLE VALVE	1	ALL 1-1/2"	10405-00	SPECIAL
7	AIR VALVE BODY	1	ALL 1-1/2"	11610-60	POLYPRO
8	FLAT WASHER	4	ALL 1-1/2"	12300-26	SS
9	CARRIAGE BOLT (5/16 X 1.5")	8	ALL 1-1/2"	12509-26	SS
10	LOCKWASHER (1/4)	4	ALL 1-1/2"	12350-26	SS
11	CAP SCREW (1/4 X 6)	4	ALL 1-1/2"	12515-26	SS
12	AIR FLOW CONTROL VALVE	1	ALL 1-1/2"	13401-51	PVC
13	PILOT SLEEVE	1	ALL 1-1/2"	10106-31	ACETAL
14	LIP SEAL, DIAPHRAGM ROD	2	ALL 1-1/2"	12002-11	BUNA-N
15	O-RING, PILOT SLEEVE SPACER	4	ALL 1-1/2"	11919-16	URETHANE
16	CLAMP SET, PUMPING CHAMBER	2	ALL 1-1/2"	12904-26	SS
17	HEX NUT (1/2-13)	8	ALL 1-1/2"	12604-26	SS
18	HEX NUT (3/8-16 X .625)	2	ALL 1-1/2"	12605-26	SS
19	CAP SCREW (1/2 X 2-1/2")	8	ALL 1-1/2"	12522-26	SS
20	CLAMP SET, MANIFOLD, W/FASTENERS	4	ALL 1-1/2"	12901-26	
21	MANIFOLD, ELBOW DISCH	1	AL PUMPS ST PUMPS	10522-20 10522-26	AL 316 SS
23	MANIFOLD/ELBOW SUCTION	1	AL PUMPS ST PUMPS	10516-20 10516-26	AL 316 SS
24	O-RING, ELBOW TO CHAMBER	4	AL, ST-B ST, AL-T AL-E, ST-E	11926-11 11926-17 11926-15	BUNA-N TEFLON EPDM
26	VALVE SEAT	4	AL AL-T ST ALL ALL	10902-40 10902-42 10902-26 10902-15 10902-19	POLYPRO NYLON 316-SS EPDM BUNA-N

ITM	DESCRIPTION	QTY PER	MODEL	PART #	MAT'L
27	BALL	4	AL, ST-B ST, AL-T AL-15E, ST-15E HIGH VISCOSITY ALL	11004-11 11004-45 11004-23 11004-22 11004-26	BUNA-N TEFLON SANTO BUNA-N SS
28	OUTER CHAMBER	2	AL PUMPS ST PUMPS	10711-20 10711-26	AL 316 SS
29	OUTER DIAPHRAGM PLATE	2	AL PUMPS ST PUMPS	11211-20 11211-26	AL 316 SS
30	TEFLON OVERLAY	2	AL-T, ST	11403-59	TEFLON
31	DIAPHRAGM	2	AL, ST-B AL-E, ST-E ST, AL-T	10603-19 10603-23 10607-36	GEOLAST SANTO SAN/TEF
33	INNER DIAPHRAGM PLATE	2	ALL 1-1/2"	11103-25	PS
34	DIAPHRAGM ROD (SHORT HALF)	1	ALL 1-1/2"	SEE ASSY	
36	MUFFLER PLATE	1	ALL 1-1/2"	13107-60	POLYPRO
37	MUFFLER	1	ALL 1-1/2"	13001-00	
38	SCREW (#6 X 1/2)	12	ALL 1-1/2"	12510-26	SS
39	GASKET (MUFFLER PLATE)	1	ALL 1-1/2"	12108-10	FIBER
40	HEX NUT (1/4-20)	4	ALL 1-1/2"	12600-26	SS
41	INTERMEDIATE	1	ALL 1-1/2"	11518-60	POLYPRO
42	O-RING (END SPACER)	2	ALL 1-1/2"	11919-11	BUNA
43	AIR VALVE LIP SEAL	2	ALL 1-1/2"	12003-11	BUNA
44	O-RING (VALVE END PLUG)	1	ALL 1-1/2"	11913-11	BUNA
45	END SPACER, PILOT	2	ALL 1-1/2"	10206-40	POLYPRO
46	RETAINING PLATE	2	ALL 1-1/2"	12709-40	POLYPRO
47	FLAT WASHER	2	ALL 1-1/2"	12302-25	SS
48	INNER SPACER, PILOT	3	ALL 1-1/2"	10205-40	POLYPRO
49	DIAPHRAGM ROD, PILOT HALF	1	ALL 1-1/2"	SEE ASSY	SS
ASSEMBLIES					
	AIR VALVE ASSEMBLY	1	NC, BK, KN-10	45000-60	VARIOUS
	PILOT SLEEVE ASSEMBLY (ITEMS 13, 14, 15, 42, 45-48)	1	ALL 1-1/2"	46000-00	VARIOUS
	DIAPHRAGM ROD ASSEMBLY (ITEMS 13 & 15) AVAILABLE AS ASSEMBLY ONLY	1	ALL 1-1/2"	35000-00	SS

2" MODEL PLASTIC – SERIAL NUMBERS 43000 AND ABOVE

2" MODEL

Plastic
Serial Numbers 43000 and Above



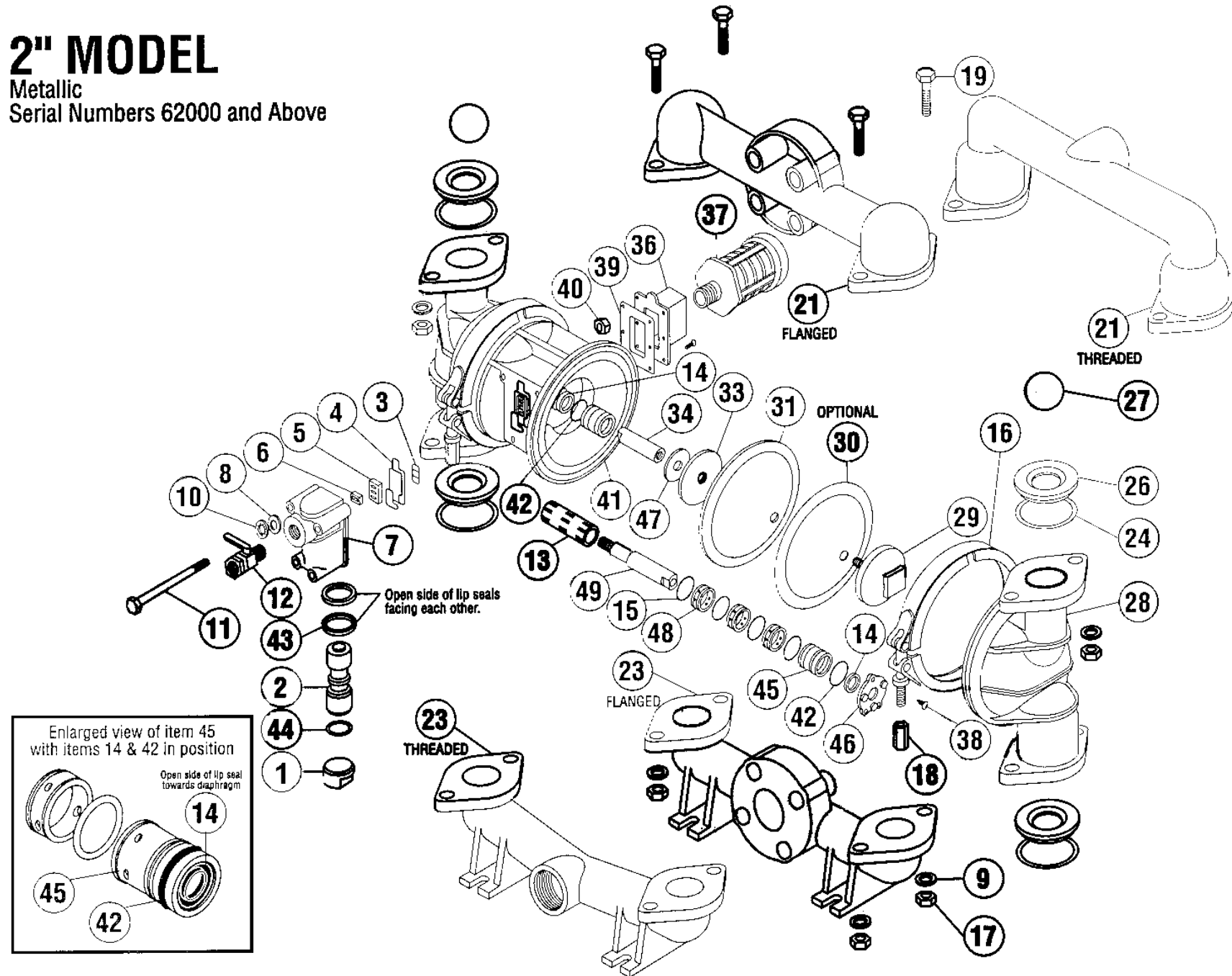
PARTS LISTING FOR 2" PLASTIC MODEL					
ITM	DESCRIPTION	QTY PER	MODEL	PART #	MAT'L
1	AIR VALVE END PLUG	1	NC, BK, KN-20 RD-20	11703-60 11703-43	POLYPRO NYLON
2	AIR VALVE SPOOL	1	ALL 2"	10408-31	ACETAL
3	GASKET (INNER)	1	ALL 2"	12106-11	BUNA
4	GASKET (OUTER)	1	ALL 2"	12110-11	BUNA
5	VALVE PLATE	1	ALL 2"	10410-26	SS
6	SHUTTLE VALVE	1	ALL 2"	10405-00	SPECIAL
7	AIR VALVE BODY	1	ALL 2"	11610-60	POLYPRO
8	FLAT WASHER	4	ALL 2"	12300-26	SS
9	CARRIAGE BOLT (5/16" X 1.5")	8	ALL	12509-26	SS
10	LOCKWASHER (1/4)	4	ALL 2"	12350-26	SS
11	CAP SCREW (1/4 X 6)	4	ALL 2"	12515-26	SS
12	AIR FLOW CONTROL VALVE	1	ALL 2"	13401-51	PVC
13	PILOT SLEEVE	1	ALL 2"	10106-31	ACETAL
14	LIP SEAL, DIAPHRAGM ROD	2	ALL 2"	12002-11	BUNA-N
15	O-RING, PILOT SLEEVE SPACER	4	ALL 2"	11919-16	URETHANE
16	CLAMP SET, CHAMBER	2	ALL 2"	12904-26	SS
17	HEX NUT (5/16-18)	16	ALL 2"	12601-26	SS
18	HEX NUT (3/8-16 X .625)	2	ALL 2"	12605-26	SS
19	CARRIAGE BOLT (5/16 X 2")	16	ALL 2"	12601-26	SS
20	CLAMP SET, 2 HALVES, MANIFOLD-ELBOW	4	ALL 2"	12901-26	SS
21	MANIFOLD	2	NC, BK RD KN	10507-57 10507-47 10507-56	POLYPRO NYLON PVDF
22	O-RING	4	NC BK, RD KN KN-E BK-E, RD-E	11917-11 11917-17 11922-17 11922-15 19117-15	BUNA-N TEFLON TEFLON EPDM EPDM
23	SUCTION ELBOW	2	NC-20, BK-20 RD-20 KN-20	10802-57 10802-47 10802-56	POLYPRO NYLON PVDF
24	O-RING, VALVE SEAT	4 4	NC BK, RD KN KN-E BK-E, RD-E	11926-11 11926-17 11917-17 11917-15 11926-15	BUNA-N TEFLON TEFLON EPDM EPDM
26	VALVE SEAT	4 OPT OPT OPT	NC, BK RD KN ALL ALL ALL	10902-40 10902-42 10902-56 10902-15 10902-19 10902-26	POLYPRO NYLON PVDF EPDM BUNA-N SS

ITM	DESCRIPTION	QTY PER	MODEL	PART #	MAT'L
27	BALL (BUNA-N)	4	NC BK, RD, KN BK-E, RD-E, KN-E HIGH VISCOSITY ALL	11004-11 11004-45 11004-23 11004-22 11004-26	BUNA-N TEFLON SANTO BUNA-N SS
28	BUNA HEAVIER WEIGHTED OUTER CHAMBER	2	NC, BK RD KN	10703-57 10703-47 10703-56	POLYPRO NYLON PVDF
29	OUTER DIAPHRAGM PLATE	2	NC, BK RD KN	11203-40 11203-42 11203-56	POLYPRO NYLON PVDF
30	TEFLON OVERLAY	2	BK, RD, KN	11403-59	TEFLON
31	DIAPHRAGM		NC-20 BK-E, RD-E, KN-E BK, RD, KN	10603-19 10603-23 10607-36	GEOLAST SANTO SAN/TEF
32	DISCHARGE ELBOW	2	NC-20, BK-20 RD-20 KN-20	11302-57 11302-47 11302-56	POLYPRO NYLON PVDF
33	INNER DIAPHRAGM PLATE	2	ALL 2"	11103-25	PS
34	DIAPHRAGM ROD (SHORT HALF)	1	ALL 2"	ASSEMBLY	SS
35	CLAMP SET ELBOW (W/FASTENERS)	4	NC, BK, RD KN	12900-26	SS
36	MUFFLER PLATE	1	ALL 2"	13107-60	POLYPRO
37	MUFFLER	1	ALL 2"	13001-00	
38	SCREW (#6 X 1/2)	12	ALL 2"	12510-26	SS
39	GASKET (MUFFLER PLATE)	1	ALL 2"	12108-10	FIBER
40	HEX NUT (1/4-20)	4	ALL 2"	12600-26	SS
41	INTERMEDIATE	1	ALL 2"	11518-60	POLYPRO
42	O-RING (END SPACER)	2	ALL 2"	11919-11	BUNA
43	AIR VALVE LIP SEAL	2	ALL 2"	12003-11	BUNA
44	O-RING (VALVE END PLUG)	1	ALL 2"	11913-11	BUNA
45	END SPACER, PILOT	2	ALL 2"	10206-40	POLYPRO
46	RETAINING PLATE	2	ALL 2"	12709-40	POLYPRO
47	FLAT WASHER	2	ALL 2"	12302-25	PS
48	INNER SPACER, PILOT	3	ALL 2"	10205-40	POLYPRO
49	DIAPHRAGM ROD, PILOT HALF	1	ALL 2"	ASSEMBLY	PS
ASSEMBLIES					
	AIR VALVE ASSEMBLY (ITEMS 1-8, 43, 44)	1	NC, BK, KN-10 RD-10, SL-10	45000-60 45000-43	POLYPRO NYLON
	PILOT SLEEVE ASSEMBLY (ITEMS 13-15, 42, 45-48)	1	ALL 2"	46000-00	VARIOUS
	DIAPHRAGM ROD ASSEMBLY (ITEMS 34, 49) AVAILABLE AS ASSEMBLY ONLY	1	ALL 2"	35000-00	SS

2" MODEL METALLIC – SERIAL NUMBERS 62000 AND ABOVE

2" MODEL

Metallic
Serial Numbers 62000 and Above



PARTS LISTING FOR 2" METALLIC MODEL

ITM	DESCRIPTION	QTY PER	MODEL	PART #	MAT'L
1	AIR VALVE END PLUG	1	ALL 2"	11703-60	POLYPRO
2	AIR VALVE SPOOL	1	ALL 2"	10408-31	ACETAL
3	GASKET (INNER)	1	ALL 2"	12106-11	GEOLAST
4	GASKET (OUTER)	1	ALL 2"	12110-11	GEOLAST
5	VALVE PLATE	1	ALL 2"	10410-26	SS
6	SHUTTLE VALVE	1	ALL 2"	10405-00	SPECIAL
7	AIR VALVE BODY	1	ALL 2"	11610-60	POLYPRO
8	FLAT WASHER	4	ALL 2"	12300-26	SS
9	CARRIAGE BOLT (5/16" X 1.5")	8	ALL 2"	12509-26	SS
10	LOCKWASHER (1/4)	4	ALL 2"	12350-26	SS
11	CAP SCREW (1/4 X 6)	4	ALL 2"	12515-26	SS
12	AIR FLOW CONTROL VALVE	1	ALL 2"	13401-51	PVC
13	PILOT SLEEVE	1	ALL 2"	10106-31	ACETAL
14	LIP SEAL, DIAPHRAGM ROD	2	ALL 2"	12002-11	BUNA-N
15	O-RING, PILOT SLEEVE SPACER	4	ALL 2"	11919-16	URETHANE
16	CLAMP SET, PUMPING CHAMBER	2	ALL 2"	12904-26	SS
17	HEX NUT (1/2-13)	8	ALL 2"	12604-26	SS
18	HEX NUT (3/8-16 X .625)	2	ALL 2"	12605-26	SS
19	BOLT (1/2 X 2-1/2)	8	ALL 2"	12522-26	SS
20	CLAMP SET, MANIFOLD W/FASTENERS	4	ALL 2"	12901-26	SS
21	MANIFOLD, DISCH, FLANGED	1	AL PUMPS	10524-20	AL
	MANIFOLD, DISCH, THREADED		AL-P28	10539-20	
	MANIFOLD, DISCH, FLANGED		ST PUMPS	10524-26	316 SS
23	MANIFOLD/SUCTION, FLANGED	1	AL PUMPS	10518-20	AL
	MANIFOLD/SUCTION, THREADED		AL-P28	10536-20	AL
	MANIFOLD/SUCTION, FLANGED		ST	10518-26	316 SS
24	O-RING, VALVE SEAT	4	AL, ST-B	11926-11	BUNA-N
			ST, AL-T	11926-17	TEFLON
			AL-E, ST-E	11926-15	EPDM
26	VALVE SEAT	4	AL	10902-40	POLYPRO
			AL-T	10902-42	NYLON
			ST PUMPS	10902-26	316 SS
		OPT	ALL	10902-15	EPDM
		OPT	ALL	10902-19	BUNA-N

ITM	DESCRIPTION	QTY PER	MODEL	PART #	MAT'L
27	BALL (BUNA-N)	4	AL, ST-B	11004-11	BUNA-N
			AL-T, ST	11004-45	TEFLON
			AL-E, ST-E	11004-23	SANTO
			HIGH VISCOSITY	11004-22	BUNA-N
		OPT	ALL	11004-26	SS
28	OUTER CHAMBER	2	AL PUMPS	10713-20	AL
			ST PUMPS	10713-26	316 SS
29	OUTER DIAPHRAGM PLATE	2	AL PUMPS	11211-20	AL
			ST PUMPS	11211-26	316 SS
30	TEFLON OVERLAY	2	ST, AL-T	11403-59	TEFLON
31	DIAPHRAGM	2	AL, ST-B	10603-19	GEOLAST
			AL-E, ST-E	10603-23	SANTO
		OPT	AL-T, ST	10607-36	SAN/TEF
33	INNER DIAPHRAGM PLATE	2	ALL 2"	11103-25	PS
34	DIAPHRAGM ROD (SHORT HALF)	1	ALL 2"	ASSEMBLY	SS
36	MUFFLER PLATE	1	ALL 2"	13107-60	POLYPRO
37	MUFFLER	1	ALL 2"	13001-00	
38	SCREW (#6 X 1/2)	12	ALL 2"	12510-26	SS
39	GASKET (MUFFLER PLATE)	1	ALL 2"	12108-10	FIBER
40	HEX NUT (1/4-20)	4	ALL 2"	12600-26	SS
41	INTERMEDIATE	1	ALL 2"	11518-60	POLYPRO
42	O-RING (END SPACER)	2	ALL 2"	11919-11	BUNA-N
43	AIR VALVE LIP SEAL	2	ALL 2"	12003-11	BUNA-N
44	O-RING (VALVE END PLUG)	1	ALL 2"	11913-11	BUNA-N
45	END SPACER, PILOT	2	ALL 2"	10206-40	POLYPRO
46	RETAINING PLATE	2	ALL 2"	12709-40	POLYPRO
47	FLAT WASHER	2	ALL 2"	12302-25	PS
48	INNER SPACER, PILOT	3	ALL 2"	10205-40	POLYPRO
49	DIAPHRAGM ROD, PILOT HALF	1	ALL 2"	ASSEMBLY	PS
	ASSEMBLIES				
	AIR VALVE ASSEMBLY (ITEMS 1-7, 43, 44)	1	ALL 2" EXCEPT	45000-60	POLYPRO
	PILOT SLEEVE ASSEMBLY (ITEMS 13-15, 42, 45-48)	1	ALL 2"	46000-00	VARIOUS
	DIAPHRAGM ROD ASSEMBLY (ITEMS 34, 49) AVAILABLE AS ASSEMBLY ONLY	1	ALL 2"	35000-00	SS

GASBOY/MFR. MODEL CROSS-REFERENCE

Gasboy Model	Gasboy P/N	Mfr. Model	Description
Drum Pumps, Non-Metallic, 1/4"			
GPBD-025	098152	NCD-025	Polypropylene, Buna-N, 1/4"
GPTD-025	098153	BKD-025	Polypropylene, Teflon, 1/4"
GNTD-025	098154	RDD-025	Nylon/Teflon, 1/4"
Air Diaphragm, Non-Metallic, 1/4"			
GPB-025	098157	NC-025	Polypropylene, Buna-N, 1/4"
GPT-025	098158	BK-025	Polypropylene, Teflon, 1/4"
GNT-025	098159	RD-025	Nylon/Teflon, 1/4"
GCT-025S	098162	RD-025C	PVDF Kynar/Teflon, 1/4"
GCB025S	098163	RD-025BC	Conductive Nylon/Buna
Drum Pumps, Non-Metallic, 1/2"			
GPBD-5	098040	NCD-5	Polypropylene, Buna-N, 1/2"
GPTD-5	098060	BKD-5	Polypropylene, Teflon, 1/2"
GNTD-5	098067	RDD-5	Nylon/Teflon, 1/2"
Air Diaphragm, Non-Metallic, 1/2"			
GPB-5	098007	NC-5	Polypropylene, Buna-N, 1/2"
GPT-5	098062	BK-5	Polypropylene, Teflon, 1/2"
GNT-5	098019	RD-5	Nylon, Teflon, 1/2"
GKT-5	098013	KN-5	PVDF Kynar, Teflon, 1/2"
GKTD-5	098092	KND-5	PVDF Kynar, Teflon, 1/2", Drum
GCT-5S	098098	RD-5C	Conductive Nylon, Teflon, 1/2"
Drum Pumps, Non-Metallic, 1"			
GPBD-10	098093	NCD-10	Polypropylene, Buna-N, 1", Drum
GPTD-10	098061	BKD-10	Polypropylene, Teflon, 1", Drum
GNTD-10	098094	RDD-10	Nylon, Teflon, 1", Drum
Air Diaphragm, Non-Metallic, 1"			
GPB-10	098012	NC-10	Polypropylene, Buna-N, 1"
GPT-10	098063	BK-10	Polypropylene, Teflon, 1"
GNT-10	098008	RD-10	Nylon, Teflon, 1"
GKT-10	098070	KN-10	PVDF Kynar, Teflon, 1"
Air Diaphragm, Metallic, 1"			
GAL-10	098164	AL-10	Aluminum/Buna
GAL-10T	098165	AL-10T	Aluminum/Teflon
GAL-10E	098166	AL-10E	Aluminum/Santoprene
GAL-10V	098167	AL-10V	Aluminum/Viton
GST-10	098168	ST-10	316 Stainless Steel/Teflon
GST-10E	098169	ST-10E	316 Stainless Steel/Santoprene
GST-10B	098170	ST-10B	316 Stainless Steel/Buna
GST-10V	098171	ST-10V	316 Stainless Steel/Viton
Air Diaphragm, Metallic, 1-1/2"			
GAL-15	098172	AL-15	Aluminum/Buna
GAL-15T	098173	AL-15T	Aluminum/Teflon
GAL-15E	098174	AL-15E	Aluminum/Santoprene

GST-15	098175	ST-15	316 Stainless Steel/Teflon
GST-15E	098176	ST-15E	316 Stainless Steel/Santoprene
GST-15B	098177	ST-15B	316 Stainless Steel/Buna
Air Diaphragm, Non-Metallic, 2"			
GPB-20	098068	NC-20	Polypropylene, Buna-N, 2"
GPT-20	098083	BK-20	Polypropylene, Teflon, 2"
GNT-20	098065	RD-20	Nylon, Teflon, 2"
GKT-20	098121	KN-20	PVDF Kynar, Teflon, 2"
GNB-20	098122	RD-20B	Nylon, Buna-N, 2"
Air Diaphragm, Metallic, 2"			
GAL-20	098178	AL-20	Aluminum/Buna
GAL-20T	098179	AL-20T	Aluminum/Teflon
GAL-20E	098180	AL-20E	Aluminum/Santoprene
GST-20	098181	ST-20	316 Stainless Steel/Teflon
GST-20E	098182	ST-20E	316 Stainless Steel/Santoprene
GST-20B	098183	ST-20B	316 Stainless Steel/Buna
Drum Pumps are supplied with a Suction Tube and Bung Adaptor			
ST-025	098184	52000-40	1/4" Adaptor Kit, Polypro
NST-025	098185	52000-42	1/4" Adaptor Kit, Nylon
KST-025	098186	52000-56	1/4" Adaptor Kit, PVDF
ST-50	098088	13800-40	Suction Tube, 1/2"
KST-50	098096	13800-56	Kynar Sunction Tube, 1/2"
BA-50	098087	13700-00	Bung Adaptor, 1/2"
ST-100	098016	13801-40	Suction Tube, 1"
KST-100	098097	13801-56	Kynar Sunction Tube, 1"
BA-100	098017	13701-00	Bung Adaptor, 1"

MFR. – G/T PARTS LIST CROSSREFERENCE

MFR. #	G/T #	DESCRIPTION	2”M	2”P	1.5”M	1”M	1”P	1/2”P	1/4”P
10105-31	P90005	Pilot Sleeve-Acetal				X	X	X	
10106-31	P90006	Pilot Sleeve-Acetal	X	X	X				
10203-40	P90009	Inner Spacer				X	X	X	
10204-40	P90010	End Spacer				X	X	X	
10205-40	P90011	Inner Spacer	X	X	X				
10206-40	P90012	End Spacer, Polypro	X	X	X				
10403-00	P90018	Valve Plate				X	X	X	
10405-00	P90020	Shuttle Valve-2"	X	X	X				
10407-31	P90022	Air Valve Spool Acetal				X	X	X	
10408-31	P90023	Air Valve Spool Acetal	X	X	X				
10409-00	P90024	Shuttle Valve				X	X	X	
10410-26	P90612	Valve Plate, SS	X	X	X				
10411-00	P90416	Shuttle							X
10500-40	P90026	Single Manifold-Polypro						X	
10500-42	P90027	Single Manifold-Nylon						X	
10500-56	P90030	Single Manifold-Kynar						X	
10500-68	P90031	Single Manifold-Acetal						X	
10501-40	P90032	Double Manifold-Polypro						X	
10501-42	P90033	Double Manifold-Nylon						X	
10501-46	P90034	Double Manifold-Cond						X	
10501-56	P90036	Double Manifold-Kynar						X	
10503-40	P90422	Manifold, Left, PP							X
10503-42	P90423	Manifold, Left, NN							X
10503-46	P90424	Manifold, Left, NC							X
10503-56	P90425	Manifold, Left, PVDF							X
10506-47	P90038	Manifold-Nylon (RD-10)					X		
10506-56	P90039	Manifold-Kynar (KN-10)					X		
10506-57	P90040	Manifold-Polypro					X		
10507-47	P90043	Manifold-Nylon		X					
10507-56	P90044	Manifold-Kynar		X					
10507-57	P90045	Manifold-Polypro		X					
10509-47	P90438	Manifold, NN					X		
10509-56	P90440	Manifold, PVDF					X		
10509-57	P90437	Manifold, PP					X		
10513-40	P90446	Manifold, Right, PP							X

MFR. #	G/T #	DESCRIPTION	2”M	2”P	1.5”M	1”M	1”P	1/2”P	1/4”P
10513-42	P90447	Manifold, Right, NN							X
10513-46	P90448	Manifold, Right, NC							X
10513-56	P90450	Manifold, Right, PVDF							X
10516-20	P90451	Mani/Elbow Suction AL			X				
10516-26	P90452	Mani/Elbow Suction SS			X				
10518-20	P90453	Mani/Elbow Suction AL	X						
10518-26	P90454	Mani/Elbow Suction SS	X						
10522-20	P90455	Mani/Elbow-Disch AL			X				
10522-26	P90456	Mani/Elbow-Disch SS			X				
10524-20	P90457	Mani/Elbow-Disch AL	X						
10524-26	P90458	Mani/Elbow-Disch SS	X						
10526-20	P90459	Mani/Elbow Suction AL				X			
10526-26	P90460	Mani/Elbow Suction SS				X			
10527-20	P90461	Mani/Elbow Suction AL				X			
10527-26	P90462	Mani/Elbow Suction SS				X			
10529-20	P90463	Mani/Elbow-Disch AL				X			
10529-26	P90464	Mani/Elbow-Disch SS				X			
10530-20	P90465	Mani/Elbow-Disch AL				X			
10530-26	P90466	Mani/Elbow-Disch SS				X			
10536-20	P90613	Mani/Suction, Threaded, Al	X						
10539-20	P90614	Mani/Discharge, Threaded, Al	X						
10600-13	P90046	Diaphragm-Viton						X	
10600-19	P90048	Diaphragm-Buna						X	
10600-23	P90049	Diaphragm-Santoprene						X	
10603-19	P90055	Diaphragm-Buna (NC-20)	X	X	X				
10603-23	P90056	Diaphragm-Santoprene	X	X	X				
10604-19	P90467	Diaphragm, Buna							X
10604-23	P90468	Diaphragm, Santoprene							X
10604-59	P90469	Diaphragm, Teflon							X
10605-13	P90470	Diaphragm, Viton				X	X		
10605-19	P90397	Diaphragm, Buna				X	X		
10605-23	P90398	Diaphragm, Santoprene				X	X		
10606-13	P90615	O-Ring, Diaphragm, Viton							X
10606-23	P90471	O-Ring, Santoprene							X
10607-36	P90616	Diaphragm, Santo/Teflon	X	X	X				
10700-40	P90057	Outer Chamber-Polypro						X	
10700-42	P90058	Outer Chamber-Nylon						X	

MFR. #	G/T #	DESCRIPTION	2"M	2"P	1.5"M	1"M	1"P	1/2"P	1/4"P
10700-46	P90059	Outer Chamber-Cond						X	
10700-56	P90061	Outer Chamber-Kynar						X	
10702-47	P90063	Outer Chamber-Nylon					X		
10702-56	P90064	Outer Chamber-Kynar					X		
10702-57	P90065	Outer Chamber-Polypro					X		
10703-47	P90068	Outer Chamber-Nylon		X					
10703-56	P90069	Outer Chamber-Kynar		X					
10703-57	P90070	Outer Chamber-Polypro		X					
10709-20	P90472	Outer Chamber, AL				X			
10709-26	P90473	Outer Chamber, SS				X			
10711-20	P90474	Outer Chamber, AL			X				
10711-26	P90475	Outer Chamber, SS			X				
10713-20	P90476	Outer Chamber, AL	X						
10713-26	P90477	Outer Chamber, SS	X						
10714-40	P90478	Left Chamber, PP							X
10714-42	P90479	Left Chamber, NN							X
10714-46	P90480	Left Chamber, NC							X
10714-56	P90483	Left Chamber, PVDF							X
10715-40	P90484	Right Chamber, PP							X
10715-42	P90485	Right Chamber, NN							X
10715-46	P90486	Right Chamber, NC							X
10715-56	P90489	Right Chamber, PVDF							X
10800-40	P90071	Suction Elbow						X	
10800-42	P90072	Suction Elbow-Nylon						X	
10800-46	P90073	Suction Elbow-Cond						X	
10800-56	P90075	Suction Elbow-Kynar						X	
10801-47	P90077	Suction Elbow-Nylon					X		
10801-56	P90078	Suction Elbow-Kynar					X		
10801-57	P90079	Suction Elbow-Polypro					X		
10802-47	P90082	Suction Elbow-Nylon		X					
10802-56	P90083	Suction Elbow-Kynar		X					
10802-57	P90084	Suction Elbow-Polypro		X					
10900-26	P90085	Valve Seat-SS						X	
10900-40	P90086	Valve Seat-Polypro						X	
10900-42	P90087	Valve Seat-Nylon						X	
10900-46	P90496	Valve Seat-CN						X	
10900-56	P90088	Valve Seat-Kynar						X	

MFR. #	G/T #	DESCRIPTION	2"M	2"P	1.5"M	1"M	1"P	1/2"P	1/4"P
10901-26	P90090	Valve Seat-SS				X	X		
10901-47	P90091	Valve Seat-Nylon				X	X		
10901-56	P90498	Valve Seat-KR					X		
10901-57	P90093	Valve Seat-Kynar				X	X		
10902-15	P90617	Valve Seat, EPDM	X	X	X				
10902-19	P90618	Valve Seat, Buna-N	X	X	X				
10902-26	P90096	Valve Seat-SS (2")	X		X				
10902-40	P90619	Valve Seat, Polypro	X	X	X				
10902-42	P90620	Valve Seat, Nylon	X	X	X				
10902-56	P90099	Valve Seat-Kynar		X					
11000-11	P90100	Ball-Buna (1/2") Use P90102.						X	
11000-13	P90101	Ball-Viton (1/2")						X	
11000-23	P90103	Ball-Santoprene						X	
11000-26	P90499	Ball-SS						X	
11000-45	P90104	Ball-Teflon						X	
11002-11	P90621	Ball, Geolast				X	X		
11002-13	P90105	Ball-Viton (1")				X	X		
11002-22	P90108	Ball-Buna (Heavy)				X	X		
11002-23	P90500	Ball-Santoprene				X	X		
11002-26	P90622	Ball, SS				X	X		
11002-45	P90109	Ball-Teflon				X	X		
11004-11	P90623	Ball, Buna-N	X	X	X				
11004-22	P90112	Ball-Buna (Heavy)	X	X	X				
11004-23	P90501	Ball-Santoprene	X	X	X				
11004-26	P90624	Ball, SS	X	X	X				
11004-45	P90113	Ball-Teflon	X	X	X				
11006-59	P90502	Valve Disc Teflon							X
11100-40	P90114	Inner Diaphragm Plate						X	
11100-42	P90115	Inner Diaphragm Plate						X	
11100-46	P90116	Inner Diaphragm Plate						X	
11100-56	P90118	Inner Diaphragm Plate						X	
11103-25	P90122	Inner Diaphragm Plate	X	X	X				
11104-25	P90123	Inner Diaphragm Plate				X	X		
11105-25	P90504	Inner Diaphragm Plate PS							X
11200-40	P90124	Outer Diaphragm Plate						X	
11200-42	P90125	Outer Diaphragm Plate						X	
11200-46	P90126	Outer Diaphragm Plate						X	

MFR. #	G/T #	DESCRIPTION	2"M	2"P	1.5"M	1"M	1"P	1/2"P	1/4"P
11200-56	P90128	Outer Diaphragm Plate						X	
11203-40	P90134	Outer Diaphragm Plate, Polypro		X					
11203-42	P90626	Outer Diaphragm Plate, Nylon		X					
11203-56	P90135	Outer Diaphragm Plate		X					
11204-47	P90137	Outer Diaphragm Plate					X		
11204-56	P90138	Outer Diaphragm Plate					X		
11204-57	P90139	Outer Diaphragm Plate					X		
11205-40	P90505	Outer Diaphragm Plate, PP							X
11205-42	P90506	Outer Diaphragm Plate, NN							X
11205-46	P90507	Outer Diaphragm Plate, CN							X
11205-56	P90509	Outer Diaphragm Plate, KR							X
11207-20	P90511	Outer Diaphragm Plate, AL				X			
11207-26	P90512	Outer Diaphragm Plate, SS				X			
11211-20	P90513	Outer Diaphragm Plate, AL	X		X				
11211-26	P90514	Outer Diaphragm Plate, SS	X		X				
11300-40	P90142	Elbow-Discharge Polypro						X	
11300-42	P90143	Elbow-Discharge Nylon						X	
11300-46	P90144	Elbow-Discharge Cond Nylon						X	
11300-56	P90146	Elbow-Discharge Kynar						X	
11301-47	P90148	Elbow-Discharge Nylon					X		
11301-56	P90149	Elbow-Discharge Kynar					X		
11301-57	P90150	Elbow-Discharge Polypro					X		
11302-47	P90153	Elbow-Discharge Nylon		X					
11302-56	P90154	Elbow-Discharge Kynar		X					
11302-57	P90155	Elbow-Discharge Polypro		X					
11400-59	P90156	Overlay-Teflon (1/2")						X	
11403-59	P90158	Overlay-Teflon (2")	X	X	X				
11406-59	P90399	Overlay, Teflon				X	X		
11508-60	P90515	Intermediate PP							X
11516-43	P90180	Intermediate-Nylon						X	
11516-60	P90181	Intermediate-Polypro						X	
11517-43	P90182	Intermediate-Nylon				X	X		
11517-60	P90183	Intermediate-Polypro				X	X		
11518-60	P90185	Intermediate-Polypro	X	X	X				
11608-43	P90191	Air Valve Body-Nylon				X	X	X	
11608-60	P90192	Air Valve Body-Polypro				X	X	X	
11610-60	P90194	Air Valve Body-Polypro	X	X	X				

MFR. #	G/T #	DESCRIPTION	2"M	2"P	1.5"M	1"M	1"P	1/2"P	1/4"P
11703-43	P90203	End Plug (Air Valve), nylon		X		X	X	X	
11703-60	P90204	End Plug (Air Valve), polypro	X	X	X	X	X	X	
11903-13	P90627	Gasket, Manifold, Viton							X
11904-11	P90213	O-Ring (Valve Seat)						X	
11904-13	P90214	O-Ring (Valve Seat)						X	
11904-15	P90215	O-Ring (Valve Seat)						X	
11904-17	P90216	O-Ring (Valve Seat)						X	
11905-11	P90217	O-Ring (Manifold)						X	
11905-13	P90218	O-Ring (Manifold)						X	
11905-15	P90219	O-Ring (Manifold)						X	
11905-17	P90220	O-Ring (Manifold)						X	
11909-11	P90518	O-Ring Buna							X
11910-11	P90222	O-Ring (Valve Seat)				X	X		
11910-13	P90223	O-Ring (Valve Seat)				X	X		
11910-15	P90224	O-Ring (Valve Seat)				X	X		
11910-17	P90225	O-Ring (Valve Seat)				X	X		
11912-13	P90628	O-Ring, Valve Seats, Manifold, Viton				X	X		
11912-15	P90629	O-Ring, Valve Seats, Manifold, EPDM				X			
11912-17	P90227	O-Ring (Elbow)					X		
11913-11	P90228	O-Ring (Valve End Plug)	X	X	X	X	X	X	
11917-11	P90232	O-Ring (Elbow/Manifold)		X					
11917-15	P90233	O-Ring-EPDM 2" (Elbow/Manifold)		X					
11917-17	P90234	O-Ring (Elbow/Manifold) Encaps		X					
11919-11	P90630	O-Ring, End Spacer, Buna	X	X	X				
11919-16	P90237	O-Ring (Pilot Sleeve Spacer)	X	X	X				
11920-16	P90238	O-Ring (Pilot Sleeve Spacer)				X	X	X	
11922-15	P90630	O-Ring, EPDM		X					
11922-17	P90240	O-Ring (Elbow Manifold)		X					
11923-11	P90241	O-Ring (End Spacer)				X	X	X	
11926-11	P90243	O-Ring-Buna	X	X	X				
11926-15	P90244	O-Ring-EPDM	X	X	X				
11926-17	P90245	O-Ring Teflon Encaps	X	X	X				
11928-11	P90524	O-Ring-Buna							X
11928-13	P90632	O-Ring, Manifold Tube, Viton							X
11928-17	P90526	O-Ring Teflon							X
11928-23	P90527	O-Ring Santoprene							X
12000-11	P90246	Lip Seal (Diaphragm Rod)				X	X	X	X

MFR. #	G/T #	DESCRIPTION	2"M	2"P	1.5"M	1"M	1"P	1/2"P	1/4"P
12002-11	P90248	Lip Seal-Buna	X	X	X				
12003-11	P90249	Lip Seal (Air Valve)	X	X	X	X	X	X	
12102-10	P90253	Gasket (Muffler Plate)				X	X		
12103-11	P90254	Gasket (Inner)(Air Valve) Buna				X	X	X	
12105-10	P90256	Gasket (Muffler Plate)						X	
12106-11	P90257	Gasket (Inner)(Air Valve) Buna	X	X	X				
12108-10	P90259	Gasket (Muffler Plate)	X	X	X				
12109-11	P90260	Gasket (Outer)(Air Valve) Buna				X	X	X	
12110-11	P90261	Gasket (Outer)(Air Valve) Buna	X	X	X				
12111-11	P90529	Gasket, Buna							X
12111-24	P90530	Gasket, Santoprene							X
12111-59	P90532	Gasket, Teflon							X
12300-26	P90269	Flat Washer-Stainless Steel	X	X	X	X	X	X	X
12302-25	P90535	Flat Washer-Plated Steel	X	X	X				
12303-26	P90272	Flat Washer-Stainless Steel (3/8)				X	X		
12305-26	P90538	Washer							X
12350-26	P90273	Washer Lock-Stainless Steel (1/4)							
12500-26	P90275	Cap Screw-Stainless (1/4x1-3/4)							
12502-26	P90277	Cap Screw-Stainless Steel (1/4x8)						X	
12508-26	P90280	Cap Screw-Stainless Steel (3/8 x 9)				X	X		
12509-26	P90281	Bolt Carriage-Stainless(1/16x1-1/2)	X	X	X		X	X	
12510-26	P90282	Screw-Stainless Steel (6x1/2)	X	X	X	X	X	X	X
12512-26	P90284	Cap Screw-Stainless Steel(1/4x4-1/2)				X	X		
12513-26	P90286	Cap Screw-Stainless Steel(1/4x4")						X	
12515-26	P90288	Cap Screw-Stainless Steel (1/4x6")	X	X	X				
12517-26	P90552	Cap Screw							X
12522-26	P90556	Bolt, Stainless Steel	X		X				
12524-26	P90557	Screw, Stainless Steel							X
12525-26	P90633	Screw, (#8-1.25")							X
12600-26	P90290	Hex Nut-Stainless Steel (1/4-20)	X	X	X	X	X	X	X
12600-38	P90634	Lock Nut (1/4"-20)						X	
12601-26	P90291	Hex Nut-Stainless Steel (5/16-18)		X			X	X	
12602-26	P90293	Hex Nut-Stainless Steel (3/8-16)				X	X		
12604-26	P90563	Hex Nut, Plated Steel	X		X				
12605-26	P90564	Hex Nut, Plated Steel	X	X	X	X	X		
12708-40	P90302	Retaining Plate-Polypro (1/2"&1")				X	X	X	
12709-40	P90303	Retaining Plate-Polypro (2")	X	X	X				

MFR. #	G/T #	DESCRIPTION	2”M	2”P	1.5”M	1”M	1”P	1/2”P	1/4”P
12710-60	P90566	Seal Retainer, PP							X
12711-60	P90635	O-Ring, Retainer, Polypro							X
12900-26set	P90304	Clamp Set-Stainless Steel (1/2”&2”)						X	
12901-26set	P90305	Clamp Set-Stainless Steel (2”)	X	X	X				
12902-26set	P90306	Clamp Set-Stainless Steel (1”)		X		X	X		
12903-26set	P90307	Clamp Set-Stainless Steel (1”)					X		
12904-26set	P90308	Clamp Set-Stainless Steel (2”)	X	X	X				
13000-00	P90309	Muffler (all 1/2”)						X	
13001-00	P90310	Muffler (all 1” & 2”)	X	X	X				
13003-00	P90575	Muffler (all 1/4”)							X
13007-00	P90636	Muffler, 1”				X	X		
13100-43	P90313	Muffler Plate-Nylon						X	
13100-60	P90316	Muffler Plate-Polypro						X	
13102-43	P90319	Muffler Plate-Nylon				X	X		
13102-60	P90322	Muffler Plate-Polypro				X	X		
13107-60	P90328	Muffler Plate-Polypro	X	X	X				
13108-60	P90577	Muffler Cap, PP							X
13109-60	P90579	Air Inlet Cap, PP							X
13400-30	P90329	Air Flow Control Valve-Brass(1/2”&1”)				X	X	X	
13401-51	P90580	Air Flow Control Valve	X	X	X				
13408-51	P90583	Air Flow Control Valve				X	X	X	
32000-00	P90354	Diaphragm Rod Assembly (1”)				X	X		
33000-00	P90355	Diaphragm Rod Assembly (1/2”)						X	
35000-00	P90357	Diaphragm Rod Assembly (2”)	X	X	X				
39000-00	P90589	Diaphragm Rod Assembly							X
40000-43	P90360	Air Valve Retrofit Kit				X	X	X	
40000-60	P90362	Air Valve Assembly-Polypro				X	X	X	
41000-00	P90366	Pilot Sleeve Assembly (1/2”&1”)				X	X	X	
45000-43	P90367	Air Valve Assembly-Nylon		X					
45000-60	P90369	Air Valve Assembly-Polypro	X	X	X				
46000-00	P90371	Pilot Sleeve Assembly (2”)	X	X	X				
51000-00	P90590	Spring Clip Assembly							X
FR-1” MD	P90375	Filter Reg Manual							
FR 1/2” AD	P90376	Filter Reg Auto							
FR 1/2” MD	P90377	Filter Reg Manual							
FR-2” AD	P90378	Filter Reg Auto							

MFR. #	G/T #	DESCRIPTION	2”M	2”P	1.5”M	1”M	1”P	1/2”P	1/4”P
FR-2” MD	P90379	Filter Reg Manual							
FV2W	P90380	Flotation Valve							
P77413	P90388	Gauge, 1/2” & 1” Pumps							
P7816-42	P90389	Gauge, 2” Pumps							
PS 203 SB	P90390	Filter Replacements							
PS 209 SB	P90391	Mounting Plate							
AL-10 KIT	P90404	AL-10 Repair Kit							
AL-10E KIT	P90405	AL-10E Repair Kit							
AL-10T KIT	P90406	AL-10T Repair Kit							
AL-15/20	P90410	AL-15/20 Repair Kit							
AL-15E/20E	P90411	AL-15E/20E Repair Kit							
AL-15T/20T	P90412	AL-15T/20T Repair Kit							
BK-025 KIT	P90401	BK-025 Repair Kit							
BK-5 KIT	P90374	BK-5 Repair Kit (See note 1 below)							
BK-10 KIT	P90372	BK-10 Repair Kit (See note 2 below)							
BK-20 KIT	P90373	BK-20 Repair Kit (See note 3 below)							
KN-025 KIT	P90403	KN-025 Repair Kit							
KN-5 KIT	P90384	KN-5 Repair Kit (See note 1 below)							
KN-10 KIT	P90381	KN-10 Repair Kit (See note 2 below)							
KN-10V KIT	P90382	KN-10V Repair Kit (See note 2 below)							
KN-20 KIT	P90383	KN-20 Repair Kit (See note 3 below)							
NC-025 KIT	P90400	NC-025 Repair Kit							
NC-5 KIT	P90387	NC-5 Repair Kit (See note 1 below)							
NC-10 KIT	P90385	NC-10 Repair Kit (See note 2 below)							
NC-20 KIT	P90386	NC-20 Repair Kit (See note 3 below)							
RD-025 KIT	P90402	RD-025 Repair Kit							
RD-5 KIT	P90394	RD-5 Repair Kit (See note 1 below)							
RD-10 KIT	P90392	RD-10 Repair Kit (See note 2 below)							
RD-20 KIT	P90393	RD-20 Repair Kit (See note 3 below)							
SL-5 KIT	P90396	SL-5 Repair Kit (See note 1 below)							
SL-10 KIT	P90395	SL-10 Repair Kit (See note 2 below)							
ST-10 KIT	P90407	ST-10 Repair Kit							
ST-10E KIT	P90408	ST-10E Repair Kit							
ST-10B KIT	P90409	ST-10B Repair Kit							
ST-15/20	P90413	ST-15/20							

MFR. #	G/T #	DESCRIPTION	2"M	2"P	1.5"M	1"M	1"P	1/2"P	1/4"P
ST-15E/20E	P90414	ST-15E/20E							
ST-15B/20B	P90415	ST-15B/20B							
60000-20	P90637	1-1/2" Aluminum Flange Kit							
61000-20	P90638	2" Aluminum Flange Kit							
	NOTE 1:	-5 kits contain:							
		4 balls, 4 valve seats, 4 manifold o-rings, 4 valve seat o-rings, 2 diaphragms, and 2 optional Teflon overlays.							
	NOTE 2:	-10 kits contain:							
		4 balls, 8 o-rings, 4 valve seats, 2 diaphragms, and 2 optional Teflon overlays, gasket for KN-10.							
	NOTE 3:	-20 kits contain:							
		4 balls, 4 manifold o-rings, 4 valve seat o-rings, 2 diaphragms, and 2 optional Teflon overlays.							

LIMITED THREE YEAR WARRANTY

Your Gasboy International Air Diaphragm Pump is warranted to the original end user against defects in workmanship or materials under normal use (rental use excluded) for three years after date of purchase. Any pump which is determined to be defective in material and/or workmanship and returned to Gasboy, shipping costs prepaid, will be repaired or replaced at Gasboy International's option.

Gasboy has made a diligent effort to accurately illustrate and describe the product in its product literature. However, such illustrations and descriptions are not a warranty. THE ABOVE EXPRESS WARRANTY IS IN LIEU OF AND EXCLUDES ALL OTHER WARRANTIES, EXPRESSED OR IMPLIED, INCLUDING, WITHOUT LIMITATION, MERCHANTABILITY OR FITNESS FOR A PARTICULAR PURPOSE.

This warranty does not cover failure of parts or components due to normal wear or damage or failure which in the judgment of Gasboy arises from misuse, abrasion, corrosion, negligence, accidental damage, faulty installation or tampering. If Gasboy's inspection disclosed no defect in material or workmanship, repair or replacement will be made at customary charges.

Purchaser shall give written notice of any claim to GASBOY within ten days after discovery of any alleged defect. Gasboy's liability is that exclusively stated herein, and Gasboy shall not be liable for any special, indirect, incidental, or consequential damages, including but not limited to, damages related to the ground, ground water, underground or environment, loss of product, clean up costs, or loss of profit, other losses, delays, labor costs or any other expense directly or indirectly arising from use of pump, its liability being expressly limited to the replacement or repair of any defective pump or an allowance of credit therefore. The remedy and recovery of the purchaser on any claim against Gasboy International, whether based on contract, this warranty or any alleged negligence shall be stated and limited herein and shall be exclusive.