

67B Wiring Diagram for RS-422 Communication

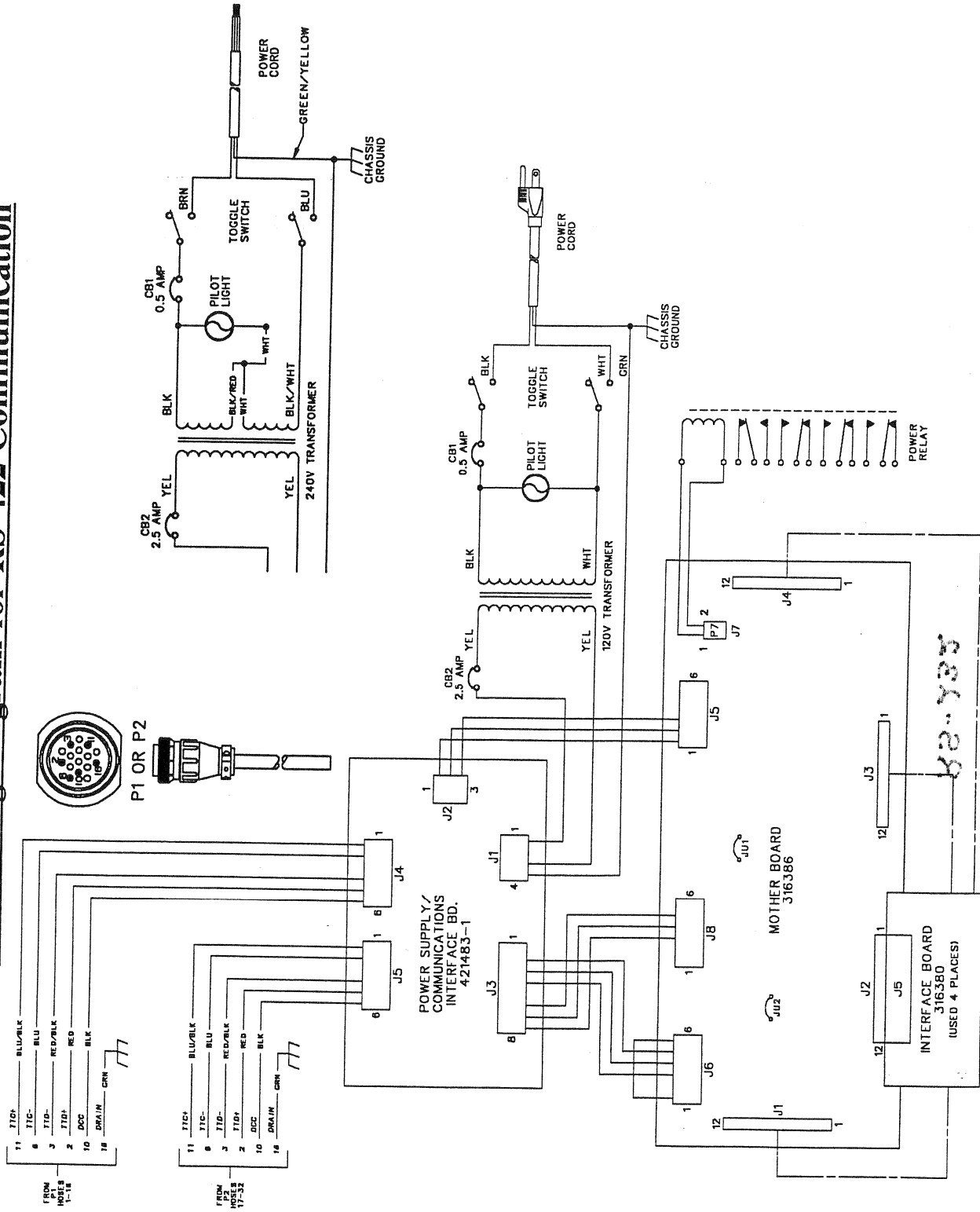


figure 5

67B Wiring Diagram for Tokheim Proprietary Communication RS-232

EMER = EMERGENCY (ALL STOP)
 TTD = TALK TO DISPENSER
 TTC = TALK TO CONSOLE
 DCC = DC COMMON
 E GND = EMERGENCY GROUND (ALL STOP)

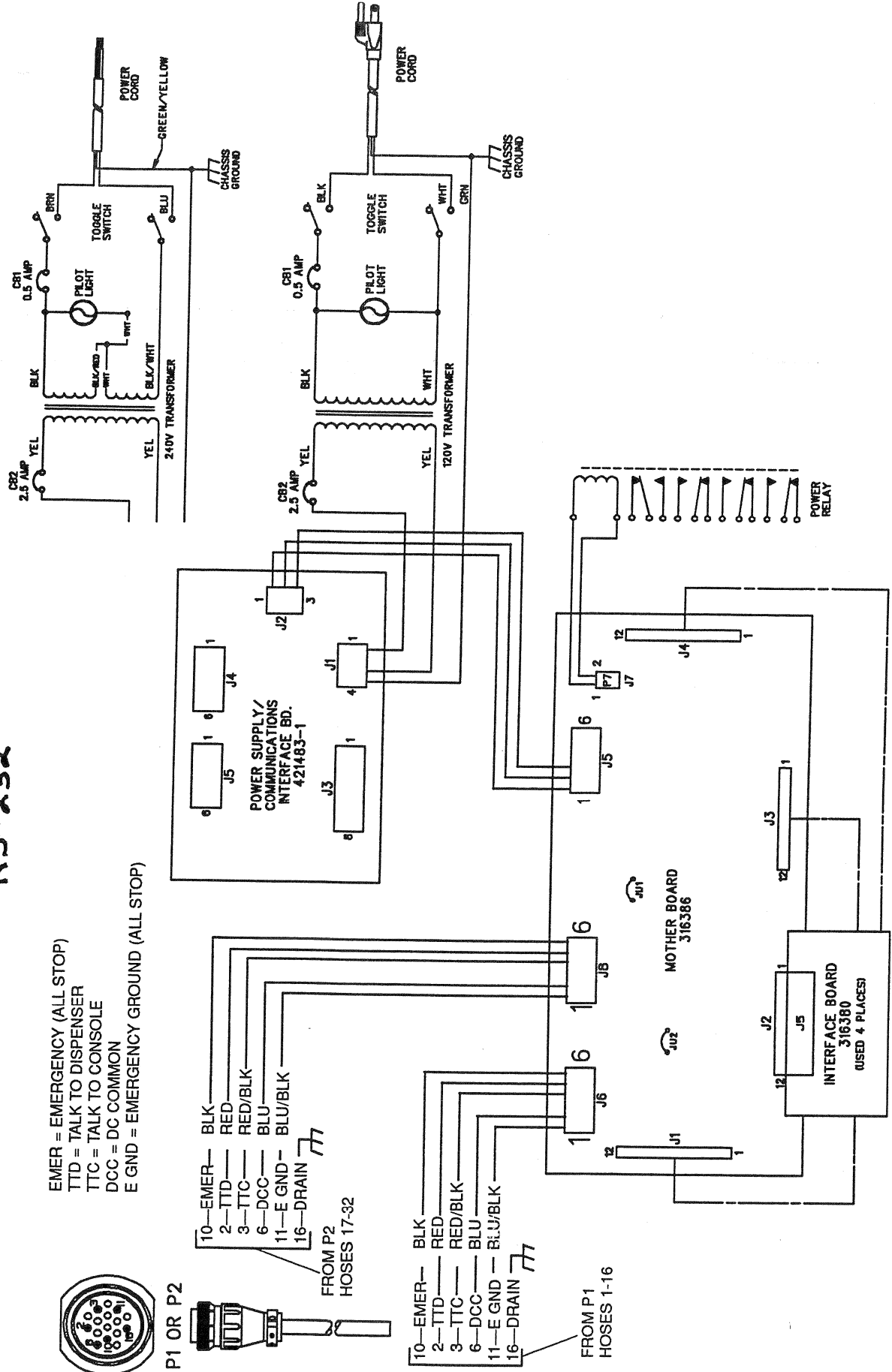


figure 6