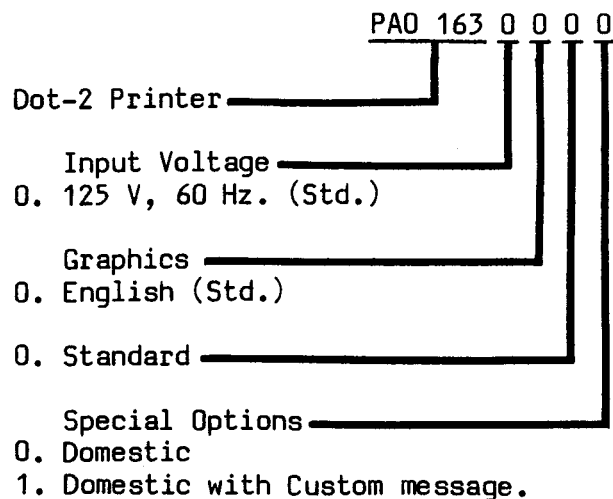


# Gilbarco Parts List

PT1510A

## DOT-2 Printer



**IMPORTANT WHEN ORDERING REPLACEMENT PARTS, ONLY PARTS INDICATED (BY SYMBOLS) CAN BE REPLACED IN THE FIELD. IF OTHER THAN THESE PARTS REQUIRE REPLACING, CONTACT GILBARCO INC. THE "PAO" MODEL CODE NUMBER & ALL INFORMATION STAMPED ON NAME PLATE MUST BE GIVEN.**

Gilbarco Inc. • 7300 W. Friendly Ave., P.O. Box 22087, Greensboro, NC 27420  
Phone (910) 547-5000 FAX (910) 292-8871 Telex 4949970

# INDEX

<b>Page 1</b>	<b>Console Assembly</b>	<b>PLATE 1</b>
<b>Page 2</b>	<b>Printer Assembly</b>	<b>PLATE 7</b>
<b>Page 3</b>	<b>Printer Assembly Parts</b>	
<b>Page 4</b>	<b>Electronics Assembly</b>	<b>PLATE 3</b>
<b>Page 5</b>	<b>Journal Take-up Assembly</b>	<b>PLATE 8</b>
	<b>Regulator P.C.B</b>	<b>PLATE 33a.</b>
<b>Page 6</b>	<b>Processor P.C.B</b>	<b>b.</b>
	<b>Display P.C.B</b>	<b>c.</b>
	<b>Driver P.C.B</b>	<b>d.</b>

## WARNING

This equipment generates, uses, and can radiate radio frequency energy and if not installed according to instructions in this manual, may cause interference to radio communications. It has been tested and found to comply with the limits for a Class A computing device pursuant to Subpart J of Part 15 of FCC Rules, which are designed to provide reasonable protection against such interference when operated in a commercial environment. Operation of this equipment in a residential area is likely to cause interference in which case the user at his own expense will be required to take whatever measures may be required to correct the interference.

This document is subject to change without notice. Considerable effort is expended to make it a valuable source of information and reference. However, it is not meant to be a substitute for adequate technical training for those involved in the installation and service of this equipment.

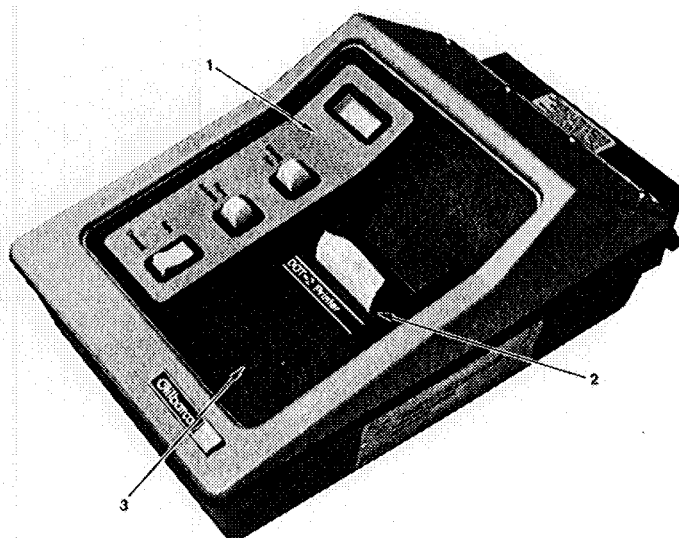
All Gilbarco computer programs (including software on diskettes and within memory chips) are copyrighted by and shall remain the property of Gilbarco Inc. Such computer programs may also contain trade secret information. Duplication, disclosure, modification, or unauthorized use of such computer programs is strictly prohibited, unless otherwise licensed by Gilbarco.

Copyright© 1987 Gilbarco Inc.  
All Rights Reserved

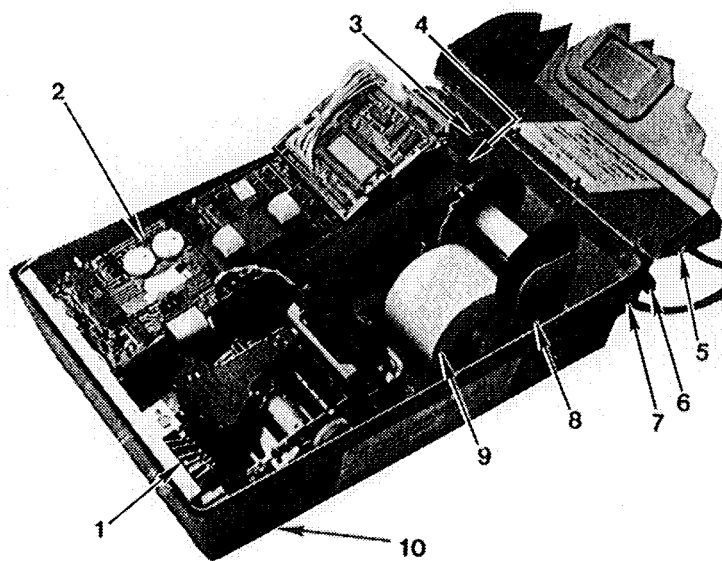
TDP0007E

**HLM**

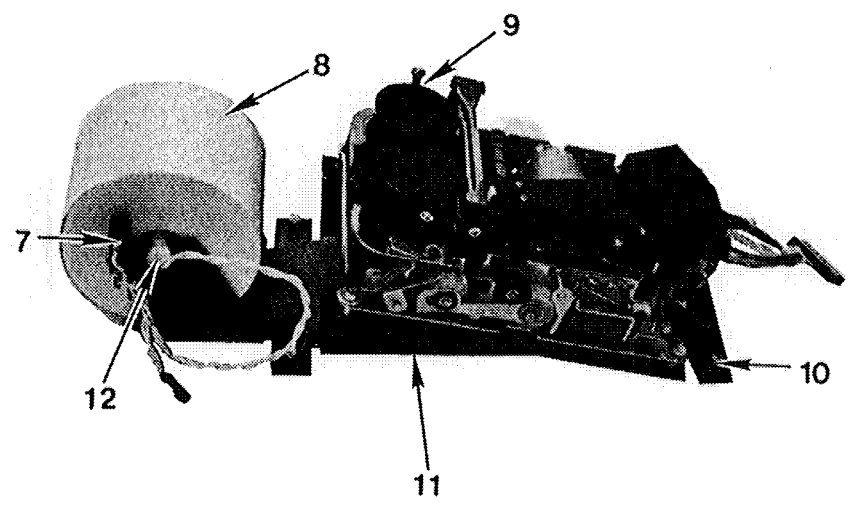
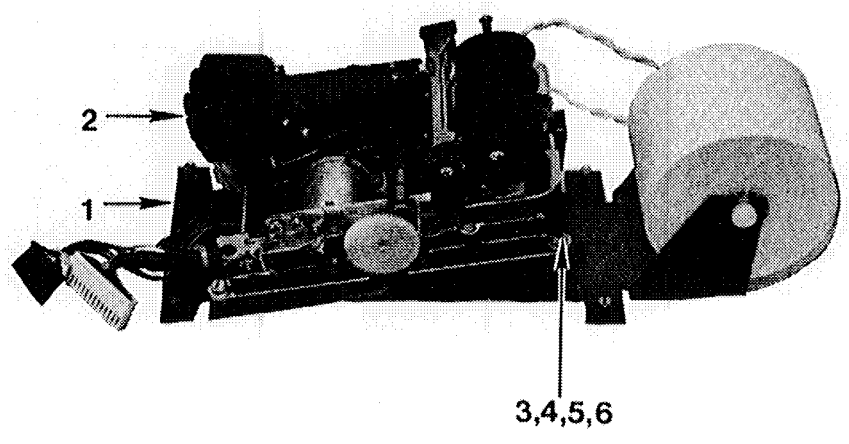
# CONSOLE ASSEMBLY



CODE NO.	NO. REQ.	SYMBOL NO.	DESCRIPTION
1.	1	R17061-01	Cosmetic Cover
2.	1	N21114	Paper Tear Bar
3.	1	T12857-02	Cosmetic Cover



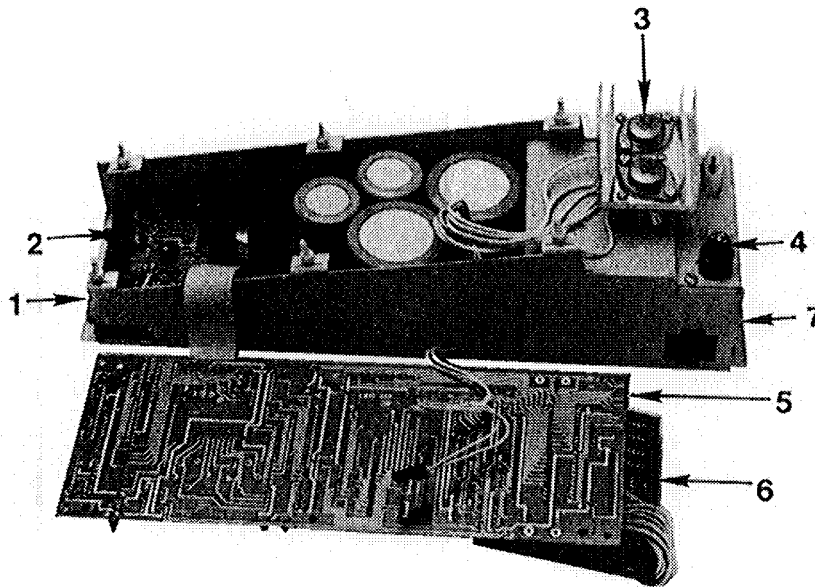
CODE NO.	NO. REQ.	SYMBOL NO.	DESCRIPTION
1.	1	T14594-G1	Drive Bd. Assy. (Reference Plate #33d.)
2.	1	T14600-G1	Electronics Assy. (Reference Plate #3)
3.	1	R17306-G1	Data Cable Assy. (Connector P1; connector J3 to Processor Bd.)
4.	1	Q10131-11	Fuse (1.5 amp, 250V SLO BLO)
5.	1	T12871-G2	Top Cover Assy.
6.	1	Q10131-19	Fuse (3 amp, 250V)
7.	1	T14901-G1	Line Filter Assy.
8.	1	T12882-G2	Journal Take-up Assy. (Reference Plate #8)
9.	1	Q11206-	Paper Roll
		-01	Single Ply
		-02	Two Ply
10.	1	Q10225-04	Rubber Feet



# PRINTER ASSEMBLY PARTS

PLATE 7

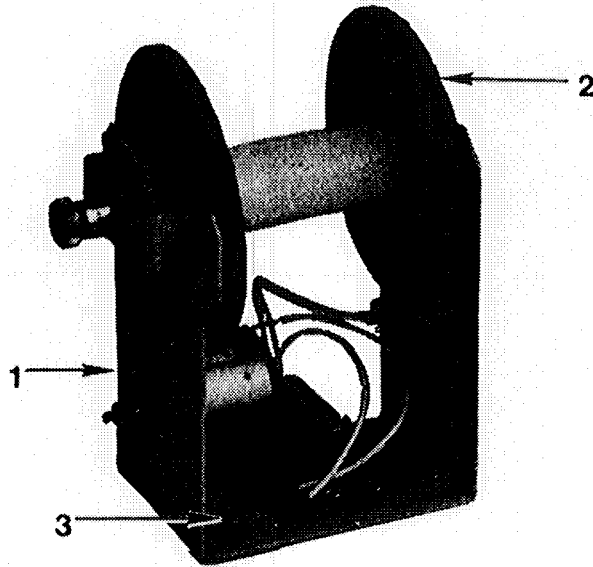
CODE NO.	NO. REQ.	SYMBOL NO.	DESCRIPTION
1.	1	T14602-G1	Printer assy. (does not include items 8, 9 & 12)
2.	1	R16735-01	Printer (does not include item #9)
3.	4	Q10111-38	Pan head screw (6-32x5/8" lg.)
4.	4	K65235-23	Flat washer #6
5.	4	K22804	Int. Lockwasher #6
6.	4	Q10385-01	Spacer washer
7.	1	R15332-G1	Switch and cable assy.
8.	1	Q11206-	Paper (not part of item #1)
		-01	Single ply
		-02	Two ply
9.	1	Q11408-	Ribbon (not part of item #1)
		-01	Black ribbon
		-02	Purple ribbon
10.	1	Q10610-02	Captive screw (6-32)
11.	1	T14598-G1	Printer bracket
12.	1	N21960	Paper roll rod (not part of item #1)



CODE NO.	NO. REQ.	SYMBOL NO.	DESCRIPTION
1.	1	T14600-G1	Electronics assy.
2.	1	T14591-G1	Regulator Bd. assy. (Reference plate #33a)
3.	1	R16888-G2	Transistor-cable assy.
4.	1	Q10131-11	Fuse (1.5 amp, 250V SLO BLO)
5.	1	T14588-G13	Processor Bd. assy. (Reference plate #33b)
6.	1	T12877-G1	Display Bd. Assy. (Reference plate #33c)
7.	1	R16901-G1	Transformer Assy.

# JOURNAL TAKE-UP ASSEMBLY

PLATE 8

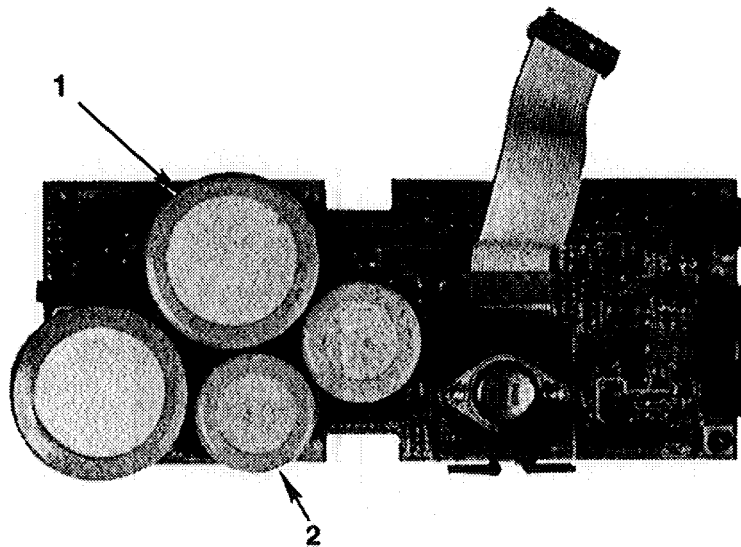


CODE NO.	NO. REQ.	SYMBOL NO.	DESCRIPTION
1.	1	T12882-G2	Journal Take-up assy.
2.	1	R16735-01	Paper reel and disc assy.
3.	4	Q10610-02	Captive screw (#6-32)

# PRINTED CIRCUIT BOARDS

PLATE 33a

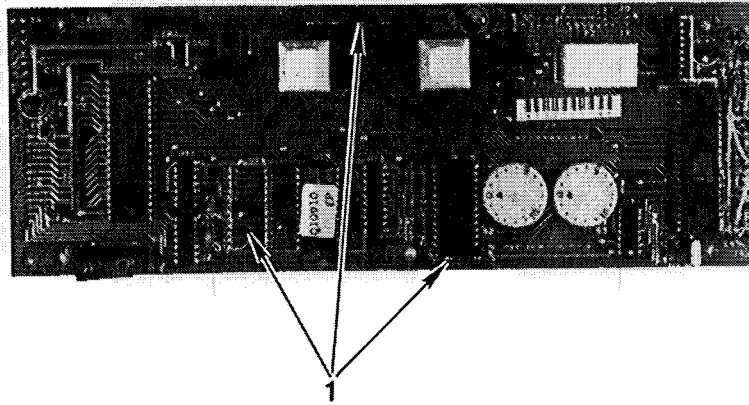
## REGULATOR P.C.B. T14591-G1



CODE NO.	NO. REQ.	SYMBOL NO.	DESCRIPTION
1.	2	Q10271-24	Capacitor 4500 uf, 60V (C2, C3)
2.	2	Q10271-25	Capacitor 4500 uf, 25V (C4, C13)

**PROCESSOR P.C.B. T14588-G1**

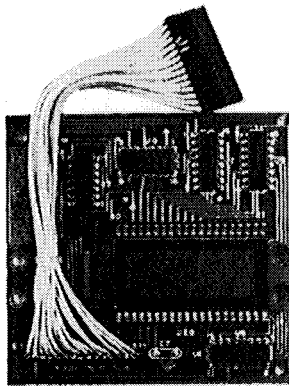
**PLATE 33b**



CODE NO.	NO. REQ.	SYMBOL NO.	DESCRIPTION
1.	8	Q10890-01	Jumper Jack (with handle)
2.	1	Q10910-14	Custom message Rom (U13)

**DISPLAY P.C.B. T12877-G1**

**PLATE 33c**



**DRIVER P.C.B. T14594-G1**

**PLATE 33d**

