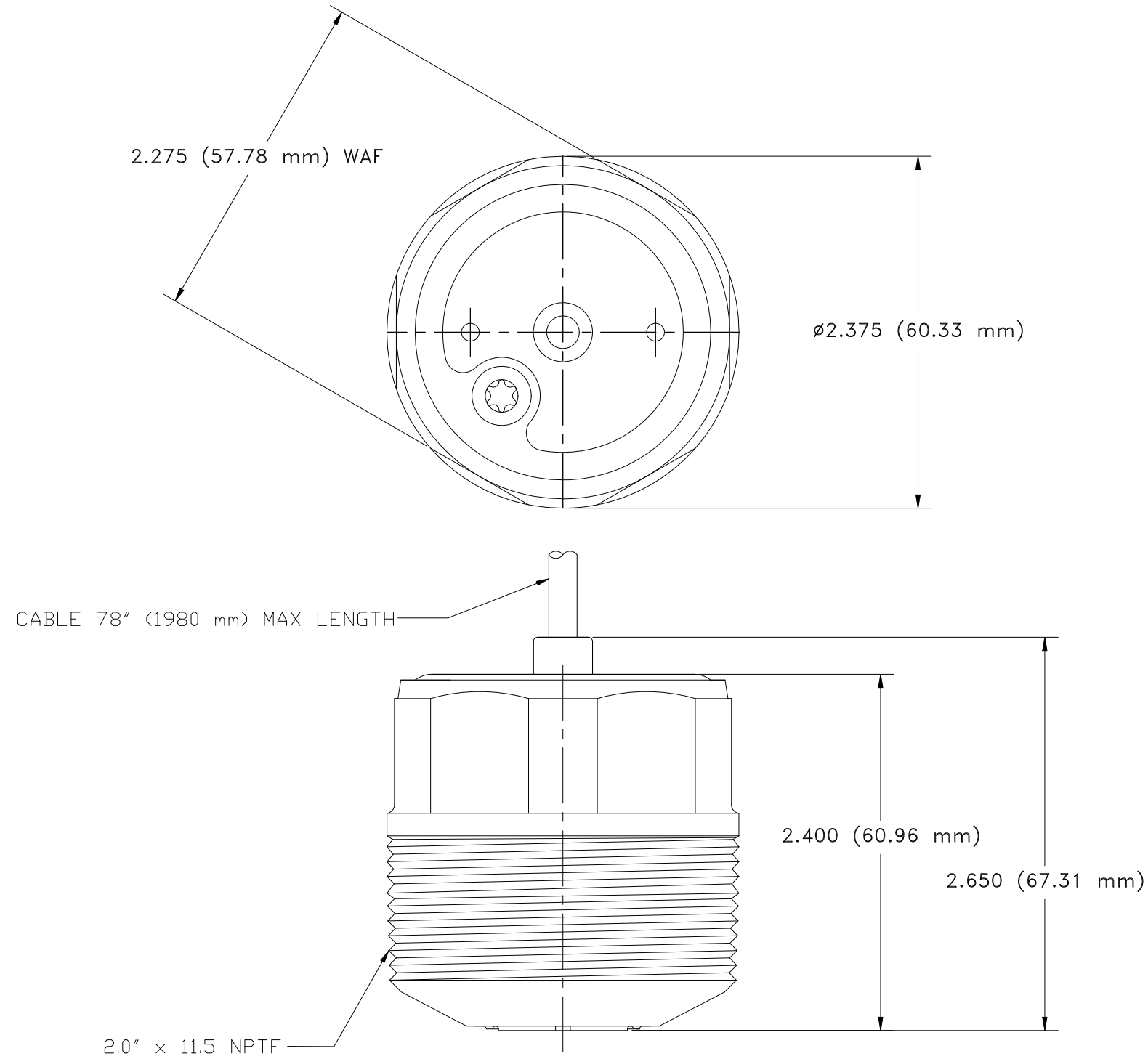



REV	DESCRIPTION	BY	DATE	ECO
A	INITIAL RELEASE	TKR	2013/08/15	



1. DIMENSIONAL TOLERANCES DO NOT APPLY

DO NOT SCALE DRAWING				
	NAME	DATE	NEXT GRP.	-----
DESIGNER	T. REID	2013/08/05	ASSEMBLY	-----
PROJECT	D. HALLA	2013/08/05	FORM NO	-----
MATERIAL	 SIMSBURY, CONNECTICUT 06070 U.S.A.			
NOTICE - THIS DOCUMENT IS THE PROPERTY OF THE VEEDER-ROOT COMPANY AND IS NOT TO BE DISCLOSED, REPRODUCED IN WHOLE OR IN PART, OR USED FOR MANUFACTURE BY ANYONE WITHOUT VEEDER-ROOT'S WRITTEN CONSENT.				
REFERENCE MFG. SPEC. VRS 81005 WHERE IT IS APPLICABLE	EXTERIOR DIMENSIONS DIGITAL PLLD SENSOR			
UNSPECIFIED TOLERANCES +/- .005	SIZE D	DRAWING NUMBER 333526-001	REV. A	STATUS REL
SCALE FULL		SHEET 1 OF 1		