

Introduction

Purpose

This manual contains parts list of L1-replaceable components for FlexPay™ 6 A1-05 (G6-300).

Intended Audience

This manual is intended for Invenco-trained, certified Authorized Service Contractors (ASCs), field, and in-house service technicians supporting FlexPay 6 A1-05 (G6-300).

Note: This manual is available for download by ASCs on Gilbarco Online Documentation (GOLDSM).

Responsibilities and Authorities

Role	Responsibility
Field Technicians	An individual who repairs or troubleshoots system issues on the Outdoor Payment Terminal (OPT), in the field.
Service Technicians	An individual who repairs or troubleshoots various types of issues on the OPT inside a secure service location.

Definition

Role	Responsibility
L1 Location	A service location that can perform limited-service tasks that do not interfere with any loss of certification or activation of tamper grids.

Abbreviations and Acronyms

Term	Description
ASC	Authorized Service Contractor
GOLD	Gilbarco Online Documentation
OPT	Outdoor Payment Terminal



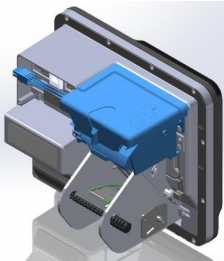

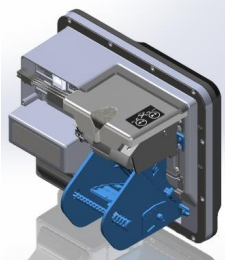

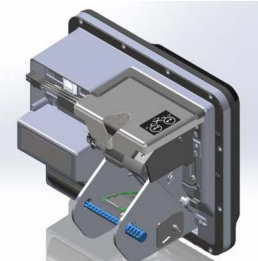

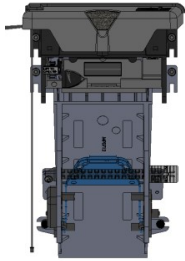

Table of Contents

Topic	Page
Introduction	1
Parts List	3

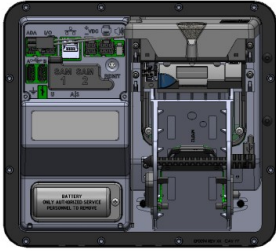



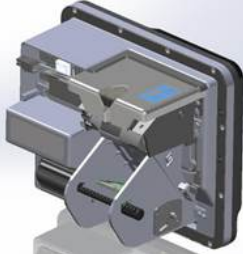





Document History



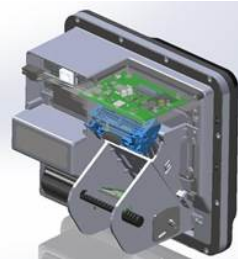

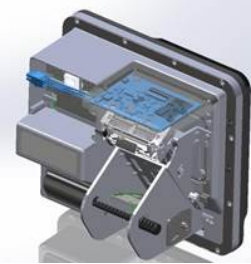

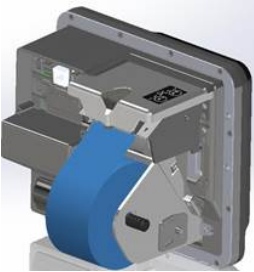



Revision	Date	Change Summary	Author
A	19/02/2026	Initial release	Matt L

Parts List



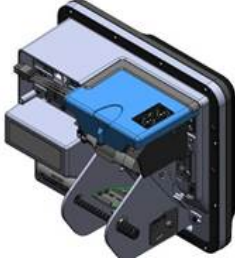







Location	Item	Recommended Part for L1 Location	Part No	Description
		Yes	MZ0143	Assy, Battery Cover, G6-300S
		Yes	EZ0479	Kit, Printer Assy, G6-300S, and FW
		Yes	EZ0480	Assy, Paper Chute, G6-300
		Yes	MP0764	Spindle Paper Roll, Plastic, G6-300
		Yes	SP0562	Kit, Printer Springs, and Clip on plastic, G6-300





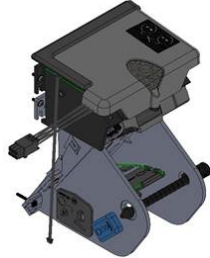

Parts List

Location	Item	Recommended Part for L1 Location	Part No	Description
		Yes	DL0024	Label, Printer Align Arrows
		Yes	DL0048	Label, Printer Open
		Yes	DL0247	Label, Printer Button, G6-300
		Yes	DL0279	Decal, Credit Card Icon, Black, G6-300
		Yes	DL0271	Decal, Black, Printer, and BCR, G6-300

Location	Item	Recommended Part for L1 Location	Part No	Description
		-	MP0783	Gasket, Printer Assy Seal, G6-300
		-	EO0060	Printer, OEM, G6-300
		-	EB0288	FPC, Display Controller to Connector Board, High-speed, G6-300, and FW
		-	CP0002	Paper Thermal 57WX110DIA Std Roll - Outdoor - 80GSM
		-	MP0722	Printer Mount, G6-300

Parts List

Location	Item	Recommended Part for L1 Location	Part No	Description
		-	MP0724	Paper Guide, Printer Assy, G6-300
		-	MP0723	Cover, Printer Assy, G6-300
		-	EK0185	Cable, Paper Out Sensor to Printer Controller PCBA, G6-300
		-	MP0713	Paper Chute, Inner, Printer Assy, G6-300
		-	MP0712	Paper Chute, Outer, Printer Assy, G6-300

Location	Item	Recommended Part for L1 Location	Part No	Description
		-	MP0725	Spring Holder, Left, Printer Assy, G6-300
		-	MP0726	Spring Holder, Right, Printer Assy, G6-300
		-	MP0776	Kit, Paper Low Sensor Cover, G6-300S

Gilbarco® is a registered trademark of Gilbarco Inc. FlexPay™ is a trademark of Gilbarco Inc. GOLDSM is a service mark of Gilbarco Inc.

All product names, logos, and brands are the property of their respective owners and are for identification purposes only. Use of these names, logos, and brands does not imply endorsement.



© 2026 Invenco Group Limited. All rights reserved

[invenco.com](https://www.invenco.com)

MDE-5840A FlexPay™ 6 A1-05 (G6-300) L1 Parts List · April 2026