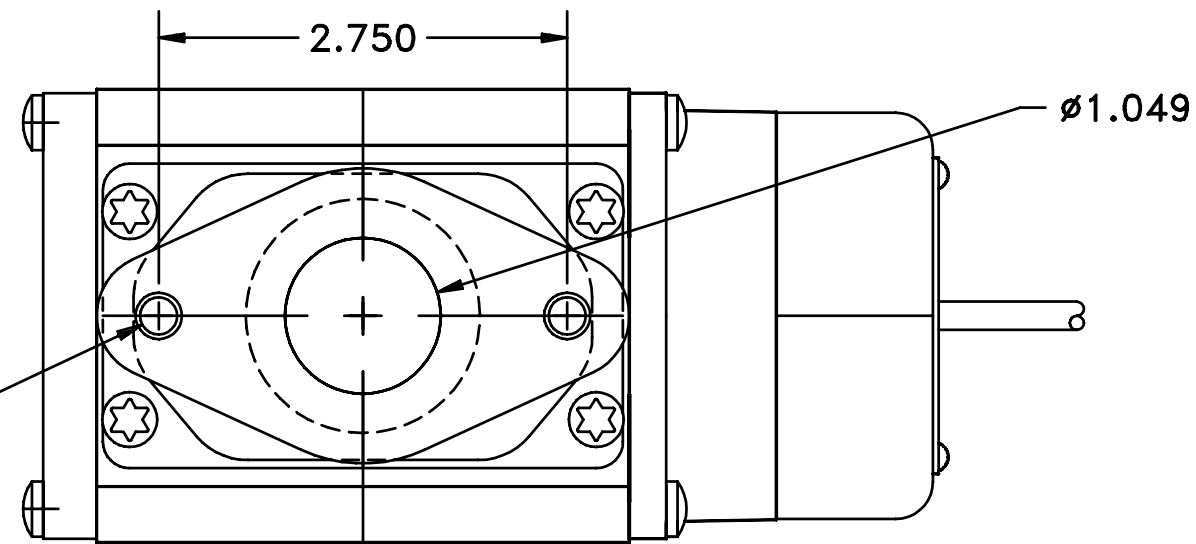
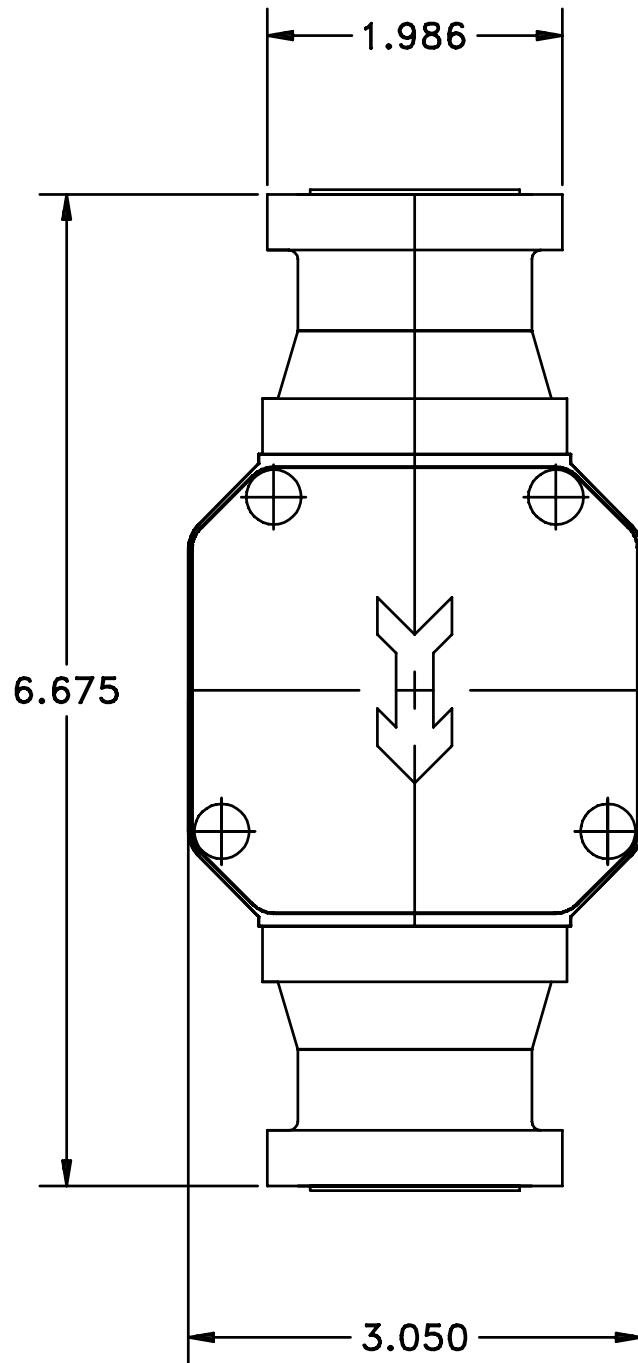
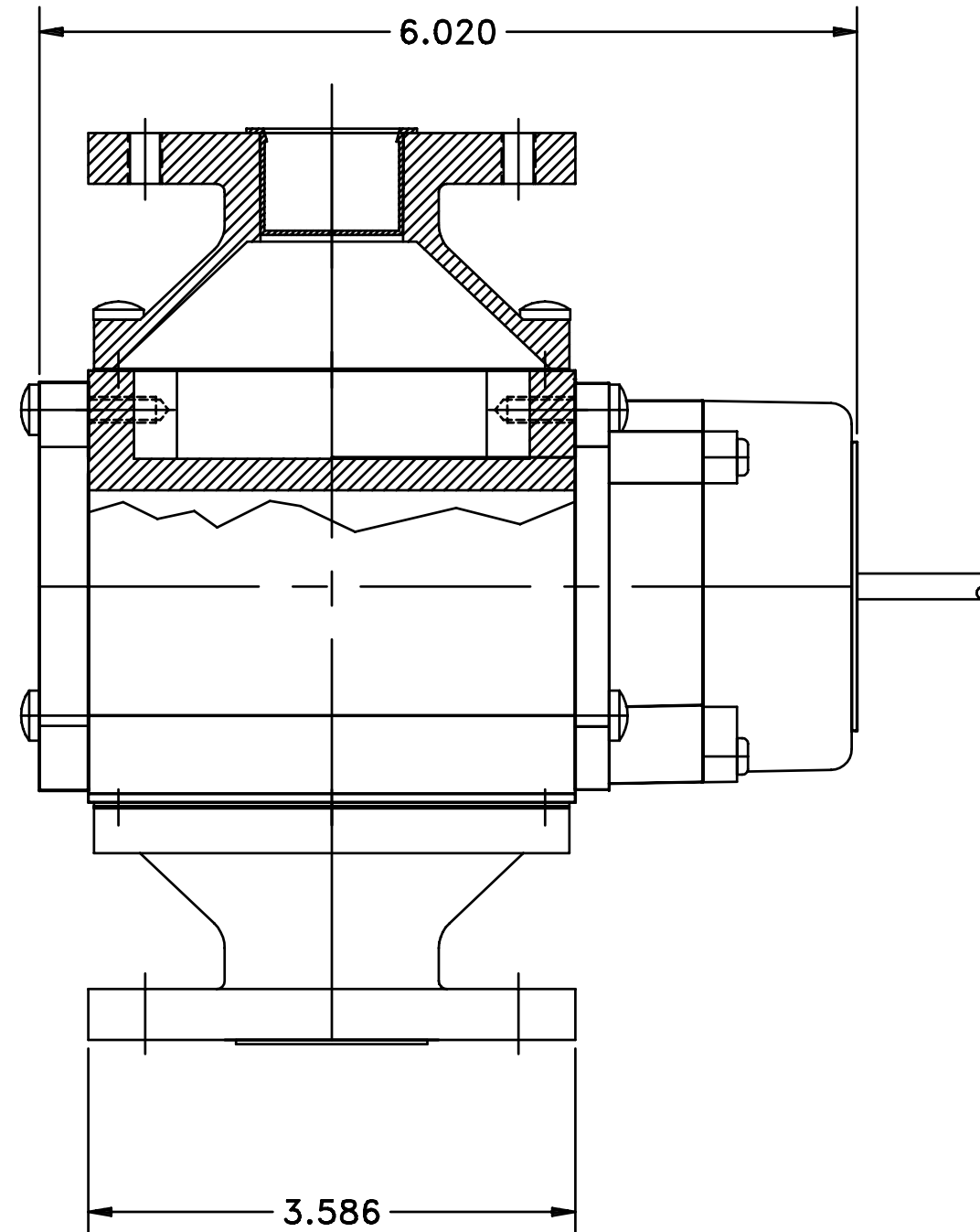



REV	DESCRIPTION	BY	DATE	ECO
A	INITIAL RELEASE	TB	1/28/05	Z074-001



5/16-18UNC-2B
2 PLACES
EACH FLANGE



DO NOT SCALE DRAWING				
DESIGNER	NAME	DATE	NEXT GRP.	-----
BREEN	BREEN	1/28/05	ASSEMBLY	-----
PROJECT	BEVINS	1/28/05	FORM NO	-----
MATERIAL			SIMSBURY, CONNECTICUT 06070 U.S.A.	
<small>NOTICE - THIS DOCUMENT IS THE PROPERTY OF THE VEEDER-ROOT COMPANY AND IS NOT TO BE DISCLOSED, REPRODUCED IN WHOLE OR IN PART, OR USED FOR MANUFACTURE BY ANYONE WITHOUT VEEDER-ROOT'S WRITTEN CONSENT.</small>				
REFERENCE MFG. SPEC. VRS 81005 WHERE IT IS APPLICABLE	EXTERIOR DIMENSION DWG ISD FLOWMETER			
UNSPECIFIED TOLERANCES +/- 0.005	SIZE C	DRAWING NUMBER 332377-001	REV. A	STATUS NFP
SCALE FULL		SHEET 1 OF 1		